



Suburban
Manufacturing Company

a division of AIRXCEL, Inc.

SUBURBAN MANUFACTURING COMPANY

676 Broadway Street
Dayton, Tennessee 37321
423-775-2131

www.rvcomfort.com



**SUBURBAN GAS FURNACES
INSTALLATION INSTRUCTIONS FOR**

MODELS

SF-20 • SF-25 • SF-30 • SF-35 • SF-42



The design of the furnace has been listed for installation in recreational vehicles only. In order for the furnace to operate in conformity with generally accepted safety regulations, the installation instructions must be followed. Failure to comply with the installation instructions will void the warranty on the furnace and any responsibility on the part of Suburban Manufacturing Company.

The furnace was inspected before it left the factory. If any parts are found to be damaged, do not install the furnace. Immediately contact the transportation company and file a claim.

FOR YOUR SAFETY

WHAT TO DO IF YOU SMELL GAS:

- Extinguish any open flame.
- Evacuate all persons from the vehicle.
- Shut off the gas supply at the gas container or source.
- Do not touch any electrical switch, or use any phone or radio in the vehicle.
- Do not start the vehicle's engine or electric generator.
- Contact the nearest gas supplier or qualified service technician for repairs.
- If you cannot reach a gas supplier or qualified service technician, contact the nearest fire department.
- Do not turn on the gas supply until the gas leak(s) has been repaired.

WARNING! Improper installation, adjustment, alteration, service or maintenance can cause property damage, personal injury or loss of life. Refer to the installation instructions and/or owners manual provided with this appliance. Installation and service must be performed by a qualified installer, service agency or the gas supplier.

WARNING! Be sure the furnace and all ignition systems are "OFF" during any type of refueling and while vehicle is in motion or being towed.

This book contains instructions covering the operation and maintenance of your furnace.

INSTALLER: LEAVE THIS MANUAL WITH THE APPLIANCE.

CONSUMER: RETAIN THIS MANUAL FOR FUTURE REFERENCE.

Should you require further information, contact your dealer or nearest Suburban Service Center.

INSTALLATION INSTRUCTIONS

WARNING! Installation of this appliance must be made in accordance with the written instructions provided in this manual. No agent, representative or employee of Suburban or other person has the authority to change, modify or waive any provision of the instructions contained in this manual.

These furnaces are designed and installed in such a manner as to be removable only from the exterior of the recreational vehicle.

CAUTION: If possible, do not install the furnace to where the vent can be covered or obstructed when any door on the trailer is opened. If this is not possible, then the travel of the door must be restricted in order to provide a 6" minimum clearance between the furnace vent and any door whenever the door is opened.

NOTE: The exhaust temperature of this furnace could discolor or warp some materials. You should verify that the material used on the coach door, panel, or cover will not discolor or warp from the exhaust temperature whenever any door, panel, or cover is in the open position.

CAUTION: Due to the differences in vinyl siding, this appliance should not be installed on vinyl siding without first consulting with the manufacturer of the siding or cutting the siding away from the area around the appliance vent.

CAUTION: In any installation in which the vent of this appliance can be covered due to the construction of the RV or some special feature of the

FOR YOUR SAFETY

DO NOT STORE OR USE GASOLINE OR OTHER FLAMMABLE VAPORS AND LIQUIDS IN THE VICINITY OF THIS OR ANY OTHER APPLIANCE.

RV such as slide out, pop-up etc. always insure that the appliance cannot be operated by setting the thermostat to the positive "OFF" position and shutting off all electrical and gas supply to the appliance. Never operate furnace with vent covered.

CAUTION: This furnace was shipped from the factory set up for the gas connection to be made at the right rear of the unit as illustrated in Figure 1. If you wish to make gas connection through the top of cabinet, you must remove furnace from cabinet and turn gas inlet fitting 90° CLOCKWISE. DO NOT TURN FITTING COUNTER-CLOCKWISE, this will loosen fitting and result in a gas leak.

WARNING! Hold manifold firmly when turning elbow to prevent any force from being inserted on the valve and to prevent any leaks from developing. Be sure to check all fittings for leaks including the inlet and outlet on the valve before reinstalling furnace into cabinet. Correct all leaks immediately. NOTE: The furnace must be in operation to properly check for leaks.

NOTE: These furnaces must be installed and vented as described in this manual so that the negative pressure created by the air circulating (return air) fan cannot affect the combustion air intake or venting of any other appliance. It is imperative that the products of combustion be properly vented to the atmosphere and that all combustion air supplied to burner be drawn from the outside atmosphere. (See Installing Vent Assembly.)

NOTE: Do not install the furnace with the vent facing toward the forward end of the coach.

IMPORTANT: If this furnace is to be connected to a common duct system also serving a cooling unit, a manual or automatic damper is required to prevent any cold conditioned air from circulating back into the furnace. Cold air passing over the furnace combustion chamber during the operation of the cooling unit can result in the formation of condensation inside the furnace combustion chamber. This condensation may promote corrosion and premature failure of the combustion chamber.

NOTE: These furnaces shall be installed so the electrical components are protected from water.

These furnaces are design certified for propane/LP gas only. Do not attempt to convert to natural gas.

Gas supply pressure for purposes of input adjustment:
 Minimum - 11" W.C.* Maximum - 13" W.C. *
 (W.C.* - Water Column).

In the U.S.A., the installation of the furnace must be in accordance with local codes and regulations. In the absence of local codes and regulations, refer to the latest edition of:

1. Standard for Recreational Vehicles NFPA 1192.
2. National Fuel Gas Code ANSI Z223.1.
3. Furnace must be electrically grounded in accordance with the latest edition of the National Electrical Code NFPA 70.

In Canada, the furnace must be installed in accordance with:

1. Standard CSA Z240.0.2-08 Recreational Vehicles.
2. CSA Standard Z240.6.2-08 C22.2 NO.148-08 Electrical Requirements for Recreational Vehicles.
3. Standard Z240.4.2-08 Installation Requirements for Propane Appliances and Equipment in Recreational Vehicles.
4. CAN/CGA-B149 Installation Codes.
5. Any applicable local codes and regulations.

This unit is equipped with an electric igniter device that has an energy consumption of .1 amp @ 12 volts D.C.

WARNING! Extension tubes cannot be used. If you try to extend the vent, it will result in improper installation which could cause unsafe furnace operation.

There are three (3) methods described below for installing the furnace. Regardless of the method you choose, we require an opening be provided in the exterior of the trailer or motor home for free, unobstructed removal of the furnace. This exterior, removable panel or wall section of the trailer or motor home must be a minimum of 17-3/4 x 8.

It is important that adequate return air be provided to assure normal heating and operation of the furnace. Failure to provide the minimum return air will cause erratic furnace cycling. Refer to the chart shown below for minimum return air requirements.

Return Air Requirements	
Model	Minimum Free (unobstructed) Area
SF-20/25/30/35	55 Sq. In.
SF-42	142 Sq. In.* <small>*May be reduced to 88 sq. in. min. if 5 ducts are used.</small>

TABLE 1

NOTE: Return air must be from within the living area of the coach.

NOTE: RV's that have a wall of separation to a cargo area (Toy Box) to transport internal combustion engine vehicles must not have return air openings from this area.

A. INSTALLATION DIRECTLY AGAINST OUTER PANEL OF COACH (See Figure 1) (Panel supplied by installer)

Maximum wall thickness for this type installation is 2".

1. Locate the furnace near lengthwise center of the coach.
2. Choose a location for installation out of the way of wires, pipes, etc., which might interfere with the installation. Adhere to the minimum clearances from the cabinet to combustible construction as listed in Table 2. Refer to Figure 3 for illustration of furnace clearances.
3. When an appliance is installed directly on carpeting, tile or other combustible material, other than wood flooring, the appliance shall be installed on a metal or wood panel extending the full width and depth of the appliance. If preferred, the carpeting, tile or combustible materials, other than wood may be cut away the full length and depth of the appliance plus the appliance minimum clearances to combustibles. (See Table 2.)
4. Cut an opening through the inner wall. This will allow the rear of the furnace to be installed against the outer panel of the coach.
5. Locate center lines for exhaust and intake, as shown in Figure 1.
6. Cut two 2-1/4" diameter holes through the outer panel of the coach. (See Figure 1.)
7. Put furnace in place, making sure that rear of the furnace cabinet is as close to outer panel of the coach as possible and still assure proper vent tube overlap. (See Installing Vent Assembly.)
8. Secure furnace to the floor using the two (2) holes provided in the furnace cabinet. (See Figure 4).
9. Be sure furnace is secured within furnace cabinet. (See Figure 4).
10. Install vent assembly. (See instructions for installing vent.)

B. INSTALLATION NOT AGAINST OUTER PANEL OR SKIN AND "X" DIMENSION GREATER THAN 1 1/2" (See Figure 2) (Exterior panel supplied by installer)

Maximum wall thickness for this type installation is 2".

1. Locate the furnace near lengthwise center of the coach.
2. Choose a location for installation out of the way of wires, pipes, etc., which might interfere with the installation. Adhere to the minimum clearances from cabinet to combustible construction as listed in Table 2. Refer to Figure 3 for illustration of furnace clearances.
3. When an appliance is installed directly on carpeting, tile or other combustible material, other than wood flooring, the appliance shall be installed on a metal or wood panel extending the full width and depth of the appliance. If preferred, the carpeting, tile or combustible materials, other than wood may be cut away the full length and depth of the appliance plus the appliance minimum clearances to combustible. (See Table 2.)
4. Determine "X" dimension as shown in Figure 2. The tubes supplied with the furnace will accommodate an installation range for "X" from 0-1 1/2". If "X" dimension is greater than 1 1/2", then special vent tubes as charted in Figure 2 must be ordered.

WARNING ! Do not alter, cut, or otherwise modify the vent tubes as supplied by Suburban. Doing so could result in inadequate intake of combustion air or improper venting of furnace exhaust.

5. After determining "X" dimension, complete the furnace installation as follows:
6. Locate center lines for exhaust and intake tubes as shown in Figure 1.
7. Cut two 2-3/4" diameter holes through the outer panel or outer skin. (See Figure 2.)
8. Put furnace in place, making sure that rear of furnace cabinet is as close to inner wall section of the coach as possible and still assure proper vent tube overlap. (See Installing Vent Assembly.)
9. Secure furnace to the floor using the two (2) holes provided in the furnace cabinet. (See Figure 4.)
10. Slide furnace into cabinet. Be sure furnace is secured within furnace cabinet (See Figure 4.)
11. Install vent assembly. (See instructions for installing vent.)

C. INSTALLATION USING THE FURNACE ACCESS DOOR SUPPLIED BY SUBURBAN (See Figure 4)

Maximum wall thickness for this type installation is 2".

1. Locate the furnace near lengthwise center of coach.
 2. Choose a location for installation out of the way of wires, pipes, etc., which might interfere with the installation. Adhere to the minimum clearances from the cabinet to combustible construction as listed in Table 2. Refer to Figure 3 for illustration of furnace clearances.
 3. When an appliance is installed directly on carpeting, tile or other combustible material, other than wood flooring, the appliance shall be installed on a metal or wood panel extending the full width and depth of the appliance. If preferred, the carpeting, tile or combustible matters, other than wood may be cut away the full length and depth of the appliance plus the appliance minimum clearances to combustibles. (See Table 2.)
 4. After furnace location has been determined, cut an opening 18-7/32 x 8-9/32" through the inner coach wall and the outer wall (skin) of the coach.
 5. Caulk around opening as illustrated. Apply generously. The purpose of the caulking is to seal the back side of the door frame and the coach skin water tight.
 6. Secure frame to outer wall (skin) through the holes in the frame. Screws should be used. (See Figure 4.) **NOTE:** Do not place screws into the holes required for mounting the door.
 7. Slide furnace in place. The back of the furnace should be installed against or as close as possible to the flange on the door frame. (See illustration.) The furnace must maintain 1/2" overlap on the intake and 1-1/4" overlap on the exhaust.
 8. Secure furnace to the floor using the two (2) holes provided in the furnace cabinet. (See Figure 4.)
 9. Slide furnace into cabinet. Be sure furnace is secured within furnace cabinet. (See Figure 4.)
 10. Position furnace access door over the frame. Secure the door to the coach skin. Be sure the coach skin is of sufficient strength to keep furnace access door in place and insure a tight seal. It may be necessary to build a wood or metal frame around the opening in order to provide adequate strength for securing door.
- CAUTION: The screws provided with the door may not be of sufficient length and size for all applications and it may be necessary for the installer to substitute screws in order to adequately secure the furnace access door.**
11. Install vent assembly. (See instructions for installing vent.)

Model	Front	Left Side	Right Side	Top	Bottom	Back	Exhaust and Intake Tube
SF-20	1"	0"	0"	0"	0"	0"	3/8"
SF-25	1"	0"	0"	0"	0"	0"	3/8"
SF-30	1"	0"	0"	0"	0"	0"	3/8"
SF-35	1"	0"	0"	0"	0"	0"	3/8"
SF-42	1"	2"	2"	1"	0"	0"	3/8"

**-NOTE-
0" MEANS TO SPACER BUMPS
CLEARANCE FROM DUCTS TO
COMBUSTIBLE MATERIAL - 1/4" (See Figure 3)**

TABLE 2

INSTALLING VENT ASSEMBLY

The vent outlet must be installed so it is in the same atmospheric pressure zone as the combustion air intake. The exhaust and intake tubes must be installed from the outside, pass through the RV skin and slide onto the furnace exhaust and intake.

WARNING! Discard the vent assembly that came with the furnace. The vent cap assembly supplied with the vertical mounting kit must be used. Suburban recommends all vents be installed using the rain shield supplied.

Do not alter the vent assembly supplied with this furnace. Any modifications will result in improper installation which could cause unsafe furnace operation.

CAUTION! Combustion air must not be drawn from the living area. All air for combustion must be drawn from the outside atmosphere. All exhaust gases must be vented to the outside atmosphere - never inside the RV. Therefore, it is essential to insure that the vent cap and tube assemblies are properly installed.

1. Apply caulking to RV skin behind vent cap as shown in Figure 1. Apply caulking generously around perimeter of vent cap and across center as shown.
2. Insert intake tube through RV skin and slide it onto the furnace intake (See Figure 1.) Minimum tube overlap of 1/2" is required.
3. Insert vent cap exhaust tube through RV skin and slide it onto the furnace exhaust (See Figure 1.) Minimum tube overlap of 1 1/4" is required.
4. Attach vent cap assembly to outer skin of RV with the six (6) screws provided. Do not install vent assembly upside down. The word "Suburban" must be right side up.

CONNECTING GAS SUPPLY

CAUTION: This furnace was shipped from the factory set up for the gas connection to be made at the right rear of the unit as illustrated in Figure 1. If you wish to make gas connection through the top of cabinet, you must remove furnace from cabinet and turn gas inlet fittings 90° CLOCKWISE. DO NOT TURN FITTING COUNTER-CLOCKWISE, this will loosen fitting and result in a gas leak.

WARNING! Hold manifold firmly when turning elbow to prevent any force from being inserted on the valve and to prevent any leaks from developing. Be sure to check all fitting for leaks including the inlet and outlet on the valve before reinstalling furnace into cabinet. Correct all leaks immediately. NOTE: The furnace must be in operation to properly check for leaks.

Connect the gas supply to the furnace at the manifold, following the suggestions outlined below. It will be necessary to hold the flare fitting on the furnace manifold when connecting or loosening gas line.

NOTE: The compound used on threaded joints must be resistant to liquefied petroleum (LP) gas.

NOTE: The appliance must be disconnected from the gas supply piping system during any pressure testing of that system at test pressure in excess of 1/2 PSIG.

The appliance must be isolated from the gas supply piping during any pressure testing of the gas supply piping system at test pressure equal to or less than 1/2 PSIG.

1. A 3/8" male flare connection is provided for gas line hookup. Some standards may require the use of a manual shut off valve in the gas line external to the furnace cabinet.
2. In order to maintain a check of gas supplied pressure to the furnace, Suburban advises the installer to provide the 1/8" NPT plug tap for test gauge connection immediately upstream of the gas supply connection to the furnace and that it be readily accessible.
3. After the furnace has been connected to the gas supply, all joints must be checked for leaks.

WARNING! Never check for leaks with an open flame. Turn on the gas and apply soapy water to all joints to see if bubbles are formed.

CONNECTING ELECTRICAL SUPPLY

CAUTION: This furnace is designed for negative ground 12 volt D.C. system only. Do not attempt to alter the furnace for a positive ground system or connect the furnace directly to 115 volts A.C. Damage to furnace component parts will occur. Connect only to a protected circuit fused for not more than 20 amps.

Be sure all wiring to the furnace is of heavy enough gauge to keep the voltage drop through it to a minimum and to provide enough power for start-up surge. No. 12 gauge wire is recommended. If any of the original wire that is supplied with the appliance must be replaced, it must be replaced with type 105° C or its equivalent.

Power supply connections are to be on the right side of the furnace. The wires are color coded, red for positive (+) and yellow for negative (-). This polarity must be observed so the furnace motor will run the proper direction of rotation to insure correct air delivery. (See wiring diagram.)

If the furnace power supply is to be from a converter, we recommend that the converter system used to power the furnace be wired in parallel with the battery. This will serve two purposes:

1. Provide a constant voltage supply to the furnace.
2. Filter any A.C. spikes or volt surges.

CONNECTING DUCTS TO FURNACE

The following duct requirements must be followed in order to assure proper operation of the furnace:

A. The minimum open duct areas listed below must be maintained throughout entire duct system including through register:

MODEL	SIDE DUCTS			TOP DUCT	BOTTOM DUCT
	Min. Open Duct Area	Min No. Ducts Used	Duct Size	Min. Open Duct Area	Min. Open Duct Area
SF-20	25 SQ. IN.	2	4"	56 SQ. IN.	56 SQ. IN.
SF-25	36 SQ. IN.	3	4"	56 SQ. IN.	56 SQ. IN.
SF-30	36 SQ. IN.	3	4"	56 SQ. IN.	56 SQ. IN.
SF-35	48 SQ. IN.	4	4"	56 SQ. IN.	56 SQ. IN.
SF-42	48 SQ. IN.	4	4"	56 SQ. IN.	*72 SQ. IN.

*SF-42 Bottom Duct requires use of Bottom Duct Kit, Part No. 520753

NOTE: Ducts terminating in a dead air space (like holding tank compartments or cargo areas (Toy Boxes) with no means for return air recirculation should not be counted in the required duct area. Also ducts 2" in diameter or smaller should not be counted in the required duct area.

B. No outlet register is to be placed within 18" of the return air opening. Any register installed at 18" should never be toward the return air opening. If a register is installed on a wall 90 degrees to the return air, it can be less than 18".

C. Make the duct connections at the furnace cabinet tight. Loose connections will result in overheating of the component parts on the furnace and a reduction of the heated air flow through the duct system.

D. Avoid making any sharp turns in the duct system. Sharp turns will increase the static pressure in the plenum area and could cause the furnace to cycle.

E. Avoid making a lot of turns in the duct system. The straighter the duct system, the better the performance of the furnace.

F. Maintain a minimum of 1/4" clearance where ducts pass through any combustible construction, such as coach cabinetry. (See Figure 3.) **NOTE:** UL listed duct materials can be 0" clearance.

G. Do not install air boosters in the duct system. Such devices will cause the furnace to cycle on limit and to have erratic sail switch operation.

NOTE: After installation of the furnace and duct system is completed, adjustments must be made to obtain a temperature rise within the range specified on the Rating Plate.

INSTALLING THERMOSTAT

The thermostat used with this unit must have NO voltage output to return leg when there is not a call for heat or in the "OFF" setting.

Locate the room thermostat approximately 4-1/2 feet above the floor on an inside bulkhead where it is not affected by heat from any source except room air. Connect thermostat wiring to the blue wires on right side of furnace. (See wiring diagram.) If your furnace is equipped with a thermostat that has an adjustable anticipator, the anticipator should be set at .7 amps. If you desire longer heating cycles, adjust the anticipator to a higher setting. If you desire shorter heating cycles, adjust the anticipator to a lower setting. Adjustments to the anticipator setting should be made in .5 amp increments.

PREVENTIVE MAINTENANCE

WARNING! If the user of this appliance fails to maintain it in the condition in which it was shipped from the factory or if the appliance is not used solely for its intended purpose or if appliance is not maintained in accordance with the instructions in this manual, then the risk of a fire and/or the production of carbon monoxide exists which can cause personal injury, property damage or loss of life.

CAUTION: Label all wires before disconnecting for servicing. Proper polarity must be observed so the furnace motor will run with the proper direction of rotation to insure correct air delivery. (See wiring diagram).

CAUTION: Label all wires prior to disconnection when servicing controls. Wiring error can cause improper and dangerous furnace operation. Always verify proper operation of furnace after servicing.

Your furnace should be inspected by a qualified service agency yearly before turning the furnace on. Particular attention should be given to the following items.

1. Inspect furnace installation and vent termination to be sure furnace is properly secured in place (see Installation Instructions), that vent terminates to the atmosphere, and that vent tubes overlap properly (see Installing Vent Assembly.)

2. Inspect chamber and venting to assure that these components are physically sound without holes or excessive corrosion and that the installation and/or re-installation is in accordance with Suburban's installation instructions. (Reference installation manual supplied with furnace.)

WARNING! It is imperative that the products of combustion be properly vented to atmosphere and that all combustion air supplied to burner be drawn from outside atmosphere.

3. Check the base on which furnace is mounted. Be sure it is physically sound, void of any sagging, deterioration, etc.

4. Inspect furnace, the venting, ducting and gas piping to furnace for obvious signs of deterioration. Correct any defects at once.

5. Inspect combustion chamber for restrictions in exhaust or intake. It is imperative that the flow of intake combustion air and the flow of exhaust gases being expelled to the outside atmosphere not be obstructed. Any soot or loose debris should be blown out using compressed air. (See Figure 7.)

6. Inspect all gaskets. If any gaskets show signs of leakage or deterioration, replace them. Safe operation of the furnace depends on all gaskets being tight.

7. Inspect return air inlet openings to the furnace. Remove any restrictions to assure adequate air flow.

You, as the owner/user, should inspect the furnace monthly during the heating season for presence of soot on vent. Operating the furnace under this condition could lead to serious property damage, personal injury or loss of life.

If soot is observed on the vent, immediately shut the furnace down and contact a qualified service agency.

Listed below are several safety related items that you should follow during the heating season to assure continued safe operation of the furnace.

1. Inspect furnace venting. Venting must be free of obstructions, void of soot, and properly terminated to the atmosphere. (See Installing Vent Assembly.)

WARNING! Do not install screens over the vent for any reason. Screens will become restricted and cause unsafe furnace operation. Accessories are being marketed for RV products which we do not recommend. For your safety, only factory authorized parts are to be used on your furnace

2. Periodically inspect the vent for obstructions or presence of soot. Soot is formed whenever combustion is incomplete. This is your visual warning that the furnace is operating in an unsafe manner. If soot is present, immediately shut furnace down and contact your dealer or a qualified service person.

3. Keep furnace clean. More frequent cleaning may be required due to excessive lint from carpeting, bedding material, etc. It is imperative that control compartments, burners and circulating air passageways of the appliance be kept clean.

4. The motor is permanently lubricated and requires no oiling.

5. Keep the furnace area clear of any combustible materials, gasoline or other flammable vapor and liquids.

6. Before operating furnace, check the location of the furnace vent to make sure it will not be blocked by the opening of any door on the trailer. If it can be blocked, do not operate the furnace with the door open.

7. Do not restrict the flow of combustion air or the warm air circulation to the furnace. To do so could cause personal injury and/or death.

8. Never operate the furnace if you smell gas. Do not assume that the smell of gas is normal. Any time you detect the odor of gas, it is to be considered life threatening and corrected immediately. Extinguish any open flames including cigarettes and evacuate all persons from the vehicle. Shut off gas supply at LP gas bottle. (See safety notice on front cover of this manual.)

9. Immediately shut furnace down and call a service agency if furnace cycles erratically or delays on ignition.

WARNING! Should overheating occur, or the gas supply fail to shut off, shut off the manual gas valve to the appliance before shutting off the electrical supply.

10. Never attempt to repair damaged parts. Always have them replaced by a qualified service agency.

11. Never attempt to repair the furnace yourself. Seek the help of a qualified service person.

12. Never restrict the ducting installed by your trailer manufacturer. To do so could cause improper furnace operation.

13. Do not install air boosters in the duct system. Such devices will cause the furnace to cycle and to have erratic sail switch operation.

14. Clothing or other flammable material should not be placed on or near the appliance.

15. Always follow the operating instructions. Do not deviate from the step-by-step procedures.

16. Do not use this appliance if any part has been submerged under water. Immediately call a qualified service technician to inspect the appliance and to replace any part of the control system and any gas control that has been submerged under water.

17. When considering add-on rooms, porch or patio, attention must be given to the venting of your furnace. For your safety, do not terminate furnace vent inside add-on rooms, screen porch or onto patios. Doing so will result in products of combustion being vented into the room or occupied areas.

18. In any installation in which the vent of this appliance can be covered due to the construction of the RV or some special feature of the RV such as slide out, pop-up, etc. always insure that the appliance cannot be operated by setting the thermostat to the positive "OFF" position and shutting off all electrical and gas supply to the appliance. Never operate furnace with vent covered.

INSTALLATION AND REMOVAL OF UNIT INSTALLED FROM INSIDE

TO REMOVE

1. Disconnect power supply at furnace.
2. Remove vent cap assembly.
3. Disconnect gas connections.
4. Remove cabinet front (2 screws).
5. Remove tie-down screw from center of unit and remove furnace from cabinet.

TO INSTALL

1. Slide unit into cabinet. **NOTE:** Care must be taken in routing wiring to back of cabinet and outside of cabinet.
2. Reinstall tie-down screw.
3. Reinstall cabinet front.
4. Connect gas line.
5. Check gas connections for leaks using a soap and water solution. Correct any gas leaks immediately.
6. Reinstall vent cap assembly.

INSTALLATION AND REMOVAL OF UNIT WHEN OPTIONAL BACK IS USED

TO REMOVE

1. Break power to furnace.
2. Remove vent cap assembly.
3. Remove optional back.
4. Disconnect power supply at furnace.
5. Disconnect power supply plug from module board.
6. Disconnect electrode wire from module board.
7. Remove the two (2) screws securing module board and panel assembly to firewall and pull out assembly. **EXERCISE CARE NOT TO DAMAGE BOARD.**

NOTE: This will allow more room for making the gas connections at the flare fitting. It will be necessary to hold the flare fitting with a wrench when tightening or loosening the gas line.

8. Remove gas line.
9. Remove tie-down screw at blower base and remove furnace from cabinet.

TO REINSTALL

1. Slide unit into cabinet and secure with screw at base of blower.
2. Connect gas line.
3. Check gas connections for leaks using a soap and water solution. Correct any gas leaks immediately.
4. Reinstall module board and panel assembly.
5. Reconnect electrode wire to board
6. Reconnect power supply to board.
7. Reconnect power to furnace. **NOTE:** If this connection was made inside the cabinet, care must be exercised to prevent wires from coming in contact with the room air blower wheel.
8. Reinstall optional back.
9. Reinstall vent cap.
10. Provide power to furnace.

OPERATING INSTRUCTIONS

WARNING! Do not operate furnace while vehicle is in motion or being towed.

NOTE: During initial firing of this furnace, a burn-off of excess paint and oils remaining from manufacturing process may cause "smoking" for 5 - 10 minutes.

1. Stop! Read Users Information Manual supplied with furnace.
2. Turn the manual valve (if so equipped) or the valve at the outside LP tank to the "OFF" position. Do not force.
3. Set thermostat above room temperature to begin blower operation. A slight delay will occur before the blower comes on. Allow blower to run for 5 minutes for combustion chamber purge cycle. If blower does not come on or stops before ignition cycle, go to shut down and contact your dealer or a local recreational vehicle service agency.
4. After 5 minutes, move thermostat lever below room temperature. Blower will remain on. Wait approximately 2 minutes for blower to go off.
5. Open manual shut-off valve (if so equipped) or the valve at the outside LP tank. Correct operating characteristics depend on the valve being positioned fully open. Never attempt to operate with a valve partially closed. **NOTE:** This furnace is equipped with a valve shut-off switch with switch in "OFF" position. Gas will not flow to burner nor will the furnace operate.
6. Set thermostat lever to desired setting. If set above room temperature, blower will come on.
7. Allow 30 seconds for main burner to light after blower comes on. This furnace is equipped with an ignition device which automatically lights the burner. Do not try to light the burner by hand.
8. If burner does not light, repeat Steps 1 through 8.
9. If after three (3) attempts with no ignition, go to shut down and contact your dealer or a local recreational vehicle service agency. Do not continue to cycle furnace through thermostat in an attempt to get ignition. **NOTE:** If furnace should lock out, the blower will go off in 5 minutes and remain off until unit is reset by reactivating thermostat.

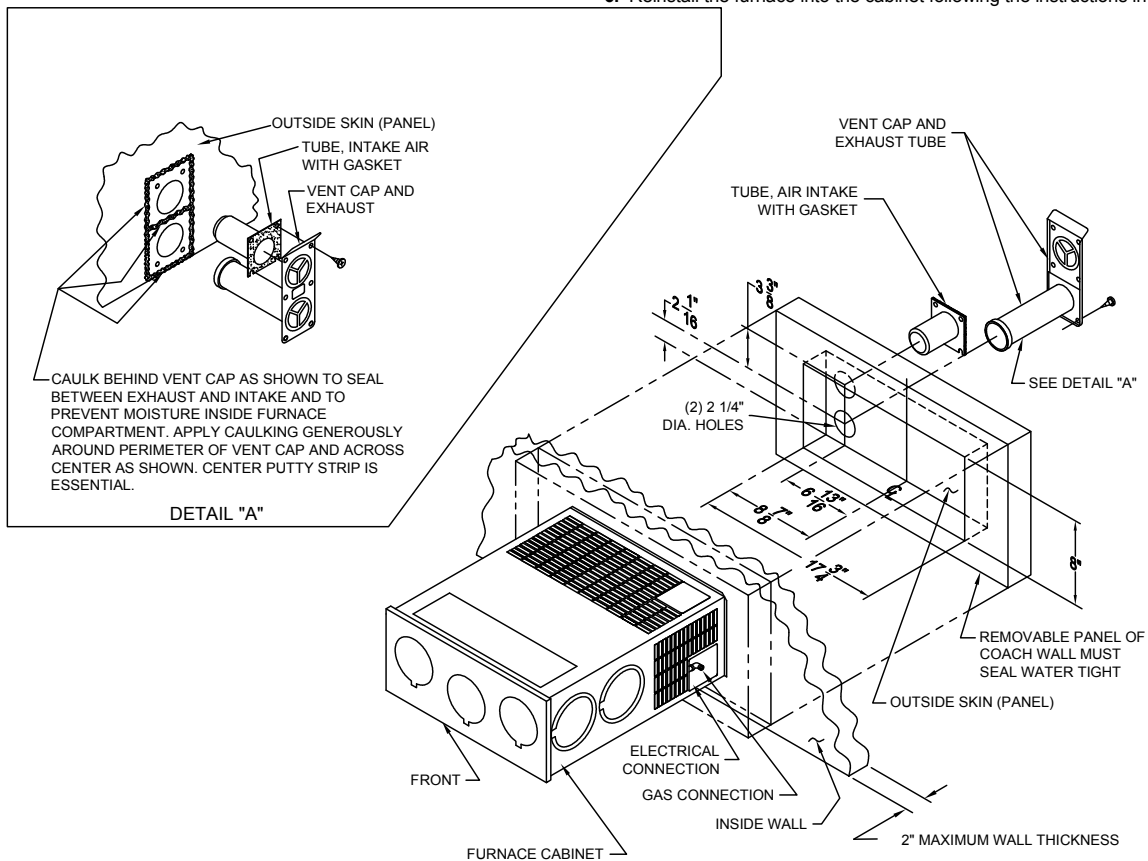


Figure 1

TO SHUT DOWN

1. Set the thermostat to lowest setting, then move lever to "OFF" position.
2. Turn manual shut off valve (if so equipped) to the "OFF" position. Do not force.

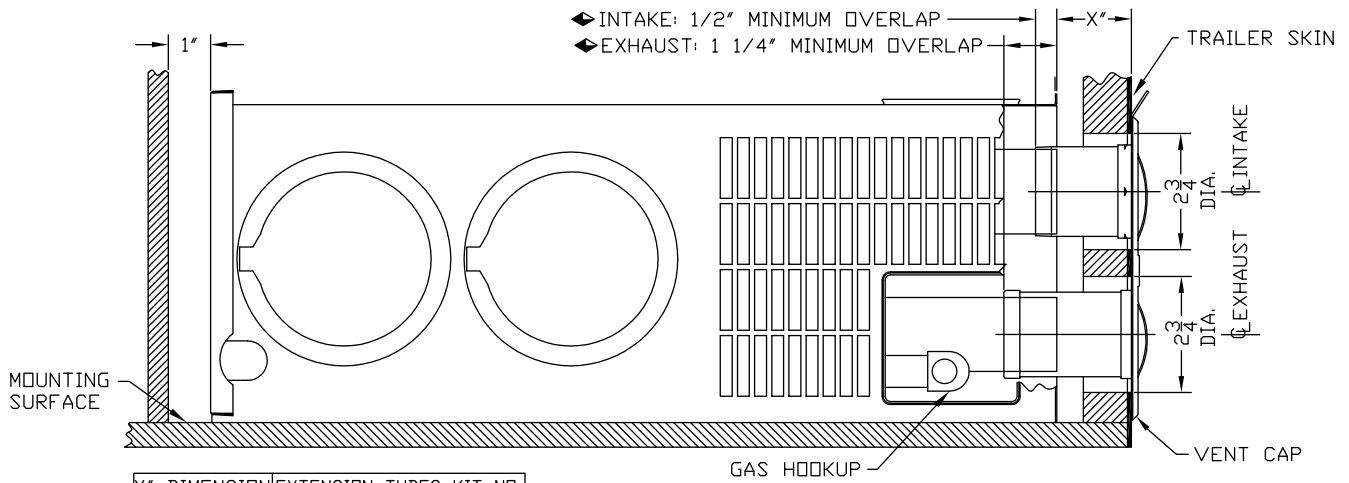
ELECTRODE ADJUSTMENT

For consistent ignition of the burner, it is important that the electrode be positioned properly over the top of the burner. The electrode was set at the factory for proper ignition and should not need further adjustment; however, if you should experience inconsistent ignition, reposition electrode as follows:

Equipment needed:
 flashlight
 black felt-tip pen
 needle-nose pliers
 measuring tape

NOTE: Furnace must be removed. (See instructions for removing unit.)

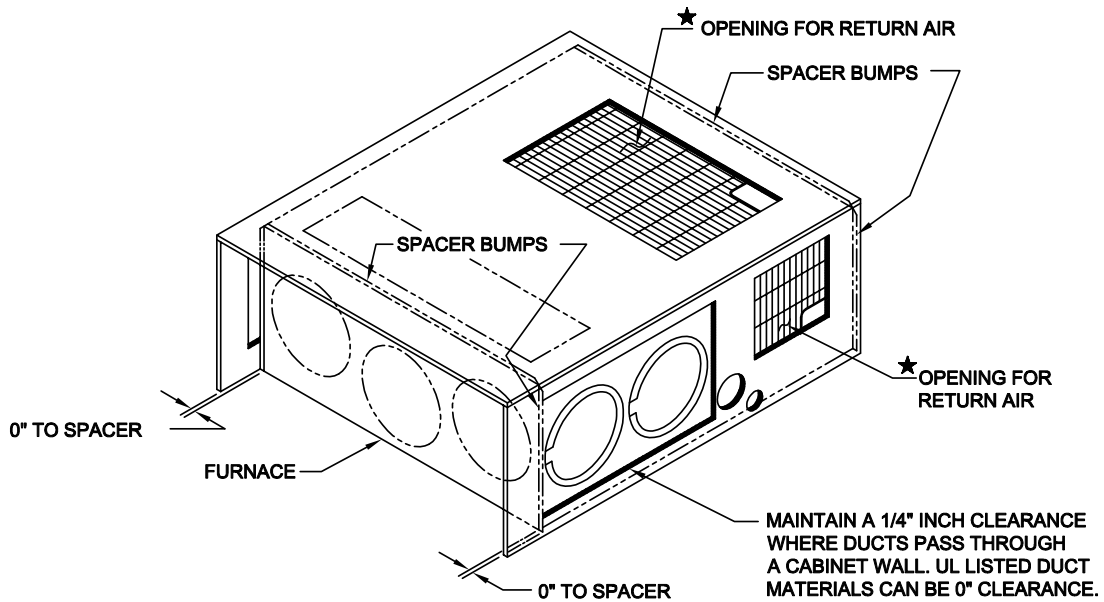
1. Remove burner from combustion chamber by removing six (6) screws which attach the burner to the chamber and air baffles (plates).
2. Locate the lance in relation to the burner ports for electrode positioning by:
 - a. Shine a flashlight into the burner venturi as illustrated. (Be sure flashlight lens is against the end of the burner.)
 - b. Light will reflect off the lance in the venturi of the burner and shine through a portion of the two (2) rolls of burner ports in the top of the burner.
 - c. Using a black felt-tip pen, mark a line along top of burner 3/16" in back of the lance and parallel with lance. Make an additional mark indicating the center line of the lance. (See illustration.) Both marks will be used later as reference marks; therefore, keep lines thin.
3. Reassemble the burner.
4. Adjust electrode so the electrode probe is positioned along the marked center line of the burner lance and the tip of the electrode terminates 3/16" from the back of the lance. (At the line marked in Step 2-c.) (See Figure 5.)
5. **IMPORTANT: Be sure electrode probe maintains a 1/8" spark gap over the burner as illustrated.**
6. Reinstall the furnace into the cabinet following the instructions in the manual.



X" DIMENSION	EXTENSION TUBES KIT NO.
0" TO 1 1/2"	★ USE VENT SUPPLIED WITH FURNACE
1 1/2" TO 3"	051249
3" TO 4 1/2"	520768
4 1/2" TO 7 1/2"	520968
7 1/2" TO 9"	520551

- ◆ NEVER INSTALL THE EXHAUST TUBE WITH LESS THAN 1 1/4" OVERLAP, OR THE INTAKE TUBE WITH LESS THAN 1/2" OVERLAP.
- ★ STANDARD VENT ASSEMBLY FURNISHED WITH FURNACE. SPECIAL EXTENSION TUBES, IF NEEDED, MUST BE ORDERED SEPARATELY. EXTENSION KITS COME WITH COMPLETE INSTALLATION INSTRUCTIONS.

Figure 2



★ THE TOTAL, FREE, UNOBSTRUCTED RETURN AIR OPENING TO THE FURNACE MUST NOT BE LESS THAN THE MINIMUM SPECIFIED IN TABLE 1.

Figure 3

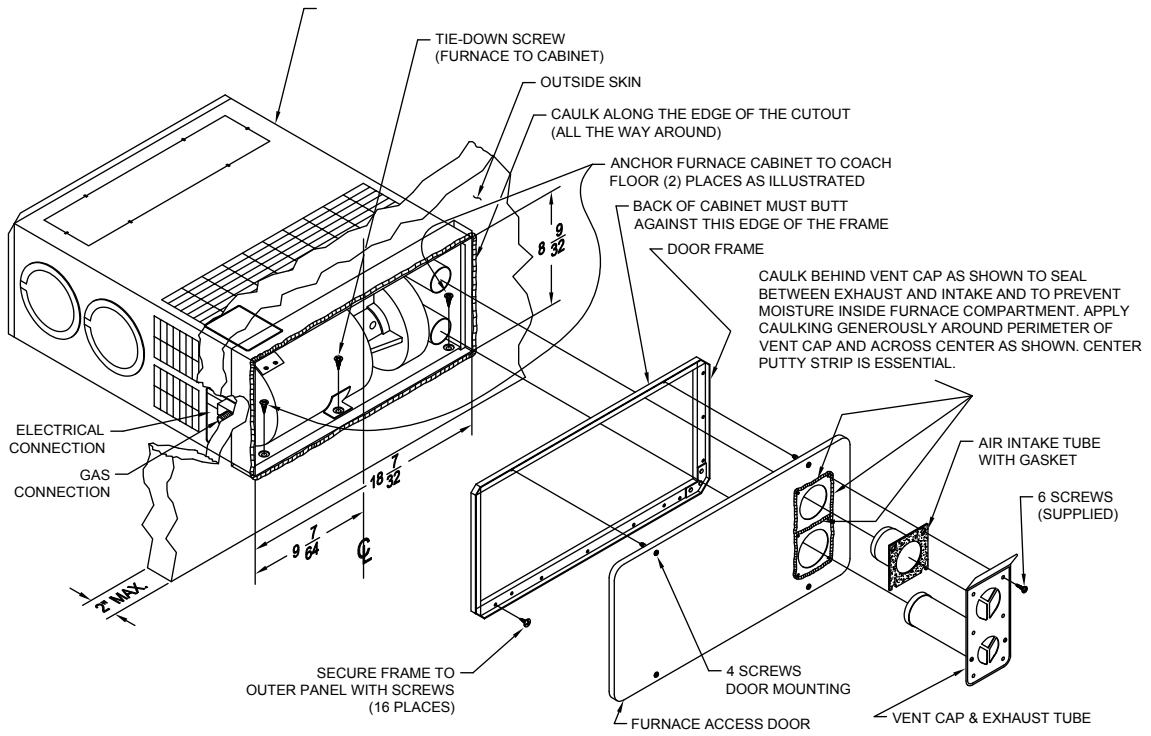


Figure 4

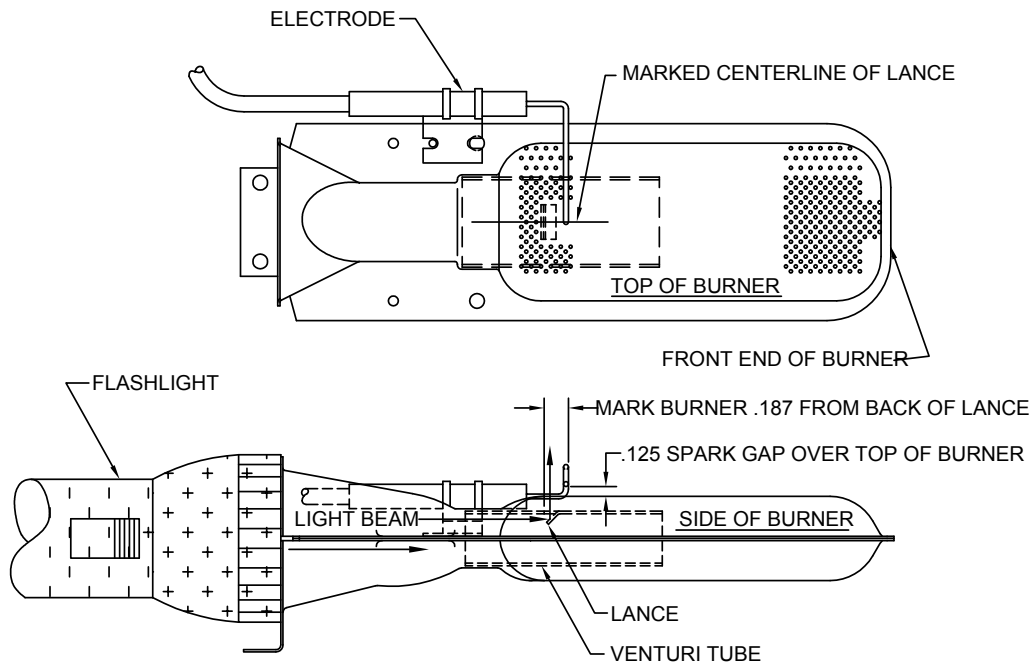


Figure 5

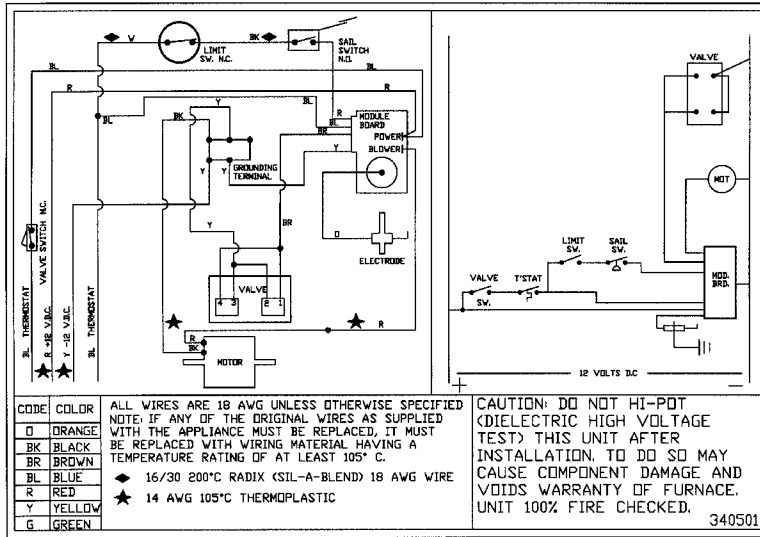
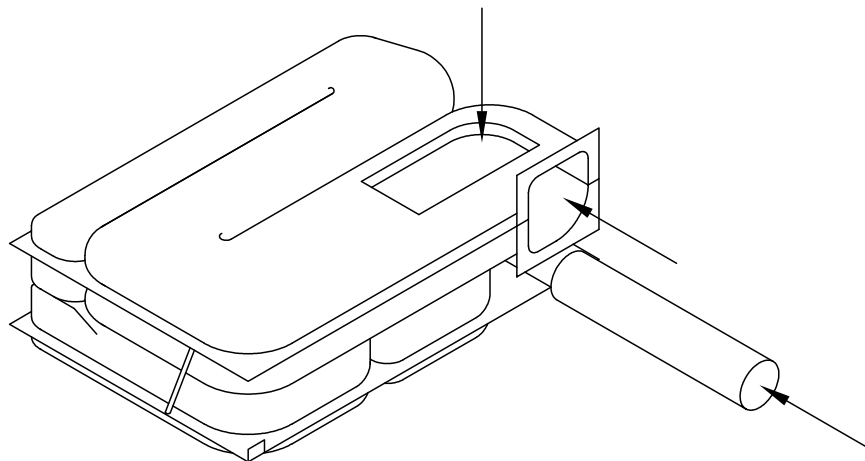


Figure 6



TO CLEAN THE CHAMBER, THE FURNACE MUST BE REMOVED FROM THE CABINET AND THE MANIFOLD. BLOWER ASSEMBLY AND CONTROLS REMOVED LEAVING THE CHAMBER ONLY, AS SHOWN. USING COMPRESSED AIR, BLOW THROUGH THE CHAMBER, AS SHOWN BY ARROWS, TO REMOVE SOOT OR LOOSE DEBRIS.

Figure 7

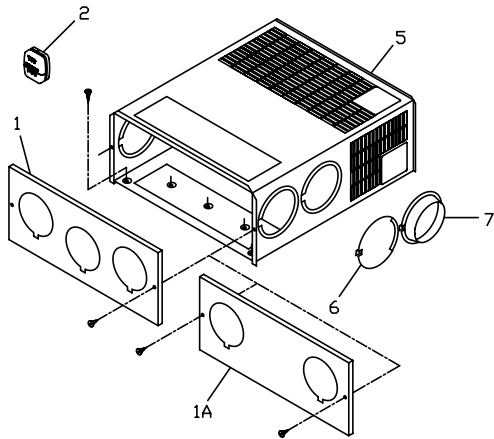


Figure 8

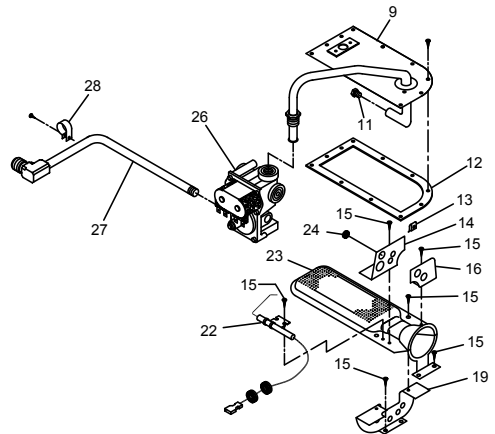


Figure 9

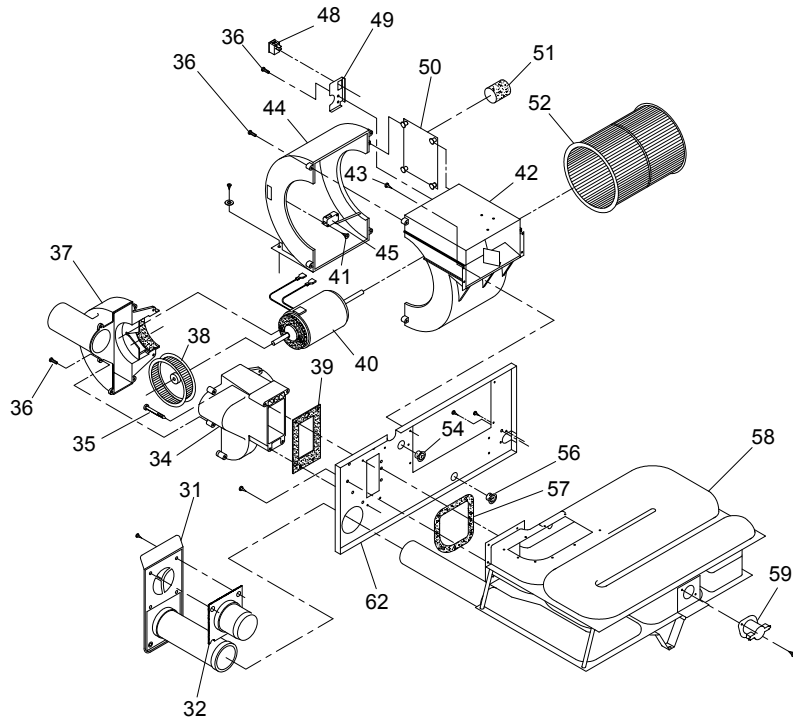


Figure 10

REPLACEMENT PARTS LIST

Only factory authorized parts are to be used. Do not attempt to repair defective parts.

When ordering repair parts from your dealer, a Suburban Service Center, or distributor, always give the following information:

1. Part Number (Not Item No.)
2. Part Description
3. Model and Serial Number of furnace
4. Number of Parts Required

Item No.	Description	Part Number	Item No.	Description	Part Number
			28	Clamp, Wire.....	.062180
1	Cabinet Front (SF-35/42).....	101242	31	Vent Cap and Exhaust Tube Assembly.....	.260231
1A	Cabinet Front (SF-20/25/30).....	102316	32	Tube Assembly Intake (Vent).....	.051248
2	Thermostat.....	161154	33	Rain Shield.....	.280582
5	Cabinet Assembly (SF-20/25/30).....	101889	34	Combustion Air Housing Assembly (Front Half).....	.390852
	Cabinet Assembly (SF-35).....	101893	35	Screw #8-18 x 2 1/4 (4 Required).....	.121929
	Cabinet Assembly (SF-42).....	101894	36	Screw #6-19 x 1/2 (7 Required).....	.121928
5B	Bracket, Mounting (Rear).....	.063250	37	Combustion Air Housing (Rear Half) (SF-20).....	.390849
5C	Bracket, Mounting (Front).....	.063343		Combustion Air Housing (Rear Half) (SF-25/30/35/42).....	.390848
6	Cover, Duct.....	.050733	38	Wheel, Combustion Air (SF-20).....	.350189
7	Collar, Duct.....	.050715		Wheel, Combustion Air (SF-25/30/35).....	.350184
9	Manifold Assembly Complete.....	171743		Wheel, Combustion Air (SF-42).....	.350183
11	Orifice, Main Burner (SF-20).....	180305	39	Gasket, Firewall (Combustion Air).....	.071084
	Orifice, Main Burner (SF-25).....	180306	40	Motor Assembly with Gasket (SF-20/25/30).....	.232682
	Orifice, Main Burner (SF-30).....	180307		Motor Assembly with Gasket (SF-35).....	.232684
	Orifice, Main Burner (SF-35).....	180308		Motor Assembly with Gasket (SF-42).....	.232683
	Orifice, Main Burner (SF-42).....	180309	41	Screw # 4-24 X 5/8 (2 Required).....	.121971
12	Gasket, Burner Access Door.....	.071263	42	Blower Assembly (Room Air) Front Half (SF-20, 25, 30, 35).....	.390872
13	Tinnerman.....	121704		Blower Assembly (Room Air) Front Half (SF-42).....	.390873
14	Plate, Secondary Air (Top-Back Half) (SF20/25/30/42).....	.063198	43	Screw #8-18 X 1/2 (4 Required).....	.121857
	Plate, Secondary Air (Top-Back Half) (SF-35).....	.063199	44	Blower Housing (Room Air) Rear Half.....	.390851
15	Screw 8-18 x 1/2 Stainless.....	121651	45	Switch, Sail.....	.232261
16	Plate, Secondary Air (Top-Front Half) (SF-20/25/30/42).....	.062933	48	Switch ON/OFF.....	.232351
	Plate, Secondary Air (Top-Front Half) (SF-35).....	.062936	49	Bracket, ON/OFF Switch.....	.063446
19	Plate, Secondary Air (Bottom) (SF-20/25/30/42).....	.062935	50	Module Board.....	.520820
	Plate, Secondary Air (Bottom) SF-35).....	.062938	51	Insulator Cap, Module Board Coil.....	.070973
22	Electrode.....	232286	52	Blower Wheel Assy (Room Air).....	.350129
23	Burner Assembly Complete (SF-20).....	.010767	54	Bushing, Universal.....	.070362
	Burner Assembly Complete (SF-25).....	.010762	56	Bushing, Strain Relief.....	.071206
	Burner Assembly Complete (SF-30/35).....	.010865	57	Gasket, Firewall (Chamber Side).....	.071262
	Burner Assembly Complete (SF-42).....	.010799	58	Chamber Assy, Final (SF-20, 25, 30, 35).....	.021206BK
24	Grommet.....	.070963		Chamber Assy, Final (SF-42).....	.021207
26	Valve.....	161122	59	Switch, Limit (SF-20).....	.232503
27	Pipe Assembly, Gas Inlet.....	171574		Switch, Limit (SF-25, 30, 35).....	.232504
				Switch, Limit (SF-42).....	.232505
			62	Firewall.....	110778

TWO YEAR LIMITED WARRANTY SUBURBAN RECREATIONAL VEHICLE FURNACE

TWO YEAR LIMITED WARRANTY

This Suburban product is warranted to the original purchaser to be free from defects in material and workmanship under normal use and maintenance for a period of two years from date of purchase whether or not actual use begins on that date. It is the responsibility of the consumer/owner to establish the warranty period. Suburban does not use warranty registration cards for its standard warranty. You are required to furnish proof of purchase date through a Bill of Sale or other payment records.

Suburban will replace any parts that are found defective within the first two years and will pay a warranty service allowance directly to the recommended Suburban Service Center at rates mutually agreed upon between Suburban and its recommended service centers. Replacement parts will be shipped FOB the shipping point within the Continental United States, Alaska and Canada to the recommended service center performing such repairs. All freight, shipping and delivery cost shall be the responsibility of the owner. The exchanged part or unit will be warranted for only the unexpired portion of the original warranty. Before having warranty repairs made, confirm that the service agency is a recommended service center for Suburban. DO NOT PAY THE SERVICE AGENCY FOR WARRANTY REPAIRS; SUCH PAYMENTS WILL NOT BE REIMBURSED.

For warranty service, the owner/user should contact the nearest recommended Suburban Service Center, advising them of the model and serial numbers (located on the furnace) and the nature of the defect. Transportation of the RV to and from the Service Center and/or travel expenses of the Service Center to your location is the responsibility of the owner/user. A current listing of recommended service centers may be obtained from Suburban's website, www.rvcomfort.com. If you cannot locate a recommended service center locally, the service agency chosen to perform warranty repairs must contact our Service Department at 423-775-2131 for authorization before making repairs. Unauthorized repairs made will not be paid by Suburban.

THREE YEAR LIMITED WARRANTY ON HEAT EXCHANGER

The furnace heat exchanger is further warranted to be free from defects in material and workmanship during the third through fifth year after the date of original purchase. A replacement heat exchanger will be provided under the same conditions as stated in the two year warranty EXCEPT no labor reimbursement will be provided.

LIMITATION OF WARRANTIES

ALL IMPLIED WARRANTIES (INCLUDING IMPLIED WARRANTIES OF MERCHANTABILITY) ARE HEREBY LIMITED IN DURATION TO THE PERIOD FOR WHICH EACH LIMITED WARRANTY IS GIVEN. SOME STATES DO NOT ALLOW LIMITATIONS ON HOW LONG AN IMPLIED WARRANTY LASTS SO THE ABOVE LIMITATIONS MAY NOT APPLY TO YOU. THE EXPRESSED WARRANTIES MADE IN THIS WARRANTY ARE EXCLUSIVE AND MAY NOT BE ALTERED, ENLARGED, OR CHANGED BY ANY DISTRIBUTOR, DEALER OR OTHER PERSON WHOMSOEVER.

SUBURBAN WILL NOT BE RESPONSIBLE FOR:

1. Normal maintenance as outlined in the installation, operating and service instructions owner's manual including cleaning of component parts; such as, orifices and burners.
 2. Initial checkouts and subsequent checkouts which indicate the furnace is operating properly, or diagnosis without repair.
 3. Damage or repairs required as a consequence of faulty or incorrect installation or application not in conformance with Suburban instructions.
 4. Failure to start and/or operate due to loose or disconnected wires; water or dirt in controls, fuel lines and gas tanks; restriction or alteration of return air circulation; low voltage.
 5. Routine adjustments that may be required to the thermostat, electrode and burner.
 6. Costs incurred in gaining access to the furnace.
 7. Parts or accessories not supplied by Suburban.
 8. Freight charges incurred from parts replacements.
 9. Damage or repairs needed as a consequence of any misapplication, abuse, unreasonable use, unauthorized alteration, improper service, improper operation or failure to provide reasonable and necessary maintenance.
 10. Suburban products whose serial number has been altered, defaced or removed.
 11. Suburban products installed or warranty claims originating outside the Continental U.S.A., Alaska, Hawaii and Canada.
 12. Damage as a result of floods, winds, lightning, accidents, corrosive atmosphere or other conditions beyond the control of Suburban.
 13. ANY SPECIAL, INDIRECT OR CONSEQUENTIAL PROPERTY, ECONOMIC OR COMMERCIAL DAMAGE OF ANY NATURE WHATSOEVER. Some states do not allow the exclusion of incidental or consequential damages, so the above limitation may not apply to you.
- NO REPRESENTATIVE, DEALER, RECOMMENDED SERVICE CENTER OR OTHER PERSON IS AUTHORIZED TO ASSUME FOR SUBURBAN MANUFACTURING COMPANY ANY ADDITIONAL, DIFFERENT OR OTHER LIABILITY IN CONNECTION WITH THE SALE OF THIS SUBURBAN PRODUCT.

This warranty gives you specific legal rights, and you may also have other rights which vary from state to state.

IF YOU HAVE A PRODUCT PROBLEM

FIRST:

If your RV has its original furnace and is still under the RV manufacturer's warranty, follow the steps suggested by your dealer or manufacturer of the RV.

SECOND:

Contact a conveniently located recommended Suburban Service Center. Describe to them the nature of your problem, make an appointment, if necessary, and provide for delivery of your RV to the selected service center.

THIRD:

For the location of the nearest service center, refer to the listing provided or contact:

Suburban Manufacturing Company
Customer Service Department
676 Broadway Street
Dayton, Tennessee 37321
(423) 775-2131, Ext. 7101
www.rvcomfort.com

For future reference, you should record the following information
MODEL NUMBER _____
SERIAL NUMBER _____
STOCK NUMBER _____
DATE OF PURCHASE _____

GARANTIE LIMITÉE DE DEUX ANNÉES SUBURBAN - CHAUFFE-EAU POUR VÉHICULE RÉCRÉATIF

GARANTIE LIMITÉE DE DEUX ANNÉE

Ce produit Suburban est garanti au bénéfice du premier acquéreur comme étant exempt de vice de matériel ou de fabrication, lorsqu'il est soumis aux conditions normales d'utilisation et d'entretien, pendant une période de deux ans à compter de la date d'achat, que l'appareil soit ou non mis en service à cette date. C'est au consommateur/propriétaire qu'incombe la responsabilité de faire la preuve de la période de garantie. Suburban n'utilise pas de carte d'entretien de la garantie pour sa garantie standard. Le propriétaire doit soumettre une preuve de la date d'achat, comme une facture ou un autre document attestant du paiement. Au cours des deux premières années, Suburban remplacera toute pièce s'avérant être défectueuse, et versera une allocation de main-d'œuvre sous garantie directement au centre de service Suburban recommandé, selon le tarif défini par accord mutuel entre Suburban et ses centres de service recommandés. Les pièces de rechange seront expédiées F.-à-B. point d'expédition au centre de service Suburban recommandé effectuant les réparations dans les états continentaux des États-Unis, en Alaska et au Canada. Le propriétaire devra assumer tous les frais de fret, expédition et livraison. Une pièce ou un composant remplacé ne bénéficie de la garantie que pendant la fraction non écoulée de la période de garantie d'origine. Avant de faire effectuer des réparations sous garantie, vérifiez que l'établissement de réparation est un centre de service recommandé par Suburban.

POUR DES RÉPARATIONS SOUS GARANTIE; CES FRAIS NE VOUS SERONT PAS REMBOURSÉS. Suburban se réserve le droit d'inspecter le chauffe-eau ou le composant incriminé pour en vérifier les défectuosités; c'est au propriétaire qu'incombe l'obligation de retourner le chauffe-eau et/ou les composants à Suburban ou à son représentant. Un chauffe-eau retourné doit comprendre tous ses composants et la plaque signalétique. Des composants retournés indépendants doivent être étiquetés et identifiés avec le numéro de modèle et le numéro de série du chauffe-eau, et la date d'installation. Pour obtenir les services nécessaires sous garantie, le propriétaire devrait contacter le plus proche centre de service Suburban recommandé, en mentionnant le numéro de modèle et le numéro de série (indiqués sur l'appareil), et la nature de l'anomalie. Le propriétaire/utilisateur doit assumer les frais de transport du véhicule récréatif entre son domicile et le centre de service, ou les frais de déplacement du personnel du centre de service. On peut obtenir une liste récente des centres de service recommandés à Suburban's l'adresse: www.rvcomfort.com. Advenant qu'il n'y ait pas de centre de service agréé local, le personnel du centre de service choisi pour l'exécution de travaux sous garantie doit contacter notre département de service au numéro 423-775-2131 avant d'effectuer les réparations pour obtenir une autorisation. Suburban ne paiera pas les réparations effectuées sans autorisation.

GARANTIE LIMITÉE SUR LE RÉSERVOIR - TROIS ANS

Le réservoir interne est également garanti comme étant exempt de vice de matériel ou de fabrication pendant une période de trois ans à compter de la date de l'acquisition initiale. Un chauffe-eau de remplacement sera fourni dans les mêmes conditions déjà indiquées pour la garantie de deux années. À L'EXCEPTION que Suburban ne remboursera aucun frais de main-d'œuvre.

LIMITATION DES GARANTIES

LA PÉRIODE DE VALIDITÉ DES GARANTIES IMPLICITES (CECI INCLUANT LES GARANTIES IMPLICITES DE QUALITÉ MARCHANDE) EST EXPRESSÉMENT LIMITÉE À LA DURÉE DE CHAQUE PÉRIODE DE GARANTIE LIMITÉE ACCORDÉE. CERTAINES PROVINCES N'ADMETTENT PAS LA LIMITATION DE LA DURÉE DE VALIDITÉ DES GARANTIES IMPLICITES; PAR CONSÉQUENT, LES LIMITATIONS CI-DESSUS PEUVENT NE PAS VOUS ÊTRE APPLICABLES. LES GARANTIES EXPRESSES CONFÉRÉES PAR LE TEXTE QUI PRÉCÈDE SONT LES SEULES GARANTIES ACCORDÉES, ET ELLES NE PEUVENT ÊTRE MODIFIÉES, ÉTENDUES OU PROLONGÉES PAR UN DISTRIBUTEUR, CONCESSIONNAIRE OU AUTRE PERSONNE.

SUBURBAN N'ACCEPTERA AUCUNE RESPONSABILITÉ AU TITRE DE:

1. Entretien normal, tel qu'il est défini dans les instructions d'installation, utilisation et entretien du manuel de l'utilisateur, ceci incluant le nettoyage des composants et le nettoyage ou remplacement du gicleur du brûleur. Les dégâts provoqués par l'eau, décollant directement ou indirectement d'un défaut du chauffe-eau ou d'un composant, ou de son utilisation.
2. Inspection initiale et inspections ultérieures indiquant que l'appareil fonctionne correctement, ou diagnostique sans réparation.
3. Dommages ou réparations imputables à une installation défective ou à une application non conforme aux instructions de Suburban.
4. Impossibilité de mise en marche et/ou de fonctionnement imputable à défectuosités des fils ou raccords, présence d'eau ou souillures dans les organes de commande, canalisations de combustible et réservoirs de gaz; pression de gaz incorrecte; tension électrique insuffisante.
5. Nettoyage ou réglage pour composants, électrode, tube de brûleur, brûleur de veille et thermocouple.
6. Frais rendus nécessaires pour l'accès à l'appareil.
7. Pièces ou accessoires non fournis par Suburban.
8. Frais de transport afférents au remplacement de pièces.
9. Dommages ou réparations imputables à toute utilisation impropre, irraisonnée ou abusive, modification non autorisée, travaux d'entretien incorrects, utilisation incorrecte ou carence d'entretien.
10. Produits Suburban dont le numéro de série a été modifié, éliminé ou rendu illisible.
11. Produits Suburban installés ou utilisés hors des zones géographiques suivantes: états continentaux des É.-U., Alaska, Hawaii et Canada.
12. Dommages imputables à inondation, vent, foudre, accident, atmosphère corrosive et autres situations que Suburban ne peut contrôler.
13. DOMMAGES SECONDAIRES OU INDIRECTS MATÉRIELS, ÉCONOMIQUES OU COMMERCIAUX, QUELLE QU'EN SOIT LA NATURE. Certaines provinces n'admettent pas l'exclusion des dommages secondaires ou indirects; par conséquent, la limitation ci-dessus peut ne pas vous être applicable.
- AUCUN REPRÉSENTANT, CONCESSIONNAIRE, DES CENTRES DE SERVICE RECOMMANDÉS OU AUTRE PERSONNE N'EST AUTORISÉ À ASSUMER AU NOM DE SUBURBAN MANUFACTURING COMPANY DES OBLIGATIONS ADDITIONNELLES OU DIFFÉRENTES EN RAPPORT AVEC LA VENTE DE CE PRODUIT SUBURBAN.

SI UN PROBLÈME SE MANIFESTE

TOUR D'ABORD: Si le véhicule récréatif est encore équipé de son chauffe-eau d'origine et est encore couvert par la garantie de son constructeur, procéder conformément aux instructions de concessionnaire ou constructeur de votre véhicule récréatif.

DEUXIÈME : Contacter un centre de service Suburban recommandé peu éloigné. Décrire la nature du problème au technicien, prendre rendez-vous si c'est nécessaire, et organiser la livraison de votre véhicule récréatif au centre de service choisi.

TROISIÈME : Pour localiser le centre de service de réparation le plus proche, référez-vous à la liste fournie ou contactez:

Suburban Manufacturing Company
Customer Service Department
676 Broadway Street
Dayton, Tennessee 37321
(423) 775-2131, Ext. 7101
www.rvcomfort.com

Pour référence, inscrire ci-dessous descriptive de l'appareil:
NUMÉRO DE MODÈLE _____
NUMÉRO DE SÉRIE _____
NUMÉRO DE STOCK _____
DATE D'ACHAT _____

LISTE DES PIÈCES DE RECHANGE

Utiliser uniquement des pièces autorisées par l'usine. Ne pas tenter de réparer les composants défectueux.

Lors de la commande de pièces de rechange auprès d'un concessionnaire ou d'un centre de service ou distributeur Suburban, communiquer

toujours l'information suivante:

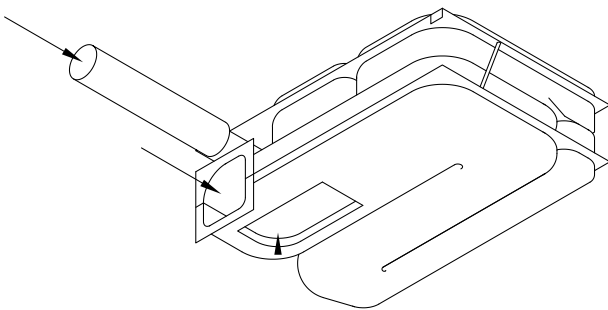
1. Numéro de pièce (pas le numéro d'article)

2. Description de la pièce

3. Numéro de modèle et numéro de série de l'appareil

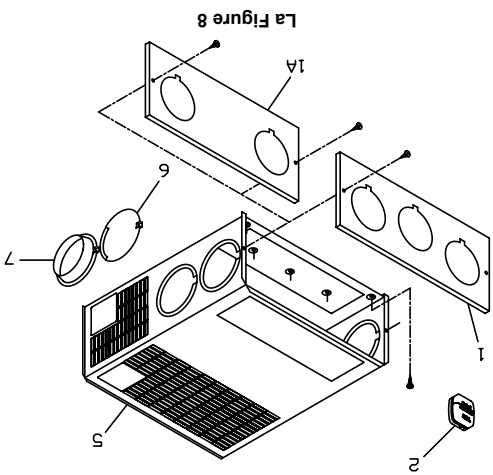
4. Nombre de pièces demandées

N° de pièce	Description	N° de pièce	Description	N° de pièce	Description
1	Avant de la caisse (SF-35, 42)	101242	Montage de chambre pour combustion dair (partie avant)	390852	pièce
1A	Avant de la caisse (SF-20, 25, 30)	102316	Vis N° 8-18 x 2 1/4 (4)	121929	
2	Thermostat	161154	Vis N° 6-19 x 1/2 (7)	121928	
5	Caisse (SF-20, 25, 30)	101889	Montage de chambre pour combustion dair (partie arrière) (SF-20)	390849	
6	Caisse (SF-35)	101893	Montage de chambre pour combustion dair (partie arrière) (SF-25, 30, 35, 42)	390848	
6	Caisse (SF42)	101894	Turbine, air de combustion (SF-20)	350189	
7	Bride de fixation, conduit	050715	Turbine, air de combustion (SF-25, 30, 35)	350184	
7	Bride de fixation, conduit	050715	Turbine, air de combustion (SF-42)	350183	
9	Système de distribution, complète	171743	Joint, cloison pare-feu (côté ventilateur)	071084	
11	Gicleur à gaz, brûleur principal SF-20	180305	Joint, cloison pare-feu (côté ventilateur)	232682	
11	Gicleur à gaz, brûleur principal SF-25	180306	Moteur Avec Joint De Chantèlle (SF-20, 25, 30)	232684	
11	Gicleur à gaz, brûleur principal SF-30	180307	Moteur Avec Joint De Chantèlle (SF-35)	232683	
11	Gicleur à gaz, brûleur principal SF-35	180308	Moteur Avec Joint De Chantèlle (SF-42)	232684	
12	Gicleur à gaz, brûleur principal SF-42	180309	Vis N° 4-24 x 5/8 (2)	121971	
12	Joint, couvercle d'accès au brûleur	071263	Système d'assemblage ventilateur (air ambiant) partie avant (SF-25, 25, 30, 35)	390872	
13	Timerman	121704	Système d'assemblage ventilateur (air ambiant) partie avant (SF-42)	390873	
14	Plaque, air secondaire (sommet, moitié arrière) (SF-20, 25, 30, 42)	063198	Vis N° 8-18 x 1/2 (4)	121857	
14	Plaque, air secondaire (sommet, moitié avant) (SF-35)	063199	Encastrement pour ventilateur (air ambiant) partie arrière	390851	
15	Vis N° 8-18 x 1/2, inox	121651	Commutateur éolien	232261	
16	Plaque, air secondaire (sommet, moitié avant) (SF-20, 25, 30, 42)	062933	Commutateur - marche / arrêt	232351	
16	Plaque, air secondaire (sommet, moitié avant) (SF-35)	062936	Manette pour interrupteur	063446	
19	Plaque, air secondaire (bas) (SF-20, 25, 30, 42)	062935	LaCarte du module	520820	
19	Plaque, air secondaire (bas) (SF-35)	062938	Couvre - bobine isolant, sur plaque de module	070973	
22	Electrode	222286	Système d'assemblage rouédu ventilateur (air ambiant)	350129	
23	Brûleur, ensemble complet (SF-20)	010767	Bague universelle	070362	
23	Brûleur, ensemble complet (SF-25)	010762	Bague, passe-ll	071206	
24	Passe-ll	070963	Joint, cloison pare-feu (côté chambre)	071262	
26	Valve	161122	Chambre, assemblage final (SF-20, 25, 30, 35)	021206BK	
27	Tuyau, arrivée du gaz(modèles à gaz arrière)	171574	Chambre, assemblage final (SF-42)	021207	
27	Tuyau, arrivée du gaz (modèles à gaz avant)	171576	Cloison pare-feu	110778	
28	Bride de serrage, fil	062180			
31	Ensemble - bouches d'admission d'air/décharge	260553			
32	Tube d'admission dair	051248			

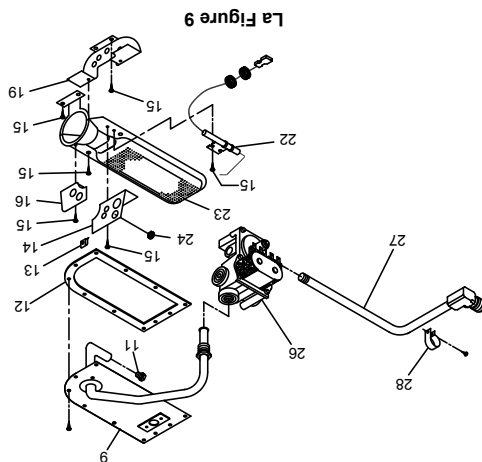


La Figure 7

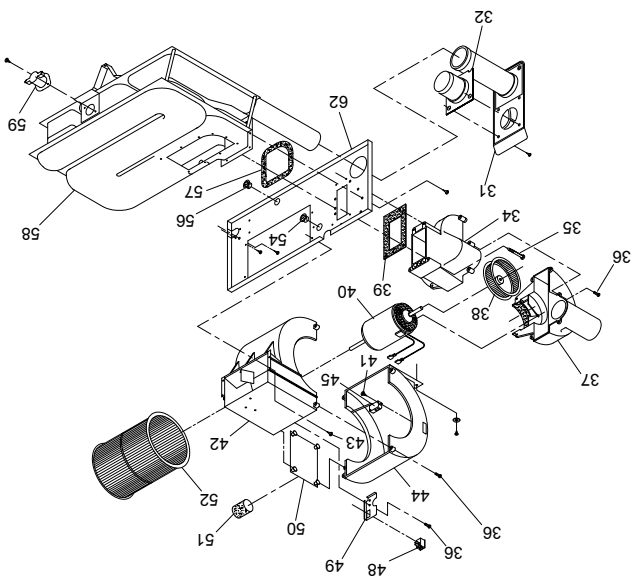
Pour le nettoyage de la chambre de combustion, on doit retirer l'appareil de la caisse, et retirer également le ventilateur et les organes de commande. Il ne doit rester que la chambre de combustion, comme on le voit sur l'illustration. Injecter de l'air comprimé dans la chambre selon les indications des flèches pour expulser la suie et les débris.



La Figure 8

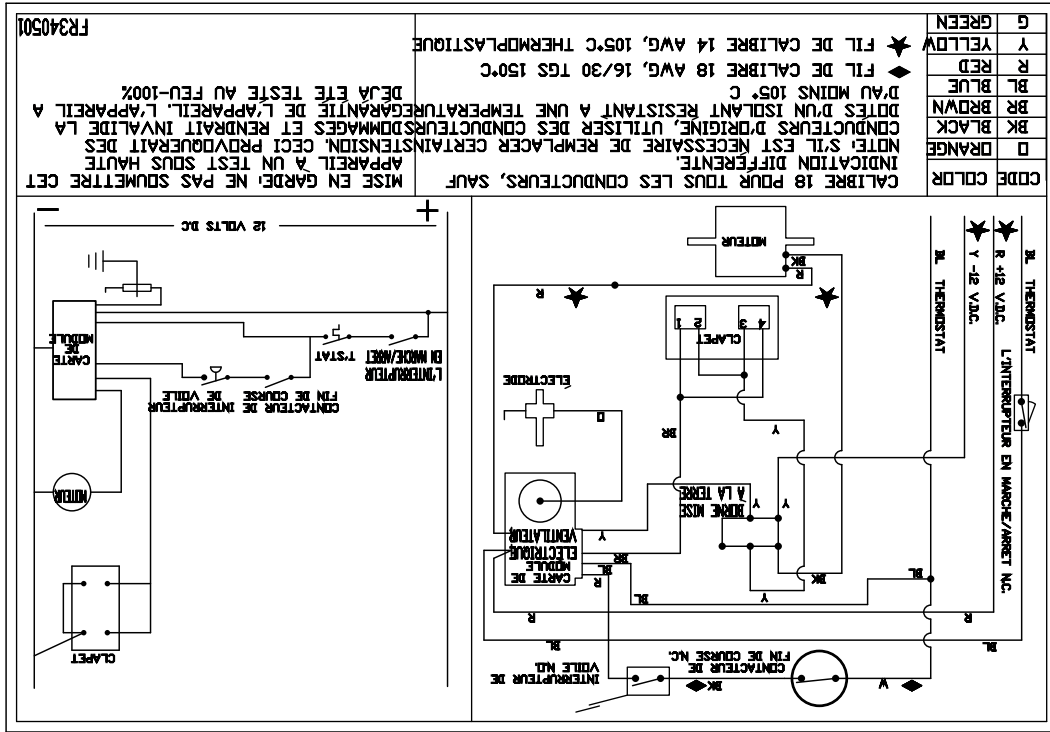


La Figure 9

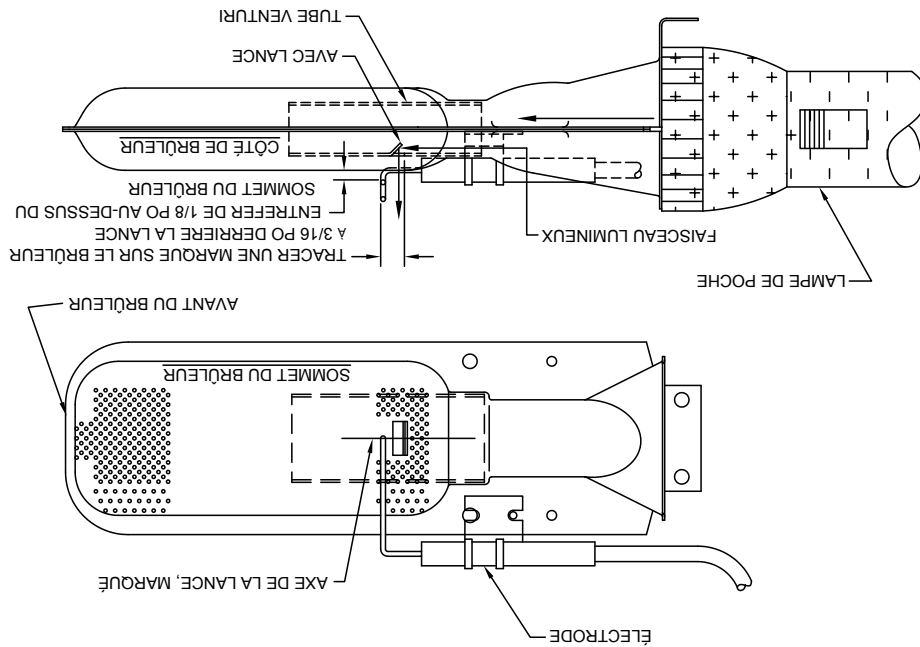


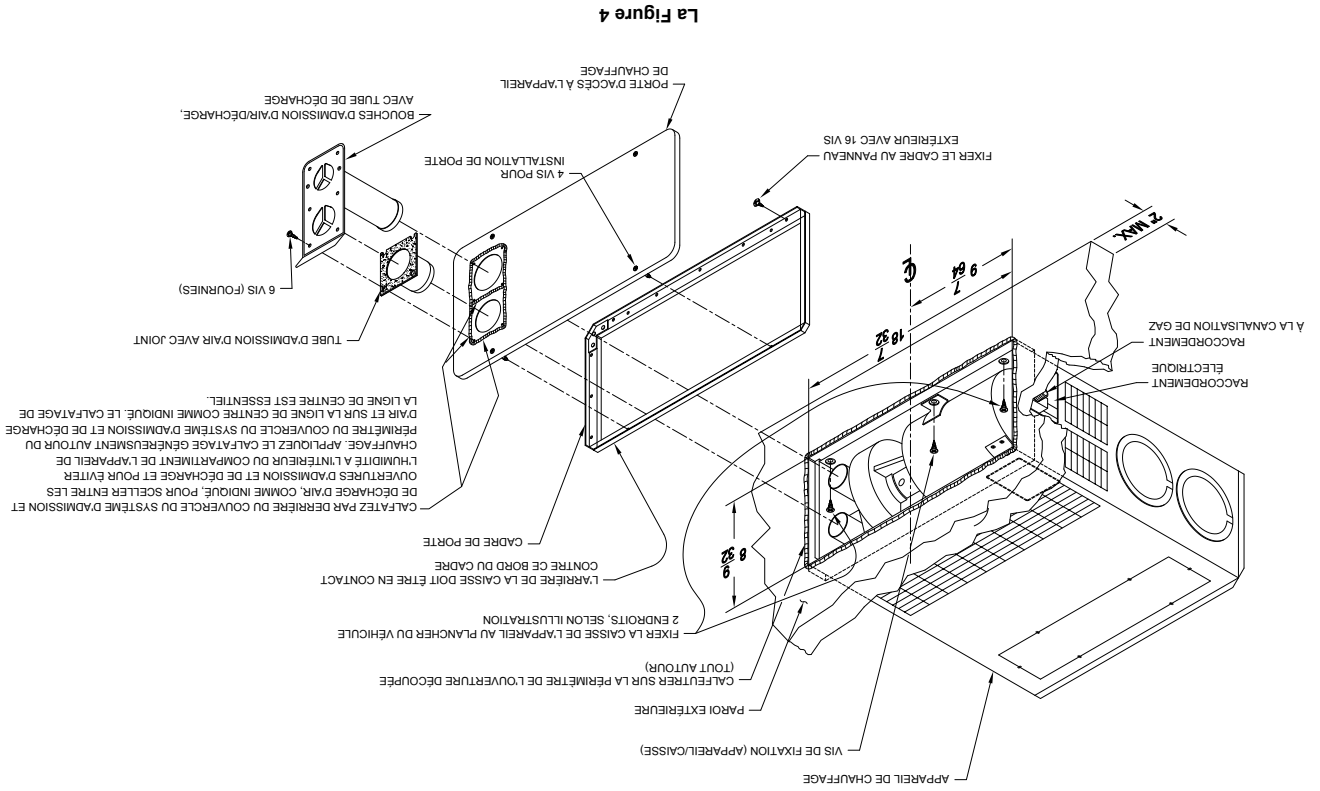
La Figure 10

La Figure 6



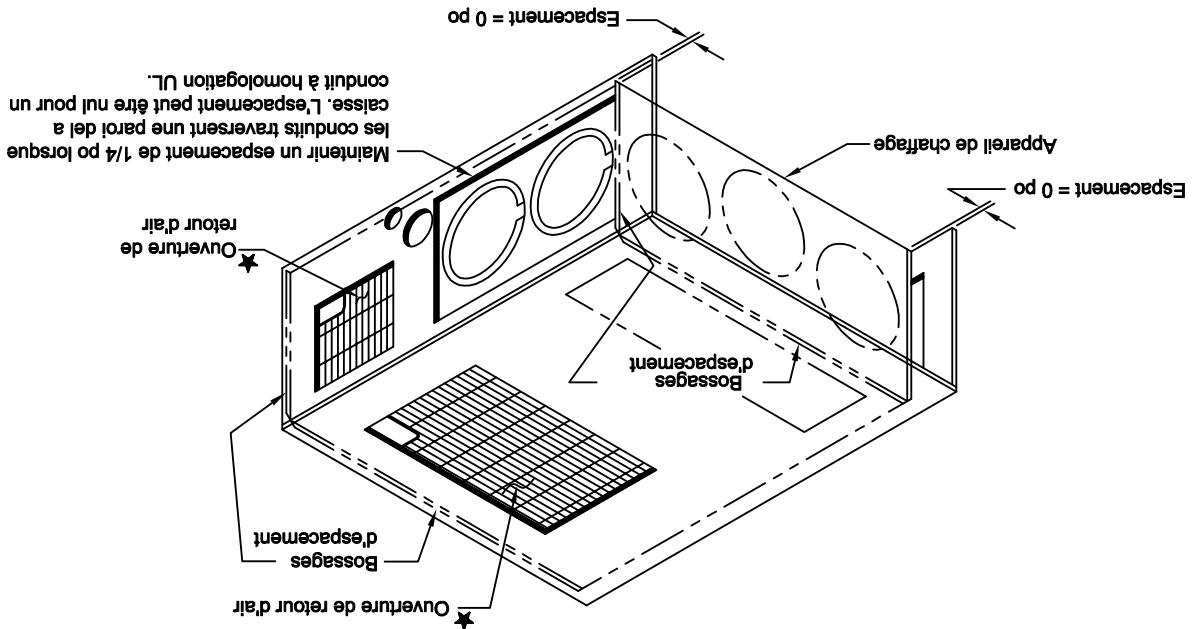
La Figure 5





La Figure 3

★ La surface libre totale sans obstruction des ouvertures de retour d'air de l'appareil de chauffage ne doit pas être inférieure au minimum spécifié à la Table 1.



INSTALLATION ET DÉPOSE DE L'APPAREIL

INSTALLÉ DEPUIS L'INTÉRIEUR

DÉPOSE

1. Déconnecter l'appareil de la source d'alimentation électrique.

2. Déposer les bouches d'admission d'air/décharge.

3. Déconnecter la source de gaz.

4. Déposer l'avant de la caisse (2 vis).

5. Ôter les vis de fixation au centre de l'appareil, et retirer l'appareil de la caisse.

INSTALLATION

1. Insérer l'appareil dans la caisse. **REMARQUE:** Veiller à achever correctement le câblage jusqu'à l'arrière de la caisse et à l'extérieur.

2. Réinstallez les vis fixant la chambre à la caisse.

3. Réinstallez le panneau avant de la caisse.

4. Connecter la source de gaz.

5. Inspecter les connexions de la canalisation de gaz. Rechercher les fuites avec une

solution savonneuse. Éliminer toute fuite immédiatement.

6. Réinstaller les bouches d'admission d'air/décharge.

7. Reconnecter l'alimentation électrique.

INSTALLATION ET DÉPOSE DE L'APPAREIL LORSQUE LE PANNEAU ARRIÈRE FACULTATIF EST UTILISÉ

DÉPOSE

1. Interrompre l'alimentation électrique.

2. Déposer les bouches d'admission d'air/décharge.

3. Déposer le panneau arrière facultatif.

4. Déconnecter l'appareil de l'alimentation électrique.

5. Débrancher la fiche d'alimentation électrique du bloc modulaire.

6. Déconnecter les fils de l'électrode du bloc modulaire.

7. Ôter les deux vis fixant le bloc modulaire et le panneau à la cloison pare-feu, et retirer l'ensemble. Veiller à ne pas endommager les composants.

REMARQUE: On disposera alors de plus d'espace pour raccorder la source de gaz au niveau du raccord de connexion. Il peut être nécessaire d'immobiliser le

raccord de connexion avec une clé pendant la connexion ou la déconnexion de

la canalisation de gaz.

8. Ôter la canalisation de gaz.

9. Enlever la vis de fixation à la base du ventilateur et retirer l'appareil de la

caisse.

REINSTALLATION

1. Insérer l'appareil dans la caisse; réinstaller la vis à la base du ventilateur.

2. Connecter la canalisation de gaz.

3. Inspecter les connexions de la canalisation de gaz. Rechercher les fuites avec

une solution savonneuse. Éliminer toute fuite immédiatement.

4. Réinstaller le bloc modulaire et le panneau.

5. Reconnecter les fils de l'électrode sur le panneau.

7. Rétablir l'alimentation électrique de l'appareil. **REMARQUE:** Si cette

connexion a été faite à l'intérieur de la caisse, on doit veiller à empêcher les fils

de venir en contact avec la turbine du ventilateur.

8. Réinstaller le panneau arrière facultatif.

9. Réinstaller les bouches d'admission d'air/décharge.

10. Rétablir l'alimentation électrique de l'appareil de chauffage.

INSTRUCTIONS D'UTILISATION

AVERTISSEMENT: Ne jamais faire fonctionner l'appareil lorsque le véhicule est en mouvement ou remorqué.

REMARQUE: Lors de la première utilisation de l'appareil de chauffage, la combustion de l'excès de peinture et des résidus d'huile provenant du processus de fabrication peut susciter l'émission de fumées pendant 5 à 10 minutes.

1. **ATTENTION!** Lire le manuel d'information de l'utilisateur fourni avec l'appareil.

2. Ouvrir le robinet d'arrêt de la canalisation de gaz, ou le robinet de la bouteille de propane. Ne pas forcer.

3. Régler le thermostat pour une température supérieure à celle de la pièce pour commander le fonctionnement du ventilateur. Le ventilateur peut se mettre en marche après 5 minutes pour la purge de la chambre de combustion. Si le ventilateur ne s'allume pas ou s'arrête avant le cycle d'allumage, éteindre l'appareil et contacter le revendeur ou un service de réparation local pour véhicule de plaisance.

4. Après 5 minutes, régler le thermostat pour une température inférieure à celle de la pièce. Le ventilateur continue de fonctionner. Le ventilateur devrait s'arrêter après environ 2 minutes.

5. Ouvrir le robinet d'arrêt manuel (s'il y en a un), ou le robinet de la bouteille de propane. L'appareil ne peut fonctionner correctement que si le robinet est complètement ouvert. Ne jamais tenter de faire fonctionner l'appareil alors que le robinet est partiellement fermé. **NOTE:** Cet appareil de chauffage comporte un commutateur de fermeture de la valve. Lorsque le commutateur est à la position d'arrêt <<OFF>>, le brûleur n'est pas alimenté et l'appareil ne peut fonctionner.

6. Régler le thermostat pour la température désirée. Si cette température est supérieure à celle de la pièce, le ventilateur se met en marche.

7. Prévoir un délai de 30 secondes pour l'allumage de la flamme du brûleur principal après la mise en marche du ventilateur. Cet appareil est équipé d'un dispositif d'allumage qui commande automatiquement l'allumage du brûleur. Ne pas essayer d'allumer manuellement la flamme du brûleur.

8. Si le brûleur ne s'allume pas, répéter les étapes 1 à 8.

9. Après trois (3) tentatives sans succès, exécuter les instructions d'arrêt de l'appareil, et contacter le concessionnaire, ou un établissement local de service après-vente. Ne pas tenter de commander l'allumage de la flamme en continuant l'appareil au moyen du thermostat. **NOTE:** Si l'appareil serait bloqué le ventilateur s'arrêtera dans 5 minutes et restera dans la position "arrêt" jusqu'à ce que l'appareil soit réallumé par la réactivation du thermostat.

ARRÊT DE L'APPAREIL

1. Régler le thermostat pour la température la plus, puis déplacer l'aiguille vers la position arrêt.

2. Fermer le robinet manuel (s'il y en a un) de la canalisation de gaz. Ne pas forcer.

RÉGLAGE DE L'ÉLECTRODE

Pour que le processus d'allumage de la flamme fonctionne bien, il est important que l'électrode soit correctement positionnée au-dessus du brûleur. L'électrode a été réglée à l'usine pour qu'elle produise un bon allumage; elle ne devrait nécessiter aucun autre réglage; cependant, advenant que l'allumage du brûleur soit erratique, corriger la position de l'électrode comme suit:

lampe de poche
crayon feutre noir
pince à bec effilé
mètre-ruban

REMARQUE: On doit déposer l'appareil de chauffage (voir les instructions de dépôt de l'appareil).

1. Retirer le brûleur de la chambre de combustion: ôter les six (6) vis qui fixent le brûleur à la chambre de combustion et aux plaques de séparation.

2. Positionner la lance et l'électrode par rapport aux orifices du brûleur:

a. Illuminer le venturi du brûleur avec la lampe de poche, selon l'illustration (veiller à placer le verre de la lampe contre l'extrémité du brûleur).
b. La lumière sera réfléchie par la lance dans le venturi, et elle sera visible à travers une partie des orifices du brûleur (deux rangées au sommet du brûleur).

c. À l'aide d'un crayon feutre noir, tracer une ligne le long du sommet du brûleur parallèle à la lance, et à 3/16 po derrière la lance. Tracer une

d'un thermostat muni d'un antipateur réglable, régler l'antipateur à 0,7A. Choisir une valeur plus élevée si on souhaite augmenter la durée des périodes de chauffage. Choisir une valeur moins élevée si on souhaite diminuer la durée des périodes de chauffage. Ne pas modifier le réglage de l'antipateur de plus de 0,5A à chaque fois.

ENTRETIEN PRÉVENTIF

AVERTISSEMENT! Si l'usager de cet appareil néglige de le maintenir dans les conditions dans lesquelles il avait été expédié de l'usine ou si l'appareil est utilisé intentionnellement dans un but autre que celui pour lequel il a été conçu, ou si l'appareil n'est pas maintenu en état selon les instructions contenues dans ce manuel; Conséquence, le risque d'incendie et/ou de production d'oxyde de carbone se fera, ce qui peut causer des blessures personnelles, dommages de propriété ou la perte de vie.

MISE EN GARDE: Étiqueter tous les fils avant de les déconnecter pour des opérations d'entretien. Respecter la polarité indiquée pour que le moteur du ventilateur tourne dans le sens correct et puisse faire circuler l'air correctement. (Voir le schéma de câblage.)

MISE EN GARDE: Étiqueter tous les fils avant de les déconnecter pour des opérations d'entretien. Respecter la polarité indiquée pour que le moteur du ventilateur tourne dans le sens correct et puisse faire circuler l'air correctement. (Voir le schéma de câblage.)

MISE EN GARDE: Étiqueter tous les fils avant de les déconnecter pour les opérations d'entretien des organes de commande. Des erreurs de câblage peuvent susciter un fonctionnement incorrect et une situation dangereuse.

Vérifier toujours le fonctionnement correct de l'appareil après des opérations d'entretien.

Il est utile que l'appareil de chauffage fasse l'objet d'une inspection par un technicien qualifié chaque année avant la mise en service. On doit accorder une attention particulière aux points suivants:

1. Inspecter l'appareil de chauffage et l'installation des bouches d'admission d'air/décharge; vérifier que l'appareil est bien immobilisé en place (voir les instructions de décharge; vérifier que les bouches d'admission d'air/décharge communiquent avec l'atmosphère et qu'il y a un chevauchenement approprié au niveau des connexions des tubes (voir l'installation des bouches d'admission d'air/décharge).

2. Inspecter la chambre de combustion et le dispositif d'admission d'air/décharge pour vérifier que ces composants sont en bon état, sans perforation ou corrosion excessive, et que l'installation ou réinstallation a été exécutée en conformité avec les instructions d'installation de Suburban. (Consulter le manuel d'installation fourni avec cet appareil de chauffage.)

3. Examiner la base sur laquelle l'appareil est installé. Vérifier qu'elle est en bon état physique, sans affaïssement, détérioration, etc.

4. Inspecter l'appareil, les bouches d'admission d'air/décharge, les conduits d'air chaud et la canalisation de gaz; rechercher les signes évidents de détérioration. Réparer immédiatement toute anomalie.

5. Inspecter la chambre de combustion; rechercher les obstructions de l'arrivée d'air ou de la décharge. Il est important qu'il n'y ait aucune obstruction entravant l'arrivée d'air frais ou l'expulsion des gaz de combustion vers l'atmosphère extérieure. Éliminer avec de l'air comprimé toute accumulation de saie ou débris (voir Figure 7.)

6. Inspecter tous les joints; remplacer tout joint comportant des indices de fuite ou détérioration. La qualité de l'étanchéité des joints est un facteur essentiel de la sécurité du fonctionnement.

7. Inspecter les ouvertures de retour de l'air à l'appareil de chauffage. Éliminer toute obstruction entravant la circulation de l'air.

L'utilisateur de l'appareil de chauffage devrait inspecter chaque mois pendant la saison de chauffage pour rechercher la présence de saie dans la canalisation de décharge. Le fonctionnement de l'appareil en présence d'une obstruction dans la canalisation de décharge peut entraîner des dommages matériels ou corporels, voir d'un accident mortel. En cas de l'appareil et contacter un établissement de service compétent.

On présente ci-dessous plusieurs règles de sécurité à observer au cours de la saison de chauffage pour maintenir la sécurité du fonctionnement de l'appareil.

1. Inspecter le système de décharge des gaz de combustion. Il faut qu'il n'y ait aucune obstruction ou accumulation de saie et que le conduit se termine correctement dans l'atmosphère. (Voir l'installation des bouches d'admission d'air/décharge.)

AVERTISSEMENT! Ne pas installer un grilbage sur la bouche de décharge, quelle que soit la saison. Un grilbage s'encrassera et ceci dégradera la sécurité de fonctionnement. On trouve sur le marché certains accessoires destinés aux véhicules récréatifs, dont nous recommandons l'emploi. Pour la sécurité des utilisateurs, utiliser avec cet appareil de chauffage uniquement les composants autorisés par l'usine.

2. Inspecter périodiquement la bouche de décharge pour rechercher les obstructions ou la présence de saie. De la saie se forme chaque fois que la combustion est incomplète. C'est un indice visuel d'une déficience de la combustion. En cas de découverte de saie dans la canalisation de décharge, arrêter immédiatement l'appareil et contacter un établissement de service compétent.

3. Veiller à la propreté de l'appareil. La présence dans l'atmosphère d'une quantité excessive de peluches provenant des tapis, matériaux de literie, etc., peut nécessiter des nettoyages plus fréquents. Il est impératif d'entretenir la propreté des organes de commande, des brûleurs et des passages de circulation de l'air.

4. Le moteur comporte une lubrification permanente; il ne nécessite aucun graissage.

5. Veiller à ce que le voisinage de l'appareil soit toujours exempt de matériaux combustibles, essence et autres produits inflammables, liquides ou gazeux.

6. Avant de faire fonctionner l'appareil, inspecter la bouche de décharge pour vérifier qu'elle n'est pas obstruée, par exemple par une porte du véhicule. Si ceci se produit, ne pas faire fonctionner l'appareil de chauffage lorsque la porte est ouverte.

7. Ne pas traverser la circulation vers l'appareil de l'air utilisé par la combustion ou de l'air chaud. Ceci pourrait être la cause d'un accident grave ou mortel.

8. Ne jamais faire fonctionner l'appareil si une odeur de gaz est perceptible. On ne doit pas supposer qu'une odeur de gaz dans le véhicule récréatif est normale. Chaque fois qu'une odeur de gaz est perceptible, on doit considérer ceci comme une menace et éliminer immédiatement la cause. Éteindre toute flamme nue, y compris les cigarettes, et faire sortir tous les occupants du véhicule. Fermer le robinet de la bouteille de gaz. (Voir l'avis de sécurité en première page de ce manuel.)

9. Arrêter immédiatement l'appareil: si le brûleur fonctionne de manière erratique ou ne s'arrête pas immédiatement, contacter un établissement de service.

AVERTISSEMENT: EN CAS DE CHAUFFAGE EXCESSIF, OU SI L'ALIMENTATION EN GAZ N'EST PAS INTERROMPUE, FERMER LE ROBINET D'ARRÊT MANUEL AVANT D'INTERROMPRE L'ALIMENTATION ÉLECTRIQUE.

10. Ne jamais tenter de réparer des composants endommagés. On doit toujours les faire remplacer par un personnel de service compétent.

11. Ne jamais tenter de réparer l'appareil de chauffage. Confier ces travaux à un technicien compétent.

12. Ne jamais réduire la taille des conduits installés par le constructeur du véhicule. Ceci susciterait un fonctionnement incorrect de l'appareil.

13. Ne pas incorporer un puisiseur d'air dans le conduit. Un tel dispositif susciterait un fonctionnement erratique de l'appareil.

14. Ne pas placer des vêtements ou autres matériaux inflammables sur l'appareil ou à proximité.

15. Respecter toujours strictement les instructions d'utilisation. Aucune déviation n'est permise.

16. Ne pas utiliser cet appareil si un composant quelconque a été immergé dans de l'eau. Contacter immédiatement un technicien d'entretien qualifié qui devra inspecter l'appareil et remplacer tout composant du système de commande et tout organe de contrôle du débit de gaz qui aurait été immergé.

17. Lors de la conception d'une pièce supplémentaire, d'un patio, etc., on doit penser à l'évacuation des gaz de combustion de l'appareil de chauffage. Pour des raisons de sécurité, ne pas terminer le conduit de décharge des gaz de combustion à l'intérieur d'une pièce supplémentaire, d'un patio ou d'un porche grillagé. Dans une telle situation, les produits de combustion pourraient s'introduire dans des pièces ou espaces occupés.

18. Si du fait de la configuration ou d'une caractéristique du véhicule récréatif (comme élément coulissant, etc) la bouche de décharge pourrait être recouverte (comme obstruction ou accumulation de saie et que le conduit se termine correctement dans l'atmosphère. (Voir l'installation des bouches d'admission d'air/décharge.)

OBSTRUÉE OU RECOUVERTE.

FONCTIONNER L'APPAREIL LORSQUE LA BOUCHE DE DÉCHARGE EST

Mise en garde : On ne doit pas prélever l'air de combustion dans l'espace de séjour. Tout l'air de combustion doit être rejeté dans l'atmosphère extérieure. Tout gaz de combustion doit être rejeté dans l'atmosphère extérieure - et jamais à l'intérieur du VR. Par conséquent il est essentiel d'installer convenablement les conduits d'admission d'air et d'évacuation.

1. Appliquer un composé de caiffurage sur la paroi du VR derrière la bouche de décharge (voir la figure 1). Appliquer le produit de caiffurage sans parcourir sur le périmètre de la bouche de décharge, et en travers de la zone centrale (voir illustration).

2. Insérer le tube d'admission d'air à travers la paroi du VR; insérer celui-ci dans la prise d'air de l'appareil de chauffage (voir la figure 1). Il doit y avoir un chevauchement d'au moins 1/2 po du tube dans le raccord.

3. Insérer le tube de la bouche de décharge à travers la paroi du VR, pour l'insérer dans l'office de décharge de l'appareil de chauffage (voir la figure 1). Un chevauchement d'au moins 1/4 po est nécessaire.

4. Fixer la bouche de décharge sur la paroi du VR avec les six (6) vis fournies. Veiller à ne pas installer la bouche de décharge à l'envers; les mot «Suburban» doivent être parfaitement lisibles (à l'endroit).

RACCORDEMENT À LA SOURCE DE GAZ

MISE EN GARDE: Avant l'expédition depuis l'usine, cet appareil de chauffage a été configuré en vue d'un raccordement à la canalisation de gaz sur le côté droit et à l'arrière de l'appareil, comme ceci est indiqué à la figure 1. Si on souhaite réaliser le raccordement à travers le sommet de la caisse, on doit retirer l'appareil de chauffage de la caisse et faire pivoter le **TOURNER LE RACCORD DANS LE SENS ANTIHORAIRE. NE PAS FAIRE** desserrait et ceci susciterait une fuite de gaz.

AVERTISSEMENT: Lors de la rotation du coude, tenir fermement la tubulure de distribution pour éviter d'exercer une force sur le robinet et pour empêcher l'apparition d'une fuite. Veiller à inspecter tous les raccords pour rechercher les fuites, y compris les entrées et sorties de la vane, avant de réinstaller l'appareil de chauffage dans la caisse. Éliminer immédiatement toute fuite. **REMARQUE:** Pour une recherche efficace des fuites, il faut que l'appareil de chauffage soit en marche.

Raccorder la source de gaz à l'appareil de chauffage au niveau de la tubulure d'alimentation, conformément aux suggestions ci-dessous. Il sera nécessaire de maintenir le raccord évasé sur la tubulure d'alimentation de l'appareil lors des opérations de connexion ou des connexions.

REMARQUE: À l'occasion de tout test de pressurisation du système à une pression de test supérieure à 1/2 lb/po²rel., on doit déconnecter l'appareil de la source de gaz.

Lors de tout test de pressurisation de la canalisation de gaz à une pression de test égale ou inférieure à 1/2 lb/po²rel., on doit isoler l'appareil de la source de gaz.

2. Pour qu'il soit possible de contrôler l'alimentation de l'appareil de chauffage, Suburban conseille l'installation d'une prise d'installation pour manomètre - 1/8 NPT - immédiatement en amont du point de raccordement de la source de gaz à l'appareil de chauffage; cette prise de connexion doit être facilement accessible.

3. Après avoir raccordé l'appareil à la source de gaz, inspecter toutes les jointures pour rechercher des fuites.

AVERTISSEMENT! Ne jamais utiliser une flamme nue pour rechercher les fuites. Fermer l'arrivée de gaz, et appliquer de l'eau savonneuse sur toutes les jointures pour déterminer si des bulles se forment.

RACCORDEMENT AU RÉSEAU ÉLECTRIQUE

MISE EN GARDE: Cet appareil de chauffage est conçu pour l'alimentation uniquement par un système 12 V CC à masse négative. Ne jamais tenter de modifier l'appareil pour l'alimentation par un système à masse positive, ni de le connecter directement sur une source 115 V CA. Des composants de l'appareil de chauffage subiraient des dommages. Raccorder uniquement à un circuit protégé à fusible de 20 ampères maximum.

Assurez-vous que tout le câblage de la fournaise a une jauge suffisante pour tenir les chutes de tension au minimum tout en fournissant une alimentation suffisante au moment de l'appel de pointe du démarrage. Il est recommandé d'utiliser un câblage de jauge 12. Si il est nécessaire de remplacer des fils du câblage d'origine de l'appareil, on doit utiliser des fils de câblage pour service à 105°C - ou équivalent.

Le raccordement à la source d'électricité doit être effectué sur le côté droit de l'appareil. Respecter le codage de couleur : rouge pour positif(+) et jaune pour négatif(-). On doit inspecter cette polarité pour que le moteur de l'appareil tourne dans le sens approprié et puisse faire circuler l'air correctement. (Voir le schéma de câblage.)

Si l'appareil doit être alimenté à partir d'un convertisseur, on recommande que le système de conversion utilisé soit connecté en parallèle avec la batterie. Ceci remplira deux fonctions:

1. Fourniture d'une tension constante à l'appareil de chauffage.

2. Filtrage des surtensions ou tensions CA transitoires.

RACCORDEMENT DES CONDUITS À L'APPAREIL DE CHAUFFAGE

A. Utiliser uniquement des conduits ayant la taille minimum indiquée ci-dessous, dans la totalité du système, y compris au niveau des bouches de décharge d'air chaud.

Modèle	CONDUITS LATÉRAUX			CONDUIT DU SOMMET	CONDUIT DU FOND
	Section Libre Minimum	Nombre Min. De Conduits	Taille Des Conduits	Section Libre Minimum	Section Libre Minimum
SF-20	25 po ²	2	4 po	56 po ²	56 po ²
SF-25	36 po ²	3	4 po	56 po ²	56 po ²
SF-30	36 po ²	3	4 po	56 po ²	56 po ²
SF-35	48 po ²	4	4 po	56 po ²	72 po ²
SF-42	48 po ²	4	4 po	56 po ²	72 po ²

REMARQUE: Lors du calcul de la section libre disponible, on ne doit pas tenir compte des conduits qui se terminent dans un espace fermé (comme le compartiment des réservoirs de rétention) sans moyen de recyclage de l'air. De même, on ne doit pas tenir compte dans le calcul des conduits de diamètre de 2 po ou moins.

B. Aucun registre de sortie ne doit être placé à moins de 18 po de retour d'air. Tout registre installé à 18 po ne doit jamais être réglé de façon à souffler l'air évaqué vers l'ouverture de retour d'air. En cas d'installation d'un registre sur une paroi à 90° par rapport au retour d'air, la distance peut être inférieure à 18 po.

C. Veiller à l'étanchéité entre les conduits et la caisse de l'appareil. Des connexions mal ajustées susciteront un échauffement excessif des composants de l'appareil de chauffage et une réduction du débit d'air chauffé à travers les conduits.

D. Éviter d'incorporer des changements de direction très accentués dans le système de conduits. De tels changements de direction augmentent la pression statique dans le plénum et peuvent susciter un fonctionnement intermittent de l'appareil.

E. Minimiser le nombre de changements de direction. La performance du système est d'autant meilleure que le conduit est plus rectiligne.

F. Lorsque le conduit traverse une paroi de matériaux combustibles, comme la paroi d'un placard du véhicule, maintenir un espacement d'au moins 1/4 po (voir Figure 3). **REMARQUE:** L'espacement peut être nul dans le cas de conduits à homologation UL.

G. Ne pas incorporer un puits d'air dans le conduit. Un tel dispositif susciterait un fonctionnement erratique de l'appareil.

REMARQUE: Lorsque l'installation de l'appareil de chauffage et des conduits est terminée, effectuer les ajustements nécessaires pour que l'augmentation de température produite satisfasse la tolérance indiquée sur la plaque signalétique.

INSTALLATION DU THERMOSTAT

Le thermostat utilisé avec cet appareil ne doit avoir AUCUNE tension de sortie dans la tige de retour lorsqu'il n'y a aucun appel de chaleur ou que la commande est réglée à « OFF » (arrêt).

Installer le thermostat à environ 4 1/2 pieds au-dessus du sol, sur une cloison intérieure ou il ne sera exposé qu'à l'air de la pièce et à aucun source de chaleur. Raccorder les fils du thermostat aux fils bleus sur le côté droit de l'appareil. (Voir le schéma de câblage.) Si l'appareil de chauffage est doté

1. Choisir un emplacement d'installation où il n'y aura pas de fils, tuyaux, etc. susceptibles d'interférer avec l'installation. Respecter les valeurs minimales des dégagements de sécurité/séparation des matières combustibles, indiquées à la dimension du véhicule.

2. Choisir un emplacement d'installation où il n'y aura pas de fils, tuyaux, etc. susceptibles d'interférer avec l'installation. Respecter les valeurs minimales des dégagements de sécurité/séparation des matières combustibles, indiquées à la dimension du véhicule.

11. Installer l'appareil de chauffage au voisinage du centre de la plus grande épaisseur maximum de la cloison pour ce type d'installation: 2 po.

C. INSTALLATION AVEC UTILISATION DE LA PORTE D'ACCÈS FOURNIE PAR SUBURBAN (VOIR FIGURE 4)

11. Installer les bouches de décharge et d'admission d'air. (Voir les instructions d'installation.)

10. Glissez l'appareil de chauffage dans la caisse. Assurez vous que l'appareil est bien fixé dans la caisse. (Voir Figure 4.)

9. Fixer l'appareil de chauffage au plancher en utilisant les deux (2) trous prévus à cet effet dans le bâti de l'appareil. (Voir Figure 4.)

8. Mettre l'appareil en place: veiller à ce que l'arrière de la caisse de l'appareil soit aussi près que c'est possible de la paroi interne du véhicule, tout en permettant le chevauchement convenable des tubes des bouches de décharge et d'admission d'air. (Voir l'installation des bouches de décharge et d'admission d'air.)

7. Percer deux trous de 2,75 po dans le panneau extérieur ou la paroi externe. (voir la figure 3)

6. Choisir l'emplacement de l'axe des bouches de décharge et d'admission d'air, voir la Figure 1.

5. Après avoir déterminé la dimension "X", finissez l'installation de l'appareil de la manière suivante:

ATTENTION! Ne pas altérer, couper ou modifier en aucune manière les tubes fournis par Suburban. Le faire pourrait résulter en une arrivée d'air de combustion inadéquate ou en une mauvaise décharge d'air de l'appareil.

4. Déterminez la dimension "X" comme indiqué dans la Figure 2. Les tubes fournis avec l'appareil conviendront pour une distance de "X", mesurant 0 à 1 1/2 pouces. Si la distance "X" plus que 1 1/2 pouces, les tubes spéciaux, comme indiqué dans le tableau de la Figure 2, doivent être commandés.

3. Lorsque l'appareil est installé directement sur du tapis, un carrelage ou d'autres matériaux combustibles autres qu'un plancher de bois, installer l'appareil sur un panneau métallique ou de bois dont la longueur et la largeur sont égales ou supérieures aux dimensions de l'appareil. Si on le préfère, on peut découper le tapis, le carrelage ou les matériaux combustibles autres que le bois sur la totalité de la longueur et de la largeur de l'appareil, plus les valeurs minimales de dégagement de sécurité/séparation des matières combustibles. (Voir Table 2.)

2. Choisir un emplacement d'installation où il n'y aura pas de fils, tuyaux, etc. susceptibles d'interférer avec l'installation. Respecter les valeurs minimales des dégagements de sécurité/séparation des matières combustibles, indiquées à la dimension du véhicule.

1. Installer l'appareil de chauffage au voisinage du centre de la plus grande dimension du véhicule.

B. INSTALLATION PAS CONTRE LE PANNEAU EXTÉRIEUR OU LA PAROI EXTERNE, ET DIMENSION "X" SUPÉRIEURE À 1,5PO (VOIR FIGURE 2) (Panneau extérieur fourni par l'installateur)

10. Installer les bouches de décharge et d'admission d'air. (Voir les instructions d'installation.)

9. Glissez l'appareil de chauffage dans la caisse. Assurez vous que l'appareil est bien fixé dans la caisse. (Voir Figure 4.)

8. Fixer l'appareil de chauffage au plancher en utilisant les deux (2) trous prévus à cet effet dans le bâti de l'appareil. (Voir Figure 4.)

7. Mettre l'appareil en place: veiller à ce que l'arrière de la caisse de l'appareil soit aussi près que c'est possible du panneau externe du véhicule, tout en permettant le chevauchement convenable des tubes des bouches de décharge et d'admission d'air. (Voir l'installation des bouches de décharge et d'admission d'air.)

6. Percer deux trous de diamètre 2 1/4 po à travers le panneau externe du véhicule. (Voir Figure 1.)

5. Choisir l'emplacement de l'axe des bouches de décharge et d'admission d'air, voir la Figure 1.

4. Découper une ouverture dans la paroi interne. Ceci permettra de placer l'arrière de l'appareil de chauffage contre le panneau externe du véhicule.

Table 2. Voir également l'illustration à la Figure 3.

3. Lorsque l'appareil est installé directement sur du tapis, un carrelage ou d'autres matériaux combustibles autres qu'un plancher de bois, installer l'appareil sur un panneau métallique ou de bois dont la longueur et la largeur sont égales ou supérieures aux dimensions de l'appareil. Si on le préfère, on peut découper le tapis, le carrelage ou les matériaux combustibles autres que le bois sur la totalité de la longueur et de la largeur de l'appareil, plus les valeurs minimales de dégagement de sécurité/séparation des matières combustibles. (Voir Table 2.)

4. Après avoir déterminé l'emplacement de l'appareil de chauffage, coupez une ouverture de 18-7/32 X8-9/32 pouces dans le mur intérieur vers la paroi extérieure du véhicule. **NOTE:** Le bas de la découpe doit se trouver à 8/16 pouces du plancher. (Voir Figure 4.)

5. Calféauter sans parçimonie autour de l'ouverture (voir l'illustration). La fonction du calfeutrage est d'assurer l'étanchéité entre la paroi externe du véhicule et la face arrière du cadre de la porte.

6. Fixer le cadre à la paroi externe du véhicule: utiliser des vis placées dans les trous du cadre. (Voir Figure 4.)

NOTE: Ne mettez pas les vis dans les trous prévus pour l'assemblage de la porte.

7. Faire glisser l'appareil pour le mettre en place. La face arrière de l'appareil de chauffage doit être installée en contact avec (ou aussi près que possible) le cadre de la porte (voir l'illustration). L'appareil doit maintenir un chevauchement de 1/2 po avec la bouche d'admission d'air et un chevauchement de 1 1/4 po avec la bouche de décharge.

8. Fixer l'appareil de chauffage dans la caisse. Assurez vous que l'appareil est bien fixé dans la caisse. (Voir Figure 4.)

10. Positionnez la porte d'accès de l'appareil de chauffage dans l'encadrement. Fixez la port à la paroi du véhicule de récréation.

ATTENTION: Les vis fournies avec la porte peuvent ne pas être de la longueur et dimension nécessaires pour toutes les demandes et il peut être nécessaire être nécessaire pour l'installateur de substituer les vis afin de fixer adéquatement la porte d'accès de l'appareil de chauffage.

ATTENTION: Les vis fournis avec la porte peuvent ne pas être de la longueur et dimension nécessaires pour toutes les demandes et il peut être nécessaire pour l'installateur de substituer les vis afin de fixer adéquatement la porte d'accès de l'appareil de chauffage.

11. Installer les bouches de décharge et d'admission d'air. (Voir les instructions d'installation.)

REMARQUE		0 PO = AUCUN BOSSAGE D'ESPACEMENT		ESPACEMENT ENTRE CONDUITS ET MATÉRIAUX COMBUSTIBLES: 1/4 PO (Voir Figure 3)	
Modél	Avant	Côté Gauche	Côté Droit	Sommit	Fond
Tubes de décharge	3/8 po	1 po	0 po	0 po	0 po
et d'admission d'air	3/8 po	1 po	0 po	0 po	0 po
	SF-20	1 po	0 po	0 po	0 po
	SF-25	1 po	0 po	0 po	0 po
	SF-30	1 po	0 po	0 po	0 po
	SF-35	1 po	0 po	0 po	0 po
	SF-40	1 po	2 po	1 po	0 po
					3/8 po

Table 2

INSTALLATION DU CONDUIT D'ÉVACUATION

Le circuit d'évacuation doit être installé de telle manière que la bouche de décharge se trouve dans la même zone de pression atmosphérique que la prise d'air de combustion. Les tubes de décharge et d'admission d'air doivent être installés depuis l'extérieur, et traverser la paroi du VR, pour atteindre les bouches d'admission et d'évacuation de l'appareil de chauffage.

Avvertissement! Jeter l'emballage du ventilateur fourni avec la fourniture. L'assemblage du ventilateur fourni avec la trousses de montage doit être utilisé. Suburban recommande que tous les ventilateurs soient installés avec le bouchier anti-pluie fourni (voir figure 1; détail <<A>>). Ne pas modifier le système d'évacuation fourni avec cet appareil de chauffage. Toute modification provoquera une déficience de l'installation pouvant susciter un fonctionnement dangereux de l'appareil.

INSTRUCTION D'INSTALLATION

AVERTISSEMENT! L'installation de cet appareil doit être exécutée en accordance avec les instructions écrites fournies dans le manuel. Aucun agent-représentant ou employé de Suburban ou autre personne, n'a l'autorité pour changer, modifier ou déroger le contenu des instructions fournies dans ce manuel.

Ces appareils de chauffage sont conçus et installés d'une manière telle qu'on ne puisse enlever l'appareil que depuis l'extérieur récréatif.

MISE EN GARDE: Si c'est possible, ne pas installer l'appareil de chauffage dans une configuration telle que la bouche de décharge pourrait être recouverte ou obstruée lors de l'ouverture d'une porte du véhicule. Si ceci n'est pas possible, on doit limiter le mouvement d'ouverture de la porte afin qu'il y ait un espacement libre de sécurité d'au moins 6 po entre la bouche de décharge de l'appareil de chauffage et toute porte lorsque la porte est ouverte.

NOTE: La température de l'échappement de cet appareil de chauffage peut décolorer ou détériorer certains matériaux. Vérifiez toujours que le matériel utilisé pour la porte du véhicule, panneau ou le couvercle ne décolorera ou ne déformera pas à cause de la température de l'échappement de l'appareil de chauffage quand une porte, un panneau, ou un couvercle est dans la position ouverte.

MISE EN GARDE: Du fait des différences entre les divers parements de vinyle, ne pas installer cet appareil sur un parement de vinyle avant d'avoir d'abord consulté le fabricant du parement, ou découpé le parement au voisinage de la bouche de décharge de l'appareil.

MISE EN GARDE: Si du fait de la configuration ou d'une caractéristique du véhicule récréatif (comme élément coulisant, etc) la bouche de décharge pourrait être recouverte ou obstruée, régler le thermostat à la position d'arrêt absolu, interrompre l'alimentation électrique et fermer l'arrivée de gaz. NE JAMAIS FAIRE FONCTIONNER L'APPAREIL LORSQUE LA BOUCHE DE DÉCHARGE EST OBSTRUÉE OU RECOUVERTE.

MISE EN GARDE: Avant l'expédition depuis l'usine, cet appareil de chauffage a été configuré en vue d'un raccordement à la canalisation de gaz sur le côté droit et à l'arrière de l'appareil, comme ceci est indiqué à la Figure 1. Si on souhaite réaliser le raccordement à travers le sommet de la caisse, on doit retirer l'appareil de chauffage de la caisse et faire pivoter le raccord d'entrée de gaz de 90° DANS LE SENS HORAIRE. NE PAS FAIRE TOURNER LE RACCORD DANS LE SENS ANTIHORAIRE; le raccord se desserrerait et ceci susciterait une fuite de gaz.

AVERTISSEMENT: Lors de la rotation du coude, tenir fermement la tubulure de distribution pour éviter d'exercer une force sur le robinet et pour empêcher l'appareil d'une fuite. Veiller à inspecter tous les raccords pour rechercher les fuites, y compris les entrées et sorties de la vanne, avant de réinstaller l'appareil de chauffage dans la caisse. Éliminer immédiatement toute fuite.**REMARQUE:** Pour une recherche efficace des fuites, il faut que l'appareil de chauffage soit en marche.

REMARQUE: On doit installer ces appareils de chauffage et les relier à l'atmosphère de la manière décrite dans ce manuel, afin que la dépression atmosphérique par le ventiletteur de l'air (air de retour) ne puisse affecter l'admission d'air ou l'évacuation des gaz de combustion de tout autre appareil. Il est impératif que les produits de combustion soient rejetés dans l'atmosphère d'un espace approprié et que tout air acheminé à l'appareil pour la combustion soit prélevé dans l'atmosphère extérieure. (Voir l'installation du système d'admission d'air et évacuation des gaz de combustion.)

REMARQUE: Lors de l'installation de l'appareil, ne pas orienter la bouche de décharge vers l'avant du véhicule.

IMPORTANT: Si cet appareil de chauffage doit être raccordé à un circuit de conduits qui dessert également un appareil de climatisation, on doit installer un volet à manœuvre manuelle de destination destinée à empêcher l'air refroidi de se diriger vers l'appareil de chauffage. Le passage d'air refroidi dans la chambre de combustion de l'appareil de chauffage alors que le climatiseur fonctionne susciterait une condensation d'eau dans la chambre de combustion; cette condensation peut favoriser la corrosion et conduire à une défaillance prématurée de la chambre de combustion de l'appareil de chauffage.

REMARQUE: Lors de l'installation de l'appareil de chauffage, on doit veiller à protéger les composants électriques contre l'eau.

Le conception de ces appareils de chauffage est homologuée pour l'alimentation au gaz propane seulement. Ne pas tenter de convertir l'appareil pour l'alimentation au gaz naturel.

Pression d'admission du gaz : aux fins du réglage de l'alimentation:

Minimum - 11 po H₂O*
Maximum - 13 po H₂O*

Aux E.-U., on doit installer l'appareil en conformité avec les prescriptions des codes et règlements locaux; en l'absence de tels codes ou règlements, consulter l'édition la plus récente de:

1. Normes NFPA 1192 - Véhicules récréatifs.
2. Code ANSI Z223.1 - National Fuel Gas Code.
3. L'appareil doit être relié électriquement à la masse conformément aux prescriptions de l'édition la plus récente du Code national des installations électriques, NFPA 70.

Au Canada, l'appareil de chauffage doit être installé en conformité avec les prescriptions de:

1. Normes CSA Z240.0, 2-08 - Véhicules récréatifs.
2. Normes Z240.6, 2-08 C22.2 No. 148-08 - Installation électrique des véhicules récréatifs.
3. Normes Z240.4, 2-08 - Installation des équipements et appareils à propane dans les véhicules récréatifs.

4. Code d'installation CAN/CGA-B-149.
5. Tout code ou règlement local applicable.

Cet appareil est muni d'un dispositif d'allumage électrique suscitant une demande de courant de 0,1 A, sous 12 V CC.

Pour l'installation de l'appareil de chauffage, on peut utiliser l'une des trois méthodes décrites ci-dessous. Quelle que soit la méthode choisie, le véhicule récréatif doit comporter une ouverture extérieure permettant le passage sans obstruction de l'appareil. Il ne peut s'agir d'un panneau ou section de paroi amovible; dimensions minimales: 17 3/4 x 8.

Le fonctionnement normal de l'appareil de chauffage nécessite un retour d'air adéquat. Toute insuffisance de l'alimentation en air suscitera un fonctionnement erratique de l'appareil. Pour déterminer le volume d'air minimum nécessaire, consulter le tableau ci-dessous.

Table 1

Modèle	Taille minimum de l'ouverture libre d'arrivée d'air
SF-20/25/30/35	55po*
SF-42	142 po** *Réduction possible à 88 po* si on utilise 5 conduits.

REMARQUE: L'air de retour doit provenir de l'intérieur de l'espace de séjour du véhicule.

NOTE: pour un VR comportant une cloison de séparation d'un espace de fret (poite à joues) pour le transport de véhicules à combustion interne, il ne doit pas y avoir d'ouverture de retour d'air depuis cette zone.

A. INSTALLATION DIRECTEMENT CONTRE UN PANNEAU EXTÉRIEUR DU VÉHICULE (voir Figure 1) (Panneau fourni par l'installateur)

Épaisseur maximum de la cloison pour ce type d'installation: 2 po.

1. Installer l'appareil de chauffage au voisinage du centre de la plus grande dimension du véhicule.

2. Choisir un emplacement d'installation où il n'y aura pas de fils, tuyaux, etc. susceptibles d'interférer avec l'installation. Respecter les valeurs minimales des dégagements de sécurité/séparation des matières combustibles, indiquées à la Table 2. Voir également l'illustration à la Figure 3.

3. Lorsque l'appareil est installé directement sur du tapis, un carrelage ou d'autres matériaux combustibles autres qu'un plancher de bois, installer l'appareil sur un panneau métallique ou de bois dont la longueur et la largeur sont égales ou supérieures aux dimensions de l'appareil. Si on le préfère, on peut découper le tapis, le carrelage ou les matériaux combustibles autres que le bois sur la totalité de la longueur et de la largeur de l'appareil, plus les valeurs minimales de dégagement de sécurité/séparation des matières combustibles. (Voir Table 2.)

proche centre de service Suburban.

Pour toute demande d'information, contacter le concessionnaire ou le plus

UTERIEURE.

CONSOMMATEUR: CONSERVEZ CETTE NOTICE POUR CONSULTATION

INSTALLATEUR: LAISSEZ CETTE NOTICE AVEC L'APPAREIL.

voire appareil de chauffage.

Ce manuel contient des instructions couvrant le fonctionnement et l'entretien de

- POUR VOTRE SÉCURITÉ**
- Que faire si une odeur de gaz est perceptible:
- Éteindre toute flamme nue.
 - Faire sortir toute personne du véhicule.
 - Interrompre l'alimentation en gaz, à la source ou au niveau de la bouteille de gaz.
 - Ne toucher aucun commutateur électrique et ne pas utiliser la radio ou un téléphone dans le véhicule.
 - Ne pas mettre en marche le moteur du véhicule ou un générateur électrique.
 - Pour les réparations, contacter le fournisseur de gaz le plus proche ou un établissement de réparation qualifié.
 - S'il n'est pas possible de contacter un fournisseur de gaz ou un établissement de réparation compétent, contacter le service de pompiers le plus proche.
 - Ne pas rétablir l'alimentation en gaz avant d'avoir éliminé les fuites.

AVERTISSEMENT: Veiller à ce que cet appareil de chauffage et tout système d'allumage soient arrêtés lors du remplissage d'un réservoir de carburant ou combustible, de même que lorsque le véhicule est en mouvement ou remorqué.

AVERTISSEMENT: Toute déficience dans les opérations d'installation, réglage, modification, réparation ou entretien peut être la cause de dommages matériels ou corporels, voire d'un accident mortel. Consulter les instructions d'installation et/ou le manuel d'utilisation fournis avec cet appareil. Les opérations d'installation et de réparations doivent être exécutées par un installateur compétent ou le personnel d'un établissement de service ou du fournisseur de gaz.

POUR VOTRE SÉCURITÉ
NE PAS REMISER OU UTILISER DE LIQUIDES OU GAZEUX INFLAMMABLES À PROXIMITÉ DE CET APPAREIL OU D'UN AUTRE APPAREIL.

L'appareil a été inspecté avant son départ de l'usine. Advenant qu'un composant quelconque soit endommagé, ne pas installer l'appareil. Immédiatement le transporter pour soumettre une demande

La conception de cet appareil de chauffage a été homologuée pour l'installation dans les véhicules récréatifs seulement. Pour que l'appareil fonctionne en conformité avec les critères de sécurité généralement acceptés, on doit se conformer aux instructions d'installation. Toute non-conformité par rapport aux instructions d'installation rend la garantie de l'appareil invalide et annule toute responsabilité de la part de Suburban Manufacturing Company.



APPARELS DE CHAUFFAGE À GAZ SUBURBAN
INSTRUCTIONS POUR L'INSTALLATION
POUR MODÈLES
SF-20 • SF-25 • SF-30 • SF-35 • SF-42



SUBURBAN MANUFACTURING COMPANY
 676 Broadway Street
 Dayton, Tennessee 37321
 423-775-2131
www.rvccomfort.com

a division of AIRXCEL, Inc.

Suburban
 Manufacturing Company

