

Cummins **Onan**



Parts Manual

RV Generator Set

HDKAH (Spec L-P)

HDKAJ (Spec L-M)

HDKAK (Spec L-P)

Introduction

This parts catalog applies to the standard generator sets listed below. Parts are arranged in groups of related items and each illustrated part is defined by a reference number corresponding to the same reference number in the parts list. Parts illustrations are typical. Using the model and specification number from your generator set nameplate, select parts that apply to your set. Right and left sides are determined by facing the engine end (front) of the set.

Generator Set Data Table

Model Identification	Fuel	Wiring Diagram	Voltage	Hertz	Phase
6.0HDKAH-1044L	Diesel	611-1236	120	60	1
7.5HDKAJ-1044L	Diesel	611-1236	120	60	1
7.5HDKAJ-1045L	Diesel	611-1236	120	60	1
7.5HDKAJ-11296L	Diesel	611-1236	120	60	1
7.5HDKAJ-11451L	Diesel	611-1236	120	60	1
7.5HDKAJ-11454L	Diesel	611-1236	120	60	1
7.5HDKAJ-11502L	Diesel	611-1236	120	60	1
8.0HDKAK-1046L	Diesel	611-1236	120	60	1
8.0HDKAK-11296L	Diesel	611-1236	120	60	1
8.0HDKAK-11451L	Diesel	611-1236	120	60	1
8.0HDKAK-11454L	Diesel	611-1236	120	60	1

* – The specification number denotes customer requested options or deviations from a standard (1A, 1B, etc.) model. The specification letter advances (A, to B, to C, etc.) with major manufacturing changes.

This Page Intentionally Left Blank.

Index

A

Arm, Rocker, **22**
Assy, Cap Panel, **43**
Assy, Cover Enclosure, **43**
Assy, Cover Enclosure (Rail), **43**
Assy, Main Bearing Case, **13**
Assy, Pump Injection, **16**
Assy, Wheel Bearing Case, **13**

B

Baffle, Inlet, **32**
Ball, Injection Pump Gear, **17**
Ball, Valve Seat, **27**
Base, Mounting, **42**
Bearing, Carrier Ball, **24**
Bearing, Crankshaft, **13**
Bearing, Fuel Camshaft, **17**
Bearing, Water Pump Ball, **28**
Belt, Water Pump, **39**
Block, AC Terminal, **49**
Block, Battery Harness Terminal, **50**
Block, Cylinder, **9**
Block, Exhaust Fiberglass, **41**
Bracket, Inverter, **47**
Bracket, Rocker Arm, **22**
Breaker, Circuit, **49**
Bushing, Crankshaft, **11**
Bushing, Idle Gear, **12**
Bushing, Piston Pin, **11**

C

Camshaft, **12**
Camshaft, Fuel, **17**
Cap, Coolant Drain, **35** , **36**
Cap, Coolant Fill, **35** , **36**
Cap, Coolant Recovery, **37**
Cap, Cylinder Block Sealing, **9**
Cap, Cylinder Head Sealing, **18**
Cap, Speed Control, **15**

Cap, Valve, **22**
Carrier, **24**
Case, Governor Ball, **17**
Clamp, **30**
Clamp, Hose Bracket, **35** , **36**
Clamp, Isolator, **41**
Clamp, Loop, **47**
Clamp, Loop (1.44"), **37**
Clamp, Loop (3/4"), **32**
Clip, Loop, **47**
Coil, Governor, **24**
Collar, **23**
Collar, Crankshaft, **11**
Collet, Valve Spring, **22**
Components, Injection Nozzle, **20**
Components, Water Pump, **28**
Control, Speed, **15**
Cooling System 8BHDKAK-2010K, **36**
Core, Battery Harness Ferrite, **50**
Cover, AC, **43**
Cover, Access, **43**
Cover, Air Cleaner (Intake), **32**
Cover, Air Cleaner Element, **32**
Cover, Bearing Plate, **13**
Cover, Enclosure, **43**
Cover, Enclosure (Access), **43**
Cover, Fuel Camshaft, **9**
Cover, Gearcase Hole, **27**
Cover, Governor, **24**
Cover, Main Bearing, **13**
Cover, Valve, **26**
Cover, Water Temperature Thermostat, **25**
Crankshaft, **11**

D

Door, Maintenance, **42**

E

Element, Intake Air Cleaner, **32**

Index

Enclosure, **43**
Enclosure 8HDKAK–2010, **44**
Engine, Replacement, **9**
Exhaust Manifold, **40**
Exhaust, (Flex Pipe), **41**
Eye, Lifting, **18**

F

Fan, Generator, **45 , 46**
Filter, Fuel, **30**
Filter, Oil, **27**
Fitting, Bulkhead, **29 , 30**
Fitting, Coolant "T" Hose, **35 , 36**
Flange, Component Water Pump, **28**
Flange, Outlet Water Pump, **25**
Fuel, EFI Filter, **29**
Fuse, **48**

G

Gasket, **23**
Gasket, Bearing Plate Cover, **13**
Gasket, Case Cover, **13**
Gasket, Control Plate, **23**
Gasket, Cylinder Head, **18**
Gasket, Exhaust Manifold, **40 , 41**
Gasket, Gearcase, **27**
Gasket, Gearcase Hole Cover, **27**
Gasket, Inlet Manifold, **31**
Gasket, Oil Filter Flange, **27**
Gasket, Oil Pan, **38**
Gasket, Oil Pump, **9**
Gasket, Speed Control, **15**
Gasket, Water Flange, **25**
Gasket, Water Pump, **28**
Gasket, Water Temperature Thermostat, **25**
Gauge, Oil Pressure (Remote Panel), **55**
Gauge, Water Temperature (Remote Panel), **55**
Gear, Camshaft, **12**
Gear, Idle, **12**

Gear, Injection Pump, **17**
Gear, Oil Pump Drive, **9**
Gearcase, **27**
Generator, **45 , 46**
Governor, **24**
Grommet, Engine Harness, **48**
Guard, Circuit Breaker, **43 , 44**
Guard, Fan, **42**
Guide, Valve, **18**

H

Hardware, Meter Mounting, **54 , 55**
Harness, AC, **49**
Harness, Battery, **50**
Harness, Engine, **48**
Harness, Extension, **51**
Harness, Pigtail, **51**
Harness, Remote Panel (Gauges), **55**
Harness, Remote Panel (Switch/Hourmeter), **53**
Harness, Remote Panel (Switch/Voltmeter), **54**
Harness, Remote Panel (W/Switch), **52**
Head, Cylinder, **18**
Hinge, Maintenance Door, **42**
Holder Assy, Nozzle, **21**
Holder, Fuse, **48**
Holder, Main Bearing, **13**
Holder, Nozzle, **19**
Hose, Air Bleed, **35 , 36**
Hose, Coolant Fill Neck, **35 , 36**
Hose, Fuel, **30**
Hose, Intake, **32**
Hose, Oil Fill, **37**
Hose, Overflow, **35 , 36**
Hose, Radiator, **35 , 36**
Hourmeter, **43**
Hourmeter (Remote Gauge Panel), **55**
Hourmeter (Remote Switch Panel), **53**
Housing, Air Cleaner, **32**
Housing, Flywheel, **45**

Index

I

Impeller, Water Pump, **28**
Indicator, Oil Level, **37**
Insulation, Cover, **43 , 44**
Insulation, Enclosure, **44**
Insulation, Panel, **43 , 44**
Insulation, Panel Curb, **43 , 44**
Insulation, Rail, **43 , 44**
Insulator, Terminal, **48**
Intake, Air, **32**
Inverter, **47**
Isolator, Muffler, **41**
Isolator, Vibration, **42**

K

Key, Camshaft Feather, **12**
Key, Crankshaft Feather, **11**
Key, Cylinder Block Feather, **9**
Key, Fuel Camshaft Feather, **17**
Kit, Air Cleaner, **32**
Kit, Filter, **29 , 30**
Kit, Nozzle Holder, **19**
Kit, Remote Control Panel (W/Switch), **52**
Kit, Remote Panel (Gauges), **55**
Kit, Remote Panel (Switch/Hourmeter), **53**
Kit, Remote Panel (Switch/Voltmeter), **54**

L

Labels, **56**
Latch, Service Panel, **42**
Lever, Engine Stop, **23**
Lever, Fork, **14**
Lever, Governor, **23**
Lever, Speed Control, **23**
Line, Fuel, **29 , 30**

M

Manifold, Exhaust, **40**
Manifold, Inlet, **31**

Meter, **44**
Meter, Voltage (Remote Panel), **54**
Mount, Inverter, **47**
Muffler, Exhaust, **41**

N

Neck, Coolant Fill, **35 , 36**
Nipple, Gearcase Hex Pipe, **27**
Nozzle, Injection, **19**
Nozzle, Injection Component, **21**
Nut, Speed Control, **23**

O

O'Ring, Gearcase, **27**
O'Ring, Governor Rotor, **24**
O'Ring, Oil Level Indicator, **37**
O'Ring, Oil Pickup Tube, **38**
Outlet, Water, **25**

P

Pan, Oil, **38**
Panel Enclosure, **43**
Panel, Air Baffle, **35 , 36**
Panel, Cap, **44**
Panel, Curb, **43 , 44**
Panel, Printed, **54**
Panel, Rail, **43**
Panel, Remote (W/Switch), **52**
Panel, Remote Gauge, **55**
Panel, Remote Switch/Hourmeter, **53**
Panel, Remote Switch/Voltmeter, **54**
Panel, w /Decal, **55**
PCB Assy, Filter DC, **50**
Pin, Cylinder Block Hollow, **9**
Pin, Cylinder Block Straight, **9**
Pin, Gearcase Spring, **27**
Pin, Governor Spring, **14**
Pipe, Injection, **19**
Pipe, Overflow, **19**

Index

Pipe, Water Pump Return, **28**
Pipe, Water Return, **25**
Piston, **11**
Plate, Camshaft Retaining, **12**
Plate, Fuel Camshaft Retaining, **17**
Plate, Speed Control, **23**
Plug, Cylinder Head Pipe, **18**
Plug, Gearcase Pipe, **27**
Plug, Oil Drain, **38**
Pulley, Drive, **39**
Pulley, Fan, **39**
Pump, Fuel, **29 , 30**
Pump, Injection, **16**
Pump, Water, **28**

R

Radiator, **35 , 36**
Resonator, Intake, **32**
Retainer, Valve Spring, **22**
Ring, Idle Gear Retaining, **12**
Rod, Camshaft Push, **12**
Rod, Injection Nozzle Push, **21**
Rotor, Generator, **45**
Rotor, Governor, **24**

S

Seal, Air Cleaner Spacer, **32**
Seal, Bearing Plate Cover Oil, **13**
Seal, Coolant Hose, **35 , 36**
Seal, Exhaust, Pipe , **41**
Seal, Fuel Pump, **29 , 30**
Seal, Gearcase Oil, **27**
Seal, Housing, **32**
Seal, Injection Nozzle Heat, **19**
Seal, Maintenance Door, **42**
Seal, Oil Drain, **37**
Seal, Valve Stem, **22**
Seal, Water Pump, **28**
Seat, Valve, **27**

Sender, Water Temperature, **25**
Shaft, Governor, **14**
Shaft, Idle Gear, **12**
Shaft, Lever, **23**
Shaft, Rocker Arm, **22**
Shim, Injection Pump, **16**
Sleeve, Air Intake, **32**
Sleeve, Governor, **17**
Spacer, Idle Gear, **12**
Spacer, Injection Nozzle, **21**
Speed Control, **23**
Spring, Fork Lever Governor, **14**
Spring, Governor, **24**
Spring, Injection Nozzle, **21**
Spring, Rocker Arm, **22**
Spring, Valve, **22**
Spring, Valve Seat, **27**
Starter Mounting, **45**
Stator, Generator, **45**
Stick, Oil, **37**
Switch, Oil Pressure, **9**
Switch, Remote Control Panel Rocker, **52**
Switch, Rocker, **43 , 44**
Switch, Start/Stop (Remote Gauge Panel), **55**
Switch, Start/Stop (Remote Hourmeter Panel), **53**

Switch, Start/Stop (Remote Voltmeter Panel), **54**
System, Cooling, **35**
System, Exhaust, **41**
System, Fuel, **29 , 30**

T

Tank, Coolant Recovery, **37**
Tank, Cooling, **37**
Tappet, Camshaft, **12**
Thermostat, Water Temperature, **25**
Transformer, **49**
Trough, Oil Drain, **29 , 30**
Tube, Oil Pickup, **38**

Index

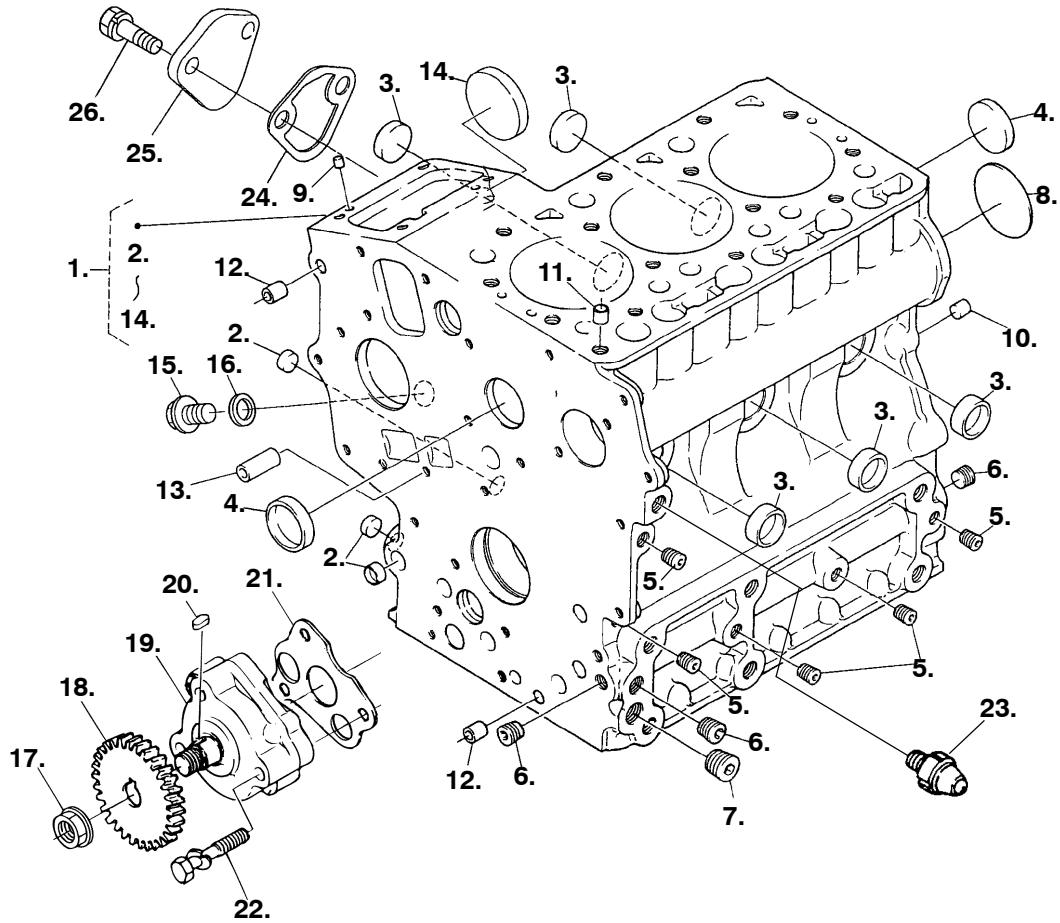
V

Valve, Exhaust, **22**

Valve, Intake, **22**

This Page Intentionally Left Blank.

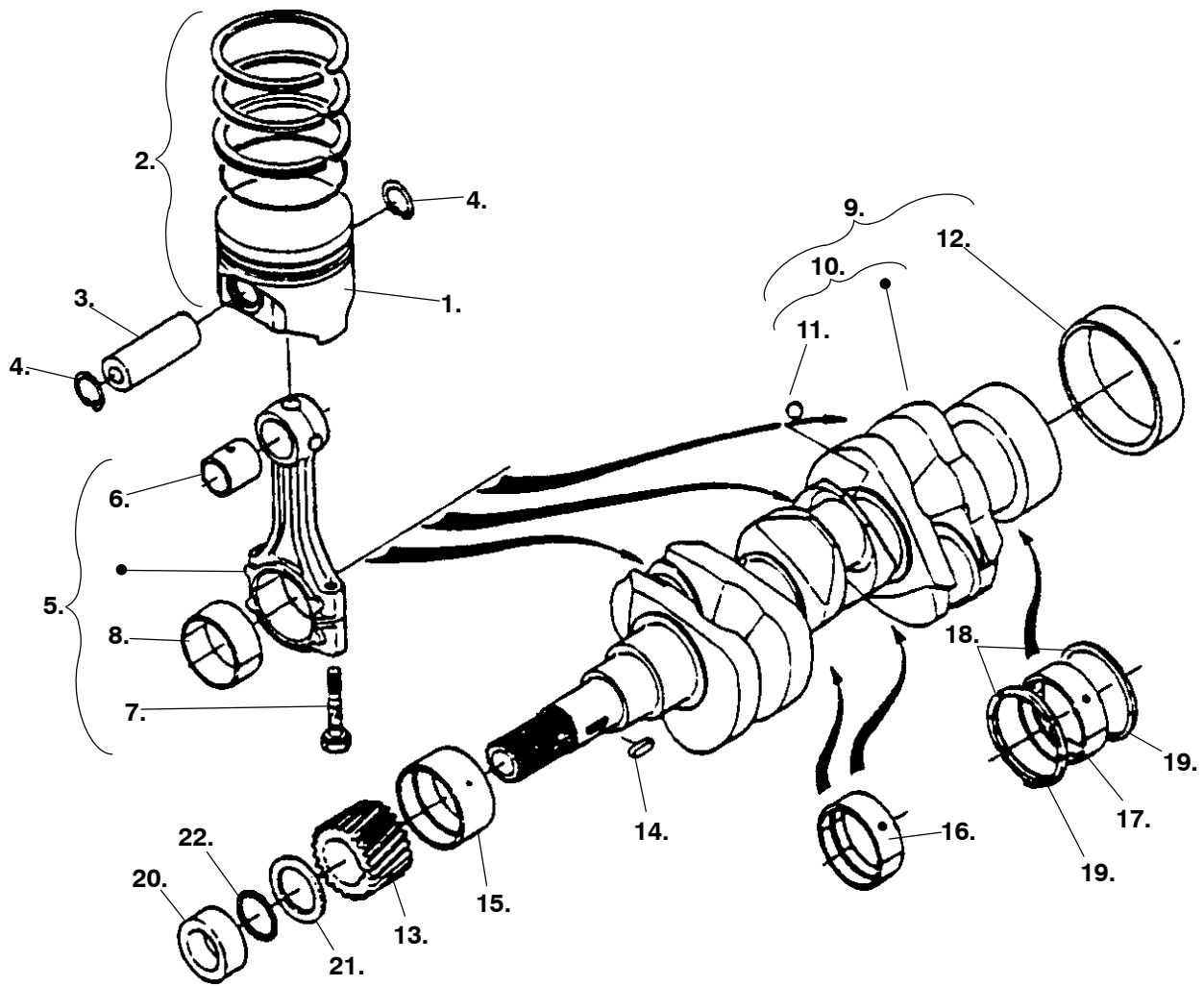
Cylinder Block



REF NO.	PART NO.	QTY USED	PART DESCRIPTION	REF NO.	PART NO.	QTY USED	PART DESCRIPTION
	0100-4111	1	Engine, Replacement (Spec L-M)		A040R285	2	(Spec N)
	A044B674	1	Engine, Replacement (Begin Spec N)	13.	185-5488	2	*Pin, Hollow
1.		1	Block Assy, Cylinder (Includes Parts Marked *) (Spec L-M)	14.	185-5489	1	*Cover, Fuel Camshaft
	110-4125	1	(Spec L-M)	15.	181-9022	1	Plug
	A046W974	1	(Spec N)	16.	509-0549	1	Washer, W/ Seal
2.	185-5482	3	*Cap, Sealing	17.	185-5416	1	Nut
3.	185-5483	5	*Cap, Sealing	18.	A040P916	1	Gear, Oil Pump Drive
4.	185-5484	2	*Cap, Sealing	19.	181-9165	1	Pump, Oil
5.	185-2188	3	*Plug	20.	185-5415	1	Key, Feather
6.	185-2233	1	*Plug	21.	185-5413	1	Gasket, Oil Pump
7.	185-2234	1	*Plug	22.	181-9062	3	Bolt
8.	185-5485	2	*Plug, Expansion	23.	185-5492	1	Switch, Oil Pressure (S15)
9.	185-5486	2	*Pin, Straight	24.	185-5798	1	Cover
10.	185-5487	2	*Pin, Straight	25.	185-6919	1	Gasket, Fuel Pump
11.	185-2094	1	*Pin, Hollow	26.	185-2389	2	Bolt
12.	185-2115	2	*Pin, Hollow (Spec L-M)				

* - All parts included in Cylinder Block Assembly.

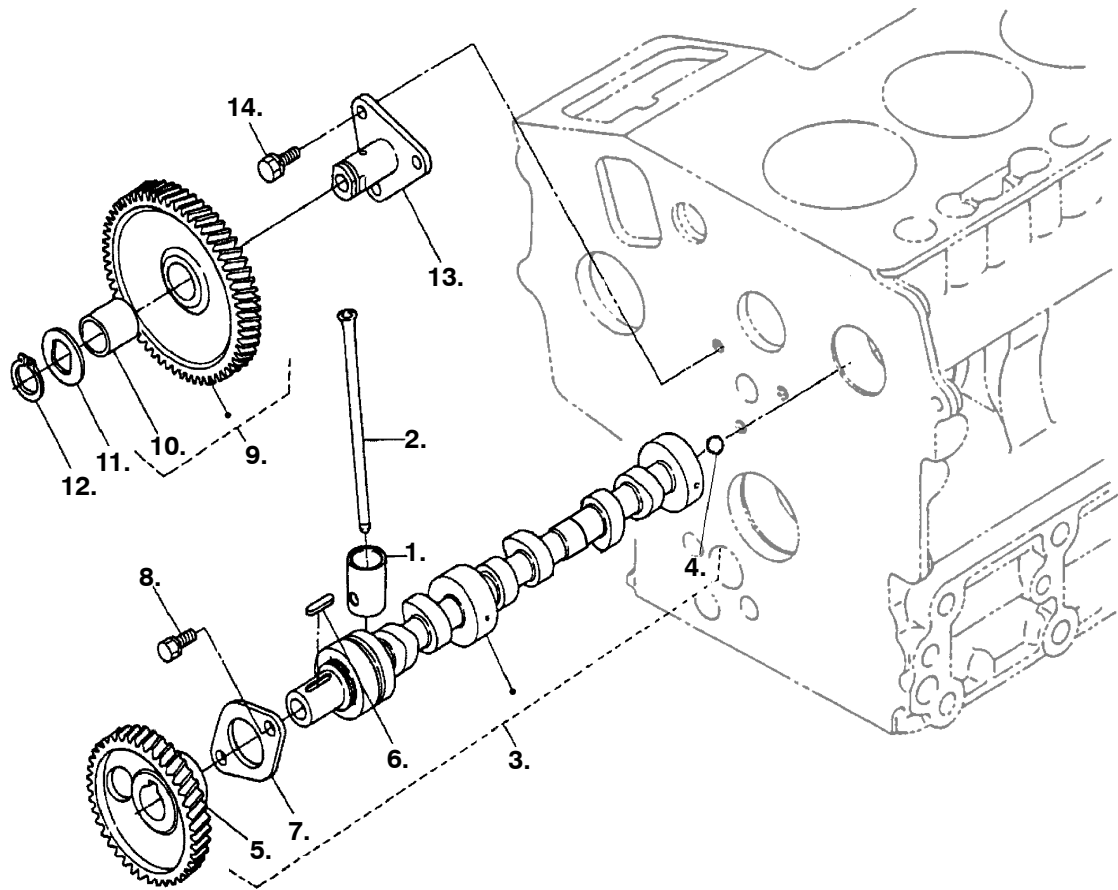
Crankshaft



Crankshaft

REF NO.	PART NO.	QTY USED	PART DESCRIPTION	REF NO.	PART NO.	QTY USED	PART DESCRIPTION
1.			Piston		185-5577	1	Standard
	112-0332	3	(Spec L-M)		185-5578	1	- 0.20 mm
	185-5350	3	(Spec L-M) (.25mm)		185-5579	1	- 0.40 mm
	A046X258	3	(Spec N)	16.			Bushing, Crankshaft
	A046X266	3	(Spec N) (.25mm)		185-5581	2	Standard
2.			Ring, Piston		185-5360	2	- 0.20 mm
	185-7076	3	(Spec L-M)		185-5361	2	- 0.40 mm
	185-7386	3	(Spec L-M) (.25mm)	17.			Bushing, Crankshaft
	A046X269	3	(Spec N)		185-5580	1	Standard
	A046X274	3	(Spec N) (.25mm)		185-5356	1	- 0.20 mm
3.	185-5568	3	Pin, Piston		185-5357	1	- 0.40 mm
4.	185-2016	6	Circular Clip, Piston Pin	18.			Bushing, Crankshaft
5.			Rod, Connecting		185-2022	2	Standard
	181-9162	3	(Spec L-M)		185-2028	2	- 0.20 mm
	A046X323	3	(Spec N)		185-2029	2	- 0.40 mm
6.	508-1255	3	Bushing, Piston Pin	19.			Bushing, Crankshaft
7.	185-5570	6	Bolt, Connecting Rod		185-2029	2	Standard
8.			Bearing, Piston		140-2169	2	- 0.20 mm
	185-5571	3	(Spec L-M)		185-2031	2	- 0.40 mm
	104-2174	3	(Spec L-M)	20.	185-7407	1	Collar
	185-5572	3	(Spec L-N) (.20mm)	21.	185-5583	1	Sling, Oil
	185-5573	3	(Spec L-N) (.40mm)	22.	509-0380	1	O'Ring
	A046X327	3	(Spec N)				
9.	181-9179	1	Assy, Crankshaft				
10.	181-9176	1	Component, Crankshaft				
11.	185-5575	3	Ball				
12.	185-2033	1	Sleeve, Crankshaft				
13.	185-5576	1	Gear, Crank				
14.	185-2353	1	Key, Feather				
15.			Bushing, Crankshaft				

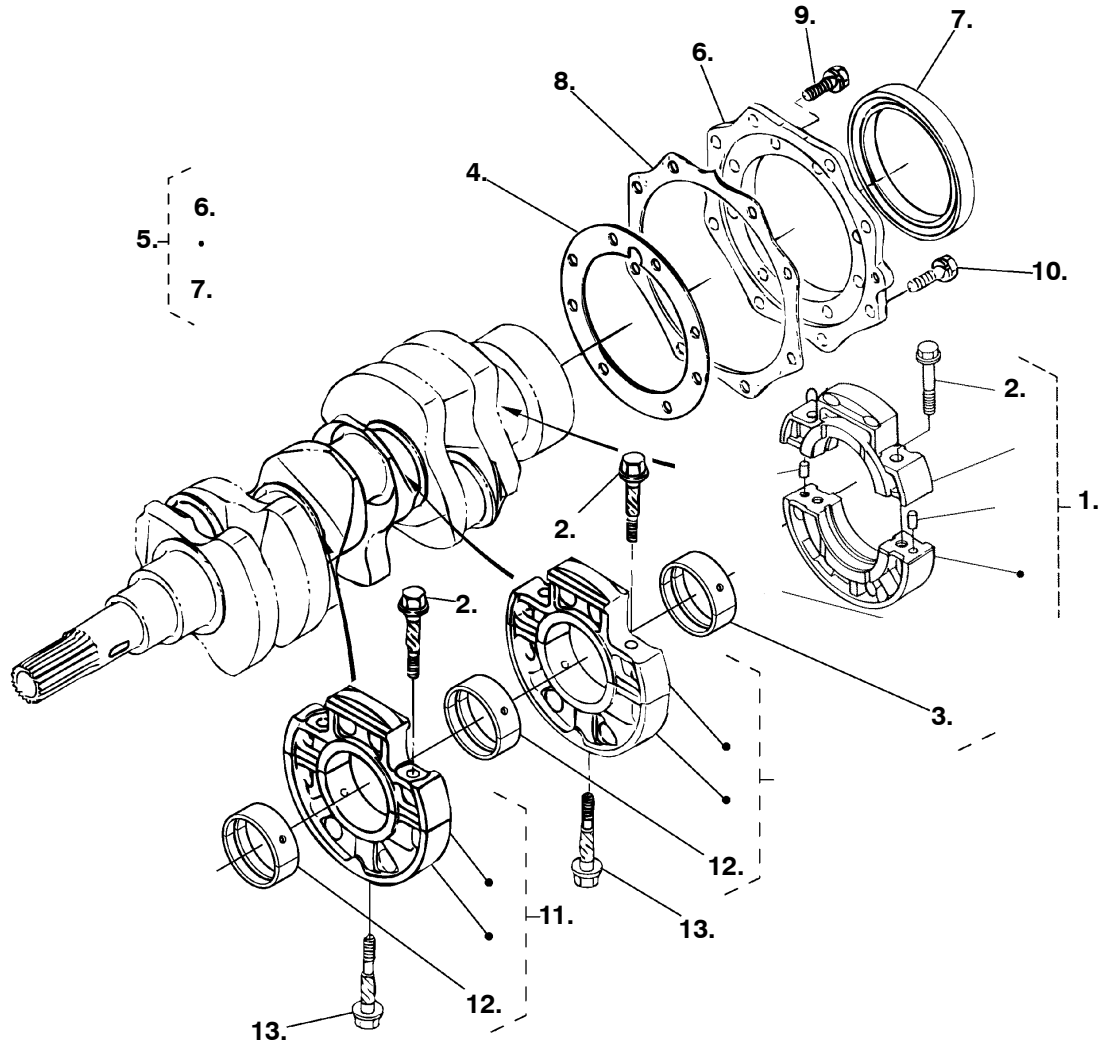
Camshaft



REF NO.	PART NO.	QTY USED	PART DESCRIPTION	REF NO.	PART NO.	QTY USED	PART DESCRIPTION
1.	181-9159	6	Tappet	9.	185-5562	1	Gear, Idle (Includes Bushing)
2.	185-5555	6	Rod, Push	10.	185-7385	1	Bushing, Idle Gear
3.			Camshaft Assy (Includes Parts Marked *)	11.	185-5563	1	Spacer
	105-0778	1	(Spec L-M)	12.	185-5564	1	Ring, Retaining
	A046X244	1	(Spec N)	13.	185-5565	1	Shaft, Idle Gear
4.	185-5924	1	*Ball	14.			Screw, Hex Washer Head Cap W/ Lock (M6 x 14mm)
5.			*Gear, Camshaft		A040P211	3	(Spec L-M)
	A040P910	1	(Spec L-M)		A046X254	3	(Spec N)
	A046X251	1	(Spec N)				
6.	185-5560	1	*Key, Feather				
7.	185-5561	1	*Plate, Retaining				
8.	185-2380	2	Bolt				

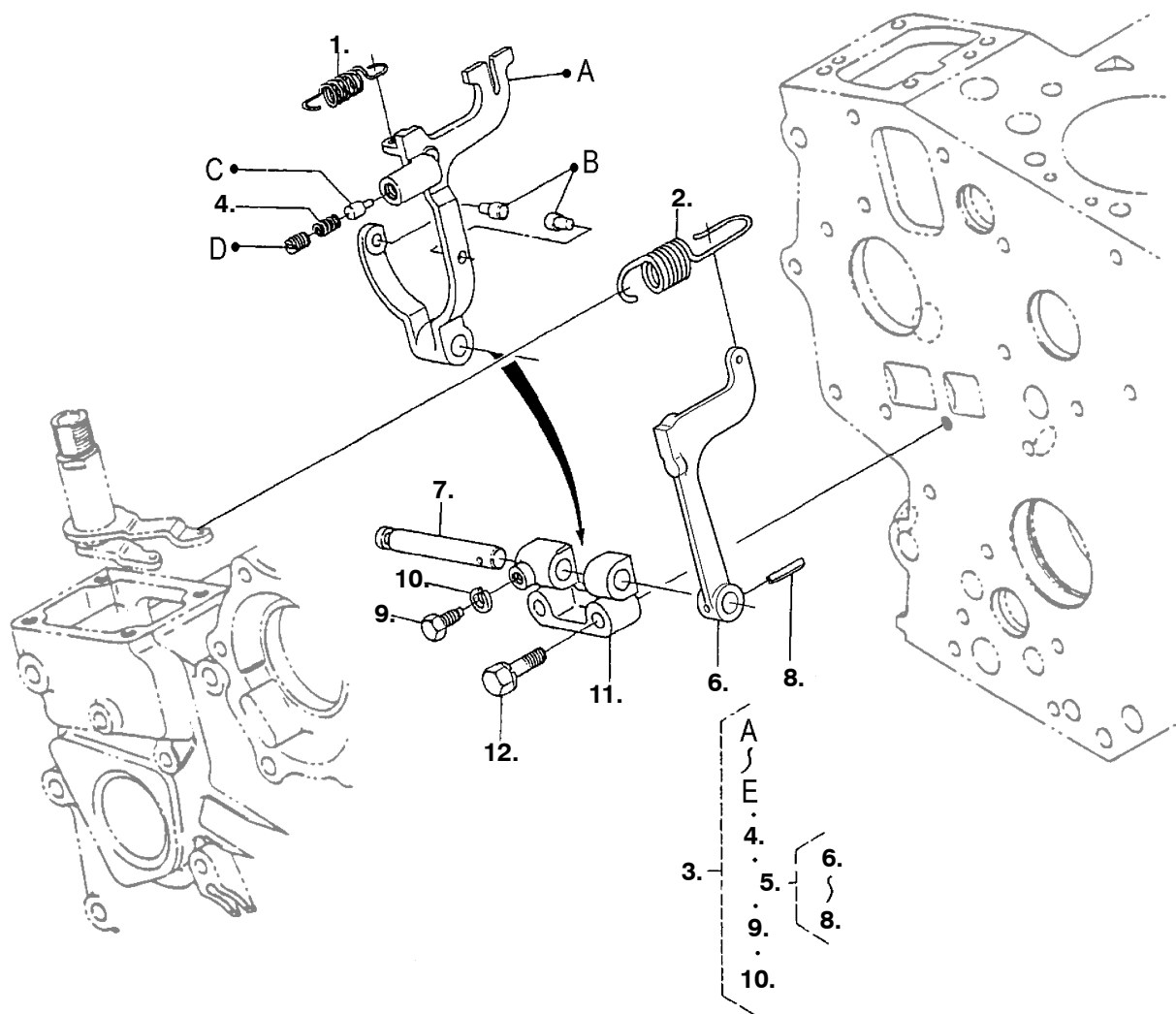
* - Parts Included in Camshaft Assy.

Main Bearing Holders



REF NO.	PART NO.	QTY USED	PART DESCRIPTION	REF NO.	PART NO.	QTY USED	PART DESCRIPTION
1.	232-4193	1	Assy, Wheel Bearing Case	8.	101-0872	1	Gasket, Case Cover
2.	185-5515	6	Screw, Hex Head Cap	9.	A040P227	8	Screw, Hex Head W/ Lock Cap Washer (M6 x 20mm)
3.	185-5580	1	Bearing, Crankshaft (Spec L-M)	10.	185-2559	8	Screw, Hex Head Cap
	A046X183	1	(Spec N)	11.	232-4192	1	Assy, Main Bearing Case
	A046X193	1	(Spec N) (.20mm)	12.			Bearing, Crankshaft
	A046X195	1	(Spec N) (.40mm)		185-5581	2	(Spec L-M)
4.	185-5438	1	Gasket, Bearing Case		A046X199	2	(Spec N)
5.	185-7073	1	Cover Assy, Main Bearing Case (Includes Cover and Seal)		A046X204	2	(Spec N) (.20mm)
					A046X207	2	(Spec N) (.40mm)
6.	185-5516	1	Cover, Bearing Plate	13.	185-5519	2	Bolt, Bearing Case
7.	A040R304	1	Seal, Oil				

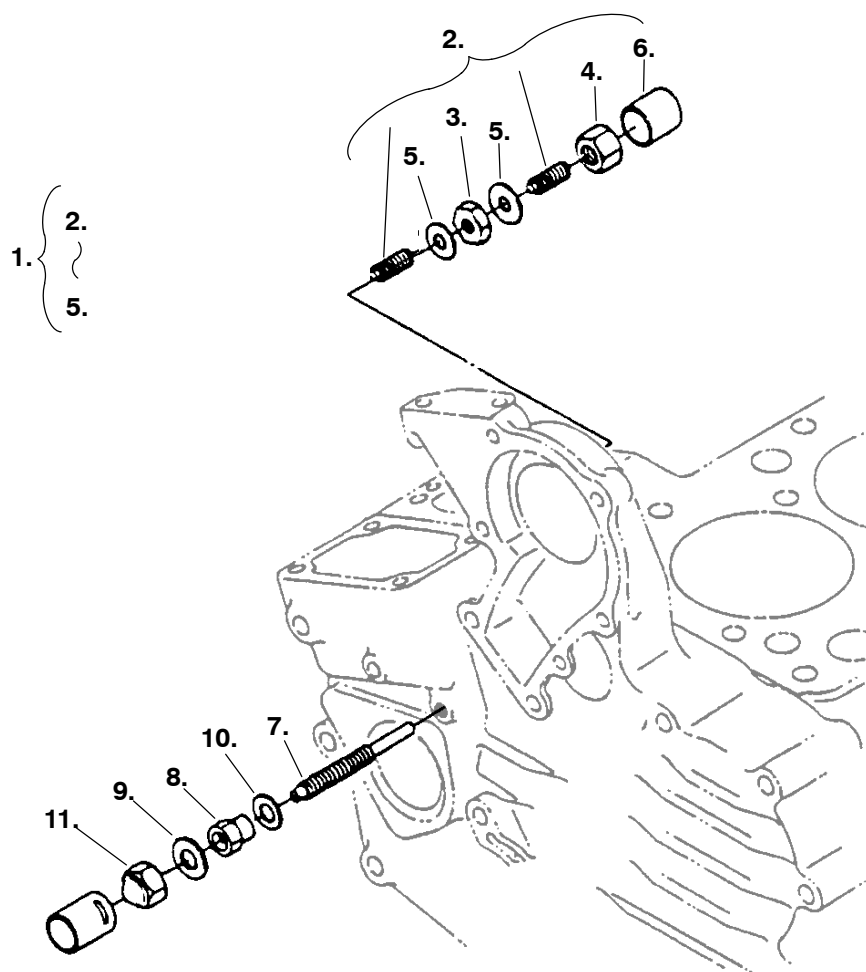
Fork Lever



REF NO.	PART NO.	QTY USED	PART DESCRIPTION	REF NO.	PART NO.	QTY USED	PART DESCRIPTION
1.	181-9169	1	Spring, Start	9.	181-9039	1	*Screw, Hex Head Cap
2.	184-0054	1	Spring, Governor	10.			*Washer, Spring Lock
3.			Lever Assy, Fork (Includes Parts Marked *)		185-6999	1	(Spec L-M)
	150-2996	1	(Spec L-M)		A046X581	1	(Spec N)
	A046X574	1	(Spec N)	11.	A040P972	1	Holder, Fork Lever
4.	181-9203	1	*Spring	12.	185-2393	2	Screw, Hex Head Cap (M6 x 35mm)
5.	185-5701	1	*Lever Assy, Outer Fork (Includes Lever, Shaft and Pin)				
6.	185-5702	1	*Lever, Outer Fork				
7.	185-5703	1	*Shaft				
8.	185-5696	1	*Pin, Spring				

* - Parts Included in Fork Lever Assy.

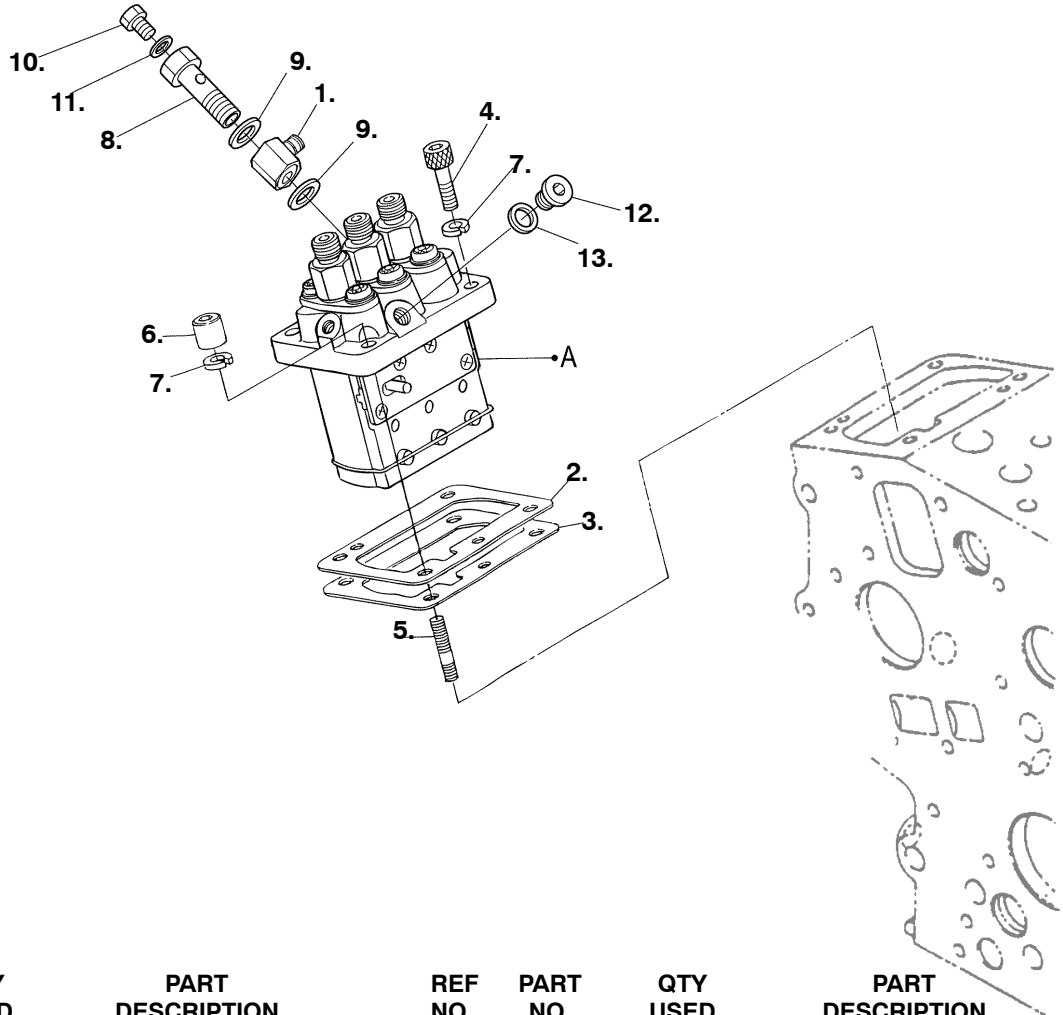
Speed Control



REF NO.	PART NO.	QTY USED	PART DESCRIPTION	REF NO.	PART NO.	QTY USED	PART DESCRIPTION
1.	185-5679	1	Assy, Idle Apparatus (Includes Parts Marked *)	7.	181-9057	1	Screw, Adjusting
2.	185-5680	1	*Bolt, Adjusting (Includes Nuts)	8.	185-6931	1	Nut, Hex
3.	185-2180	1	*Nut, Hex	9.	185-2284	1	Gasket
4.	185-5681	1	*Nut, Cap	10.	185-7313	1	Gasket
5.	185-2338	2	*Gasket	11.	185-6931	1	Nut
6.	185-5682	1	Cap				

* - Parts Included in Idle Assy.

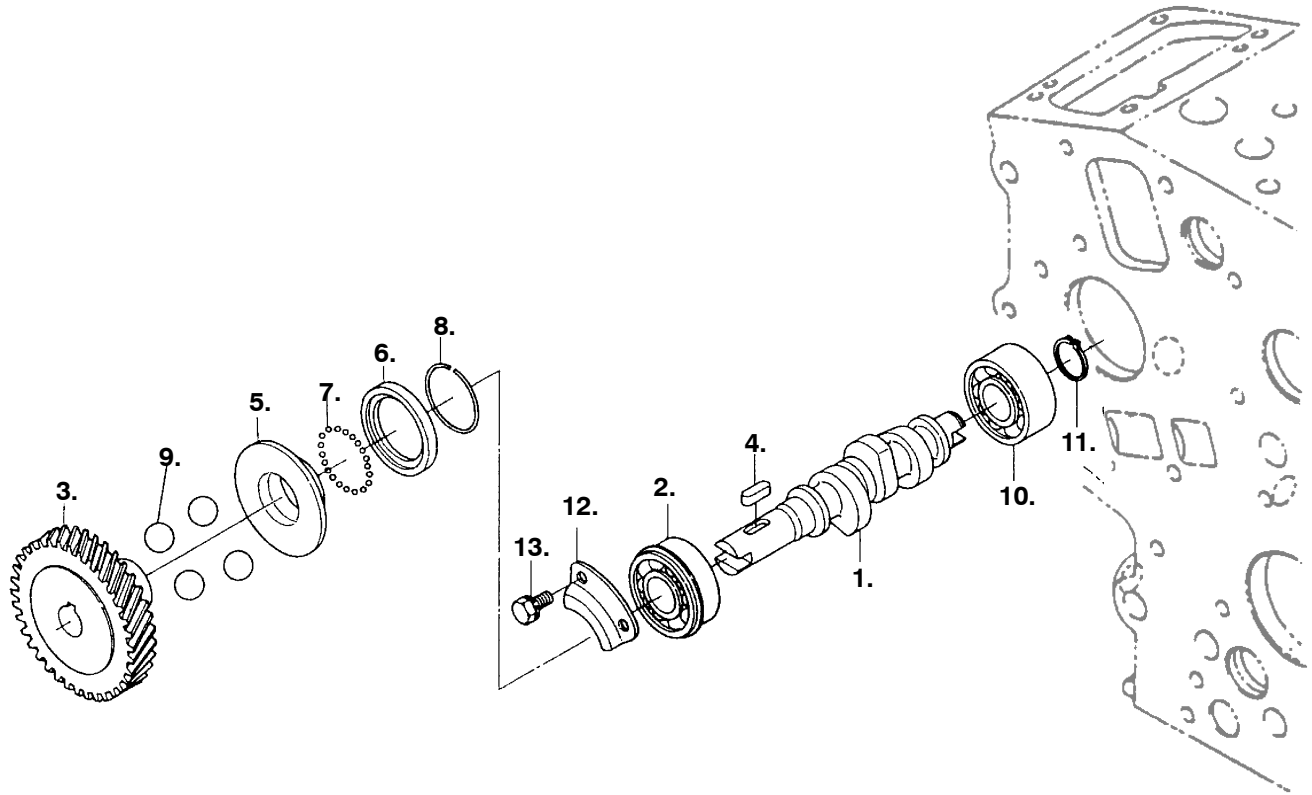
Injection Pump



REF NO.	PART NO.	QTY USED	PART DESCRIPTION	REF NO.	PART NO.	QTY USED	PART DESCRIPTION
	185-5425	1	Assy, Pump Injection (Includes Parts Marked*)	6.	185-5625	2	Nut, Cap
1.	185-5626	1	Joint, Eye	7.	A040P435	4	Washer, Spring Lock (Spec L-M)
2.	147-0971	1	Shim, Injection Pump 0.175mm		850-2083	4	(Spec N)
	185-6883	1	0.20mm	8.	185-5660	1	*Screw, Hollow
	185-6739	1	0.25mm	9.	185-5661	2	*Gasket
	147-0970	1	0.35mm	10.	185-5662	1	*Screw
3.	185-6845	1	Shim, Injection Pump	11.	185-5663	1	*Gasket
4.			Screw, Socket Head Cap	12.	185-6888	1	*Plug
	185-5623	2	(Spec L-M)	13.	185-5820	1	*Gasket
	800-6549	2	(Spec N)				
5.	185-5624	2	Stud				

* - Parts Included in Fuel Camshaft Assy.

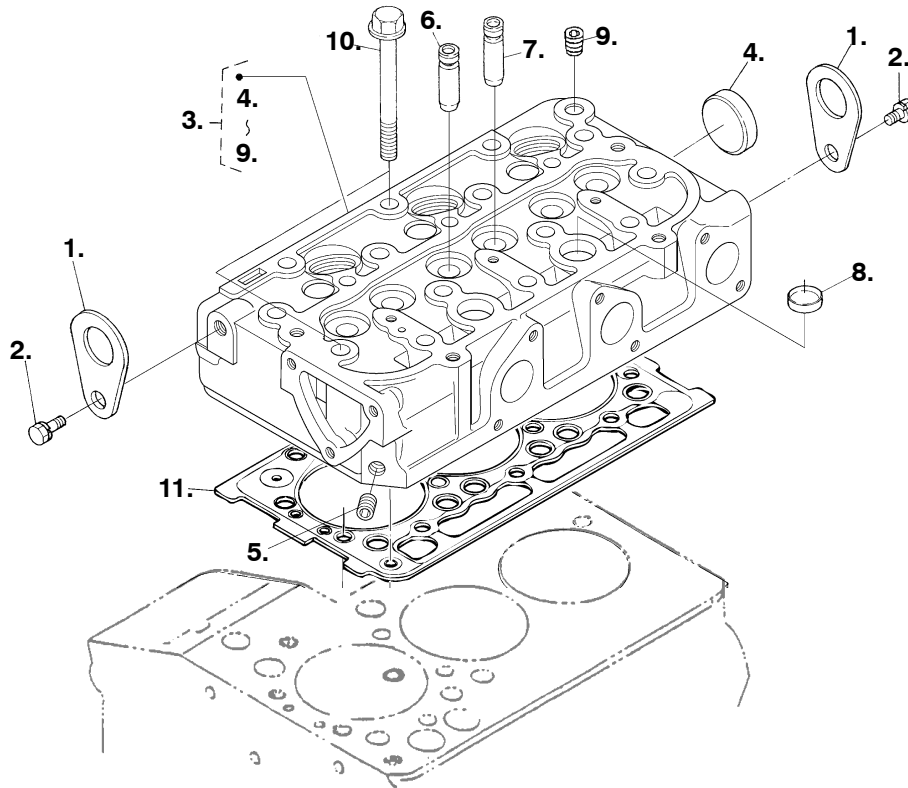
Fuel Camshaft



REF NO.	PART NO.	QTY USED	PART DESCRIPTION	REF NO.	PART NO.	QTY USED	PART DESCRIPTION
			Camshaft Assy, Fuel (Includes Parts Marked +)	6.	185-5632	1	+Case, Governor Ball
	105-0777		(Spec L-M)	7.	185-2357	32	+Ball
	A046X479		(Spec N)	8.	185-2163	1	+Circlip, Governor Sleeve
1.	181-9075	1	+Camshaft, Fuel	9.	185-5633	8	+Ball
2.	185-5629	1	+Bearing, Ball	10.	181-9182	1	Bearing
3.			+Gear, Injection Pump	11.	185-5634	1	Circlip
	A040P914	1	(Spec L-M)	12.	185-5635	1	Plate, Retaining
	A046X490	1	(Spec N)	13.	185-2386	2	Screw
4.	185-2353	1	+Key, Feather				
5.	185-5631	1	+Sleeve, Governor				

* - Parts Included in Fuel Camshaft Assy.

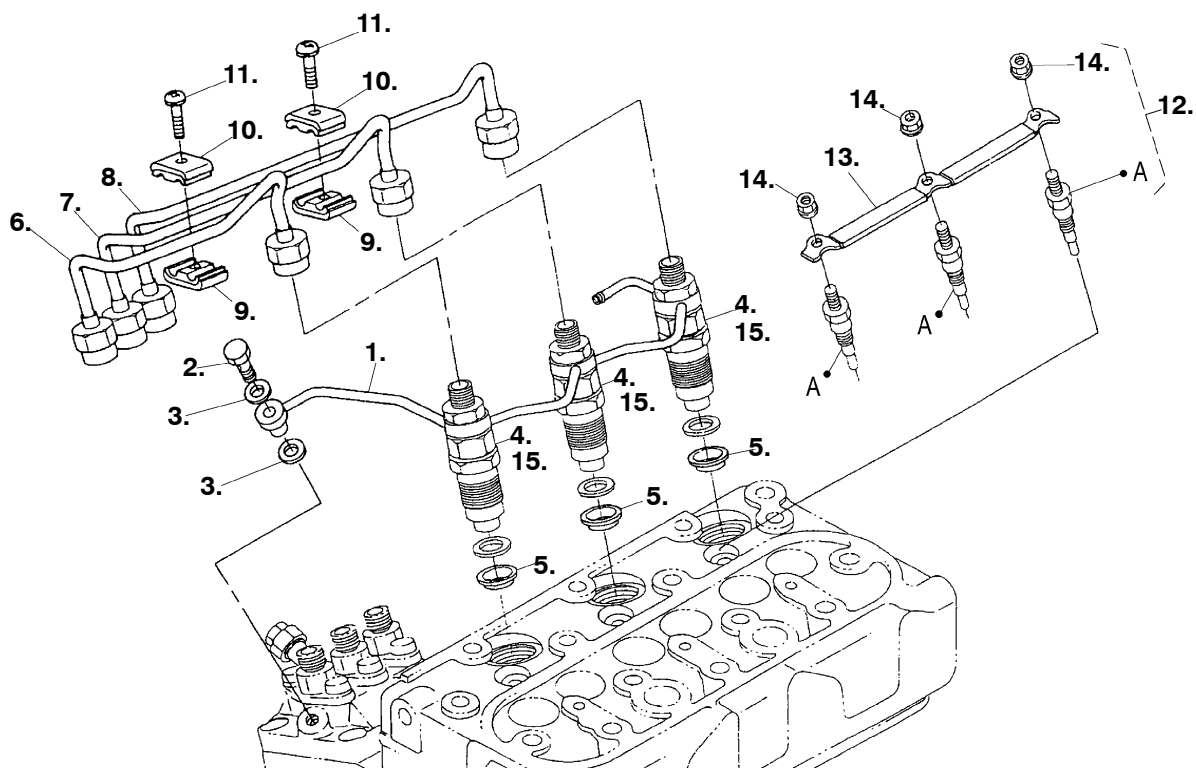
Cylinder Head



REF NO.	PART NO.	QTY USED	PART DESCRIPTION	REF NO.	PART NO.	QTY USED	PART DESCRIPTION
1.	185-2414	1	Eye, Lifting	7.	185-5501	3	*Guide, Exhaust Valve
2.	185-6762	1	Screw	8.	185-2413	2	*Cap, Sealing
	A046W997	1	(Spec L-M)	9.	185-5502	1	*Plug, Pipe
3.			Head Assy, Cylinder (Includes	10.	185-5503	14	Bolt, Cylinder Head
			Parts Marked *)	11.			Gasket, Cylinder Head
	110-4128	1	(Spec L-M)		185-6120	1	(Spec L-M)
	A046X144	1	(Spec N)		A046X148	1	(Spec N)
4.	185-2411	1	*Cap, Sealing				
5.	185-2188	1	*Plug				
6.	185-5500	3	*Guide, Intake Valve				

* - Parts Included in Cylinder Head Assy.

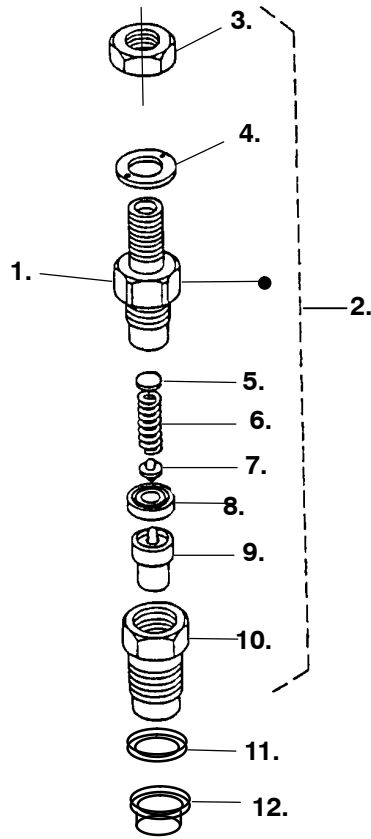
Injection Nozzle



REF NO.	PART NO.	QTY USED	PART DESCRIPTION	REF NO.	PART NO.	QTY USED	PART DESCRIPTION
	A046X501	1	Kit, Nozzle Holder (Includes Parts Marked *)	9.	185-5612	2	Clamp, Bottom Pipe
1.	181-9202	1	Pipe, Overflow (Spec L-M)	10.	185-2345	2	Clamp, Top Pipe
	A046X497	1	(Spec N)	11.	185-2385	2	Screw, Pan Head Machine W/Lock Washer
2.	185-7082	1	Screw, Air Bleeder	12.	185-5421	3	Plug, Glow (Spec L-M)
3.	185-2284	2	O'Ring		A046X513	3	(Spec N)
4.			*Holder, Nozzle	13.	185-5614	1	Cord, Glow Plug
	185-6738	3	(Spec L-M)	14.	185-5615	3	Nut, Flange
	A046X504	3	(Spec N)	15.	A046X510	3	Nut
5.	A046X568	3	*Seal, Heat				
6.	501-1128	1	Pipe, Injection				
7.	501-1130	1	Pipe, Injection				
8.	501-1131	1	Pipe, Injection				

* - Parts included in Nozzle Holder Kit.

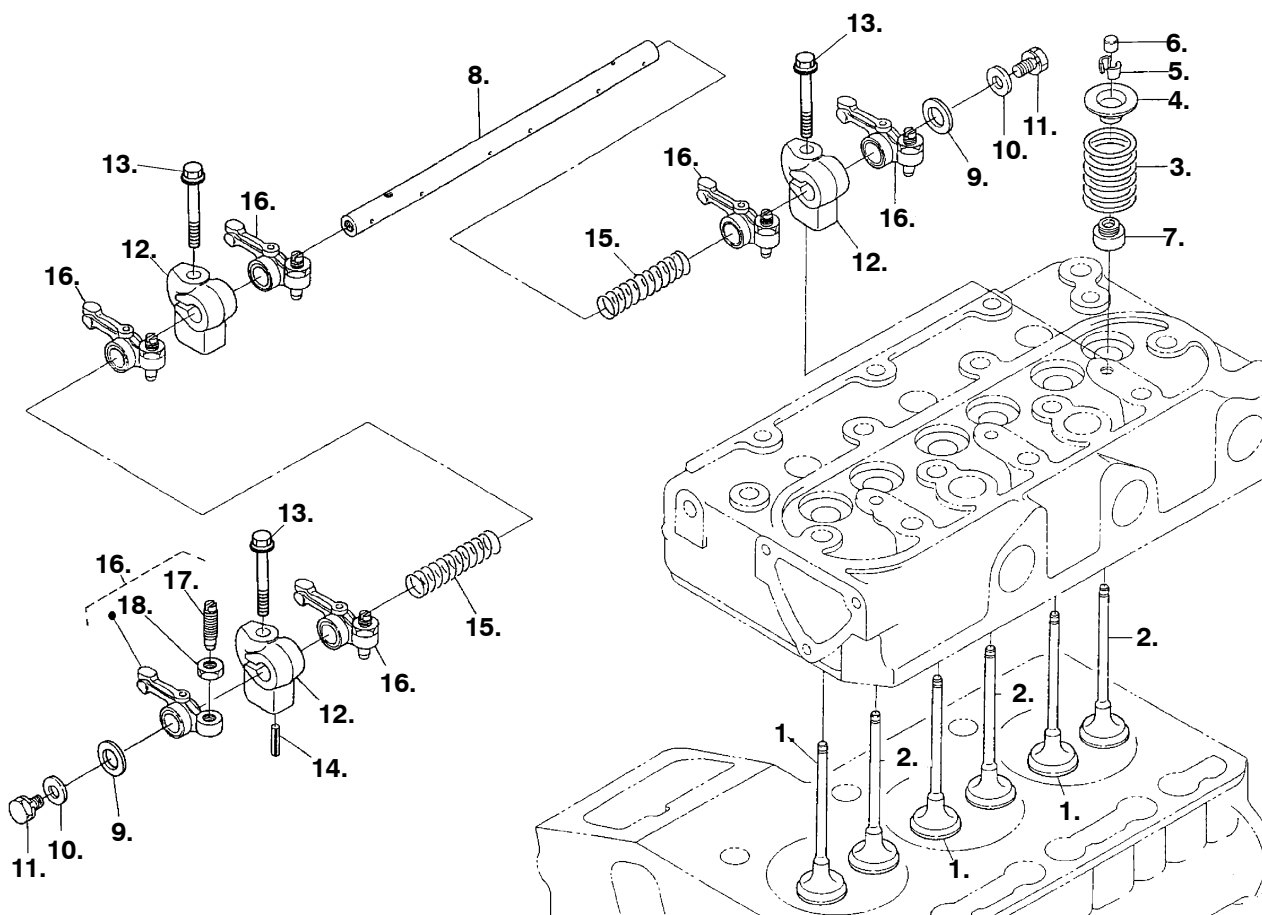
Injection Nozzle Components



REF NO.	PART NO.	QTY USED	PART DESCRIPTION	REF NO.	PART NO.	QTY USED	PART DESCRIPTION
1.	185-5363	3	Washer Assy – Includes the Following Adjusting Washers:		185-5401	3	1.825 mm
	185-5364	3	0.900 mm		185-5402	3	1.850 mm
	185-5365	3	0.925 mm		185-5403	3	1.875 mm
	185-5366	3	0.950 mm		185-5404	3	1.900 mm
	185-5367	3	0.975 mm		185-5405	3	1.925 mm
	185-5368	3	1.000 mm		185-5406	3	1.950 mm
	185-5369	3	1.025 mm	2.		3	Holder Assy, Nozzle (Includes Parts Marked *)
	185-5370	3	1.050 mm		A040P650	3	(Spec L-M)
	185-5371	3	1.075 mm		A046X501	3	(Spec N)
	185-5372	3	1.100 mm	3.			*Nut, Hex
	185-5373	3	1.125 mm		185-5616	3	(Spec L-M)
	185-5374	3	1.150 mm		A046X510	3	(Spec N)
	185-5375	3	1.175 mm	4.			*Washer
	185-5376	3	1.200 mm		185-5621	3	(Spec L-M)
	185-5377	3	1.225 mm		A046X554	3	(Spec N)
	185-5378	3	1.250 mm	5.			*Washer, Adjusting
	185-5379	3	1.275 mm		185-5364	3	(Spec L-M)
	185-5380	3	1.300 mm		A046X525	3	(Spec N)
	185-5381	3	1.325 mm	6.			*Spring
	185-5382	3	1.350 mm		185-5617	3	(Spec L-M)
	185-5383	3	1.375 mm		A046X534	3	(Spec N)
	185-5384	3	1.400 mm	7.			*Rod, Push
	185-5385	3	1.425 mm		185-5619	3	(Spec L-M)
	185-5386	3	1.450 mm		A046X545	3	(Spec N)
	185-5387	3	1.475 mm	8.			*Spacer
	185-5388	3	1.500 mm		185-56183	3	(Spec L-M)
	185-5389	3	1.525 mm		A046X537	3	(Spec N)
	185-5390	3	1.550 mm	9.			*Nozzle
	185-5391	3	1.575 mm		185-5622	3	(Spec L-M)
	185-5392	3	1.600 mm		A046X561	3	(Spec N)
	185-5393	3	1.625 mm	10.			*Nut, Nozzle
	185-5394	3	1.650 mm		185-6825	3	(Spec L-M)
	185-5395	3	1.675 mm		A046X547	3	(Spec N)
	185-5396	3	1.700 mm	11.	A046X565	3	Gasket (Spec N)
	185-5397	3	1.725 mm	12.	A046X568	3	Seal (Heat)
	185-5398	3	1.750 mm				
	185-5399	3	1.775 mm				
	185-5400	3	1.800 mm				

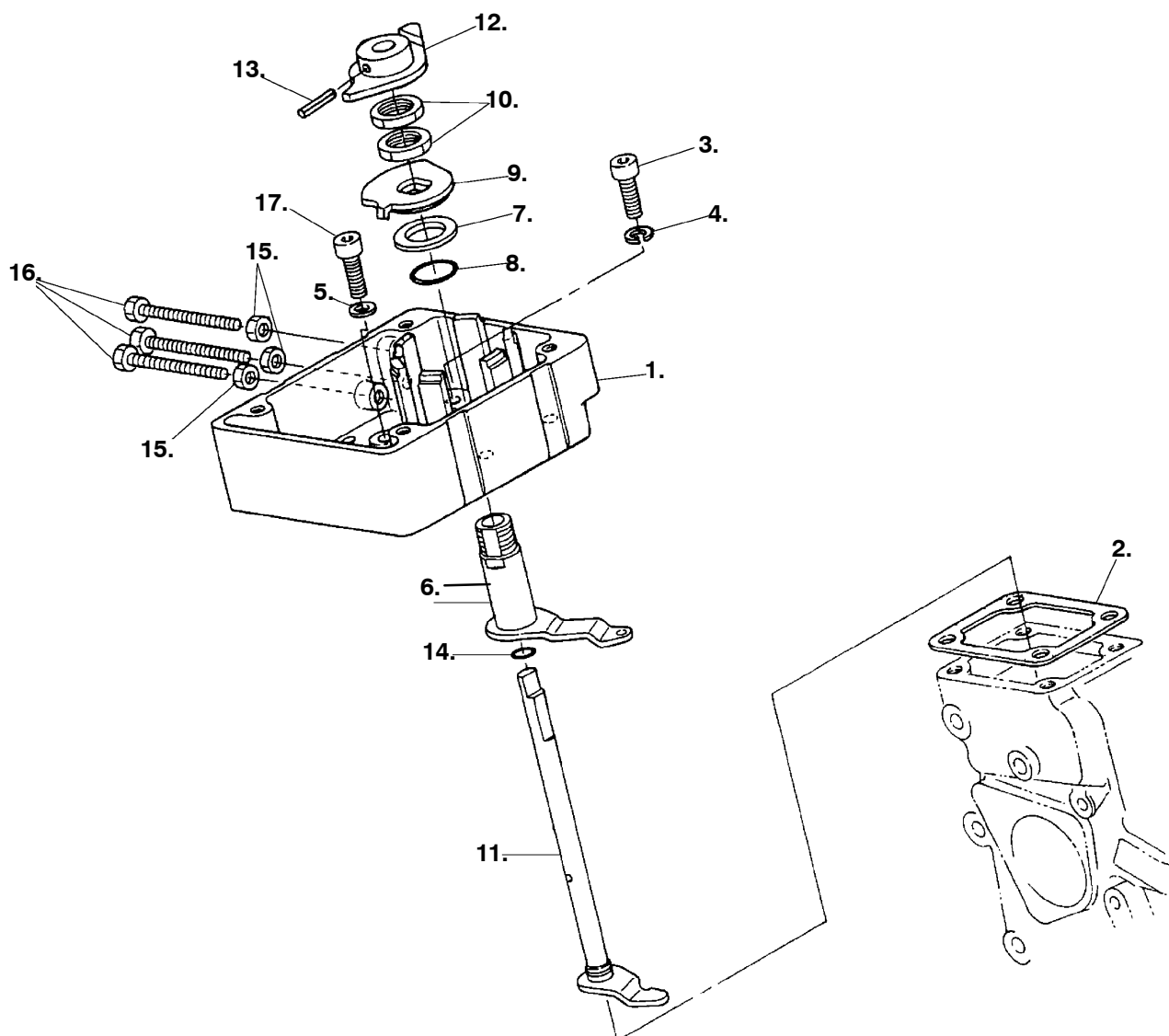
* – Parts Included in Nozzle Holder Assy.

Rocker Arm



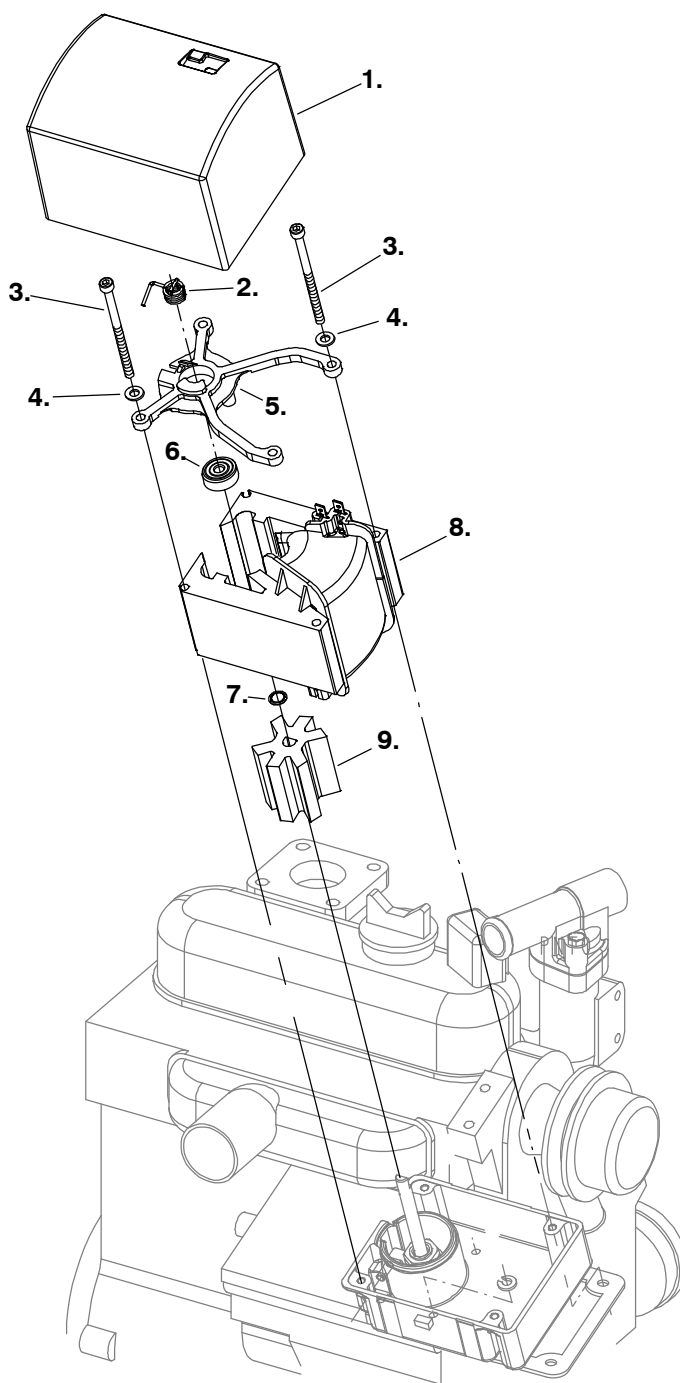
REF NO.	PART NO.	QTY USED	PART DESCRIPTION	REF NO.	PART NO.	QTY USED	PART DESCRIPTION
1.	110-3990	3	Valve, Intake	11.	185-2386	2	Screw, Hex Head Cap (M6 x 12mm)
2.	110-3991	3	Valve, Exhaust	12.	181-9251	3	Bracket, Rocker Arm
3.	185-5539	6	Spring, Valve	13.	A040P671	3	Bolt, Flange
4.	185-5540	6	Retainer, Valve Spring	14.	185-2351	1	Pin, Spring
5.	185-5541	6	Collet, Valve Spring	15.	185-5550	2	Spring, Rocker Arm
6.	185-5793	6	Cap, Valve	16.	185-5551	6	Arm, Rocker (Includes Nut and Screw)
7.	185-5348	6	Seal, Valve Stem	17.	185-5552	6	Screw, Adjusting
8.	185-5827	1	Shaft, Rocker Arm	18.	185-5553	6	Nut
9.	185-7086	6	Washer, Flat				
10.	185-7395	2	Washer, Flat				

Speed Control



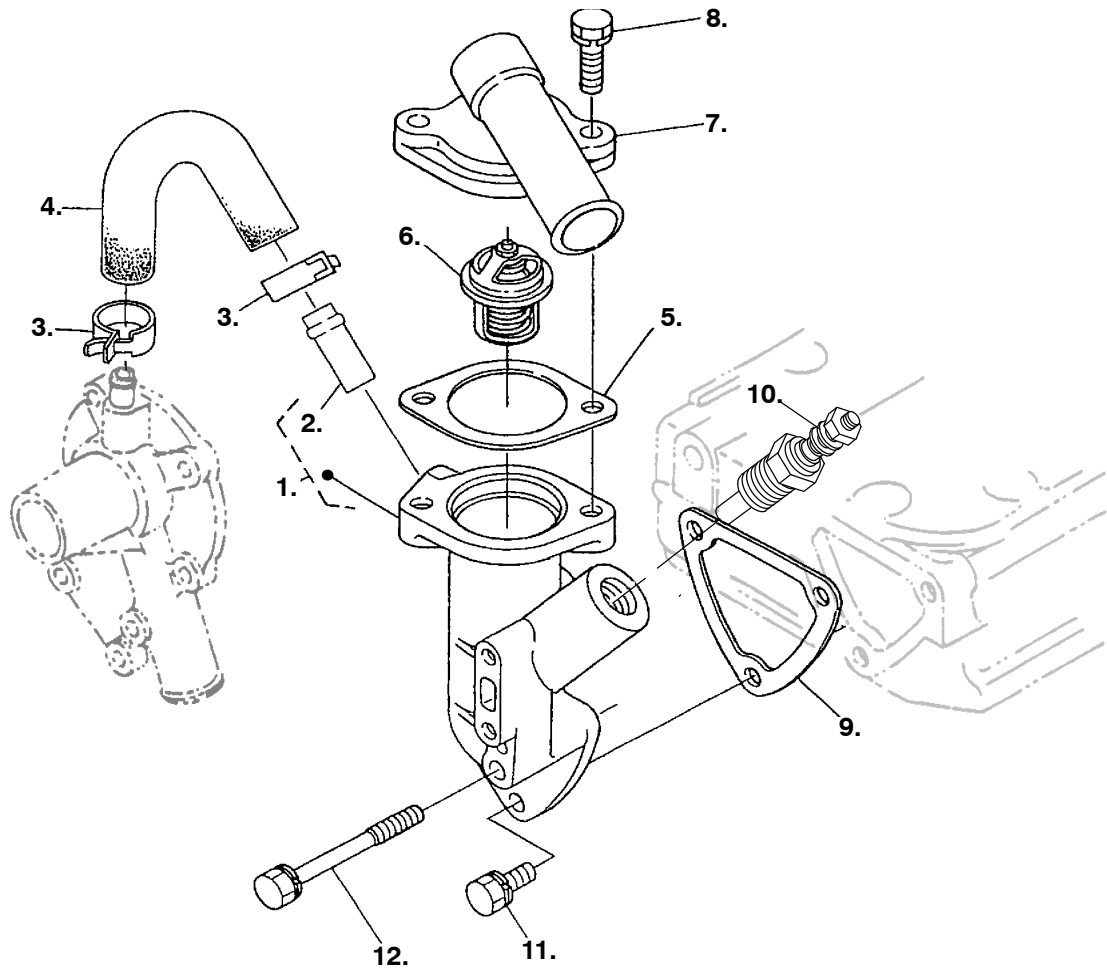
REF NO.	PART NO.	QTY USED	PART DESCRIPTION	REF NO.	PART NO.	QTY USED	PART DESCRIPTION
	185-7267	1	Assy, Speed Control Plate (Includes Parts Marked *)	10.	181-9063	2	*Nut, Speed Control
1.	185-6847	1	*Plate, Speed Control	11.	184-0060	1	*Shaft, Lever
2.	185-7080	1	Gasket, Control Plate	12.	184-0059	1	*Lever, Engine Stop
3.			Screw, Socket Head Cap (M5 x .8 x 80mm)	13.	185-5696	1	*Pin, Spring
	184-0013	4	(Spec L-M)	14.	184-0017	1	*O'Ring
	A046X492	4	(Spec N)	15.	185-4255	3	*Nut
4.	185-6759	2	#Washer, Spring	16.	181-9205	3	*Bolt
5.	185-2284	2	#Gasket	17.	A046X495	2	Screw
6.	184-0053	1	*Lever, Governor				* - Parts Included in Speed Control Plate Assy.
7.	184-0057	1	*Collar				# - Not used for Spec N.
8.	184-0019	1	*O'Ring				
9.	184-0056	1	*Lever, Speed Control				

Governor



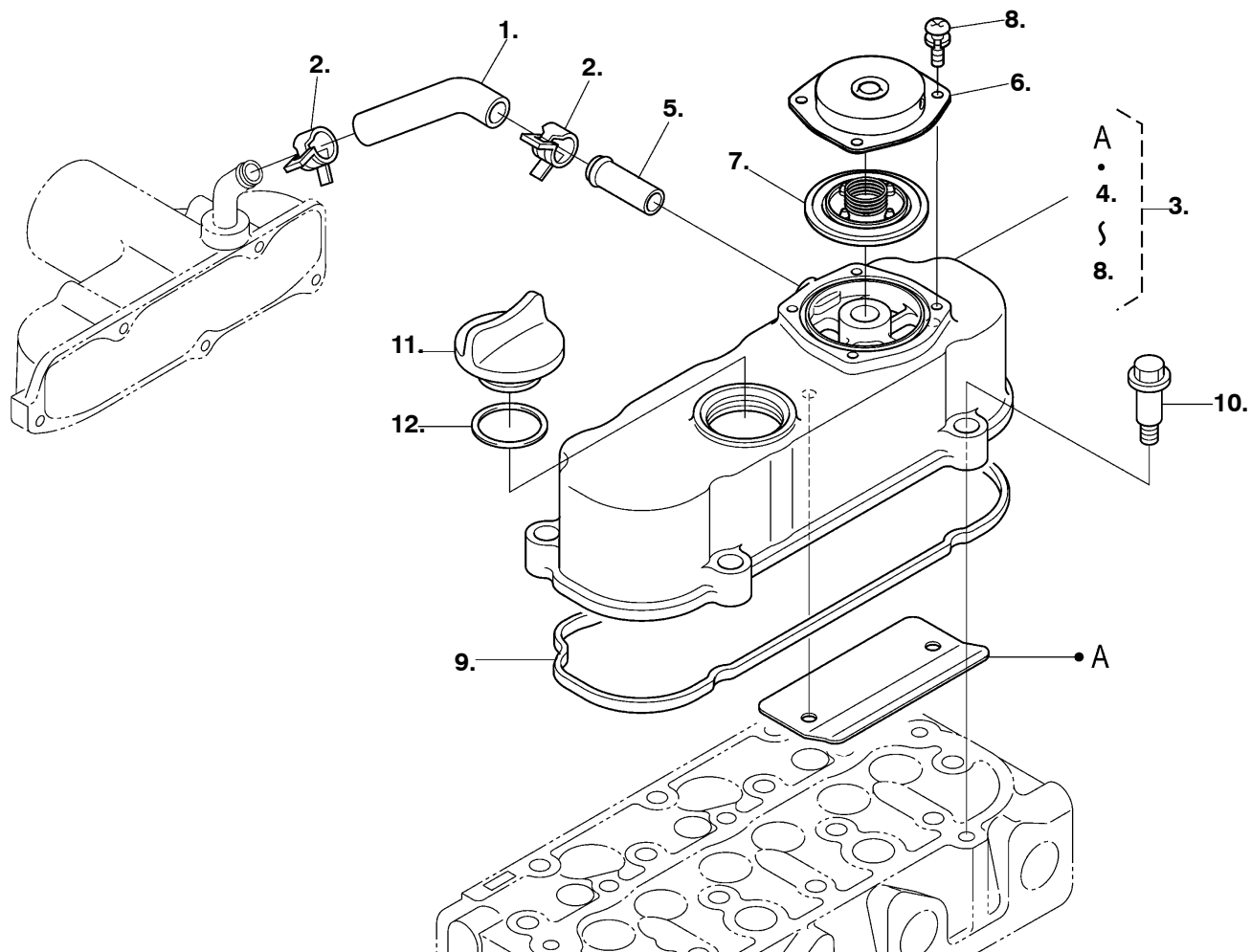
REF NO.	PART NO.	QTY USED	PART DESCRIPTION	REF NO.	PART NO.	QTY USED	PART DESCRIPTION
1.	150-2641	1	Cover, Governor	5.	150-2643-S0	1	Carrier Assy (Includes Bearing)
2.	150-2724	1	Spring, Governor	6.	510-0184	1	Bearing, Ball
3.	815-0877	4	Screw, Socket Head Cap (M5 x .8 x 80mm)	7.	518-0672	1	O'Ring, Governor Rotor
4.	740-1002	4	Washer, Flat (M5)	8.	150-2630	1	Coil, Governor
				9.	150-2639	1	Rotor, Governor

Water Outlet



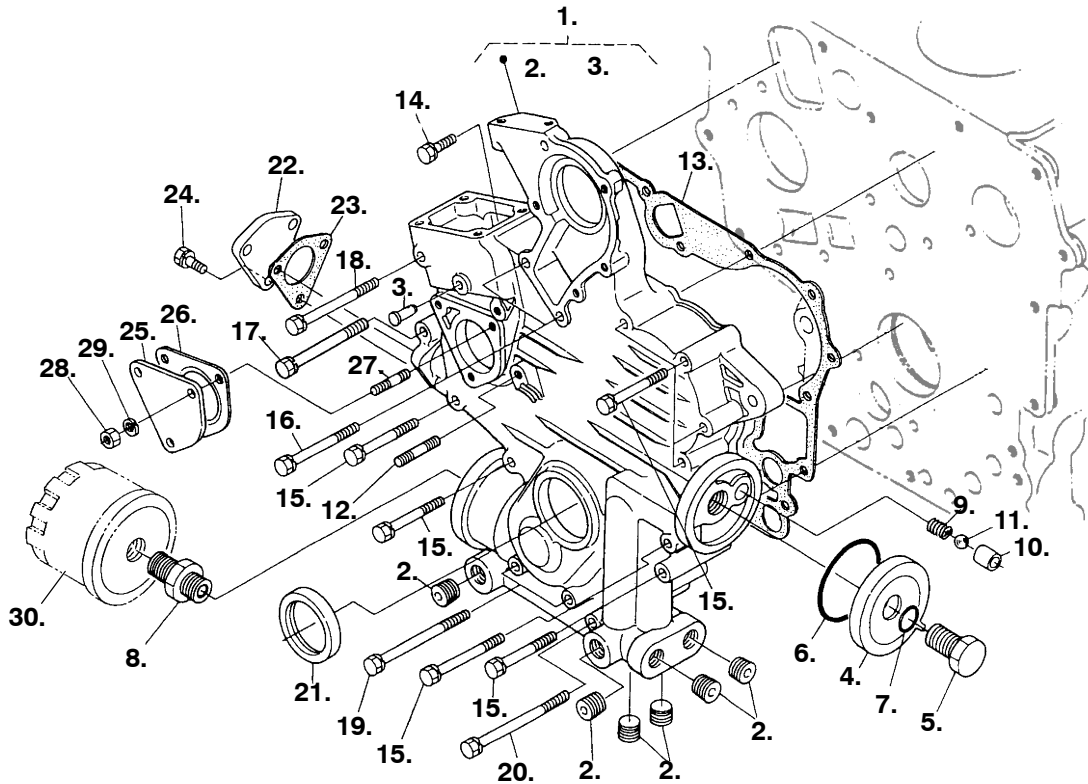
REF NO.	PART NO.	QTY USED	PART DESCRIPTION	REF NO.	PART NO.	QTY USED	PART DESCRIPTION
1.	181-9185	1	Flange, Water Pump (Includes Water Return Pipe)	8.	185-6677	2	Bolt
2.	185-6445	1	Pipe, Water Return	9.	181-9059	1	Gasket, Water Flange
3.	185-6667	2	Band, Pipe	10.	193-0318	1	Sender, Water Temperature
4.	185-5722	1	Pipe, Water Return	11.	185-2386	2	Bolt (M6 x 16mm)
5.	185-2238	1	Gasket, Thermostat	12.			Bolt
6.	185-5458	1	Thermostat		A040P219	1	(Spec L-M)
7.	185-5792	1	Cover, Thermostat		A046X152	1	(Spec N)

Valve Cover



REF NO.	PART NO.	QTY USED	PART DESCRIPTION	REF NO.	PART NO.	QTY USED	PART DESCRIPTION
1.	181-9249	1	Tube, Breather	8.	185-2384	4	Screw, Flanger
2.	181-9024	2	Clamp, Hose	9.	181-9253	1	Gasket, Head Cover
3.	134-5396	1	Assy, Cover Cylinder Head	10.	800-6330	4	Bolt
4.	134-5395	1	Cover Cylinder Head	11.	123-2428	1	Plug, Oil Filler
5.	185-6445	1	Pipe, Water Return	12.		1	O'Ring
6.	181-9238	1	Cover, Breather		185-7426	1	(Spec L-M)
7.	181-9241	1	Comp. Valve, Breather		A046X165	1	(Spec N)

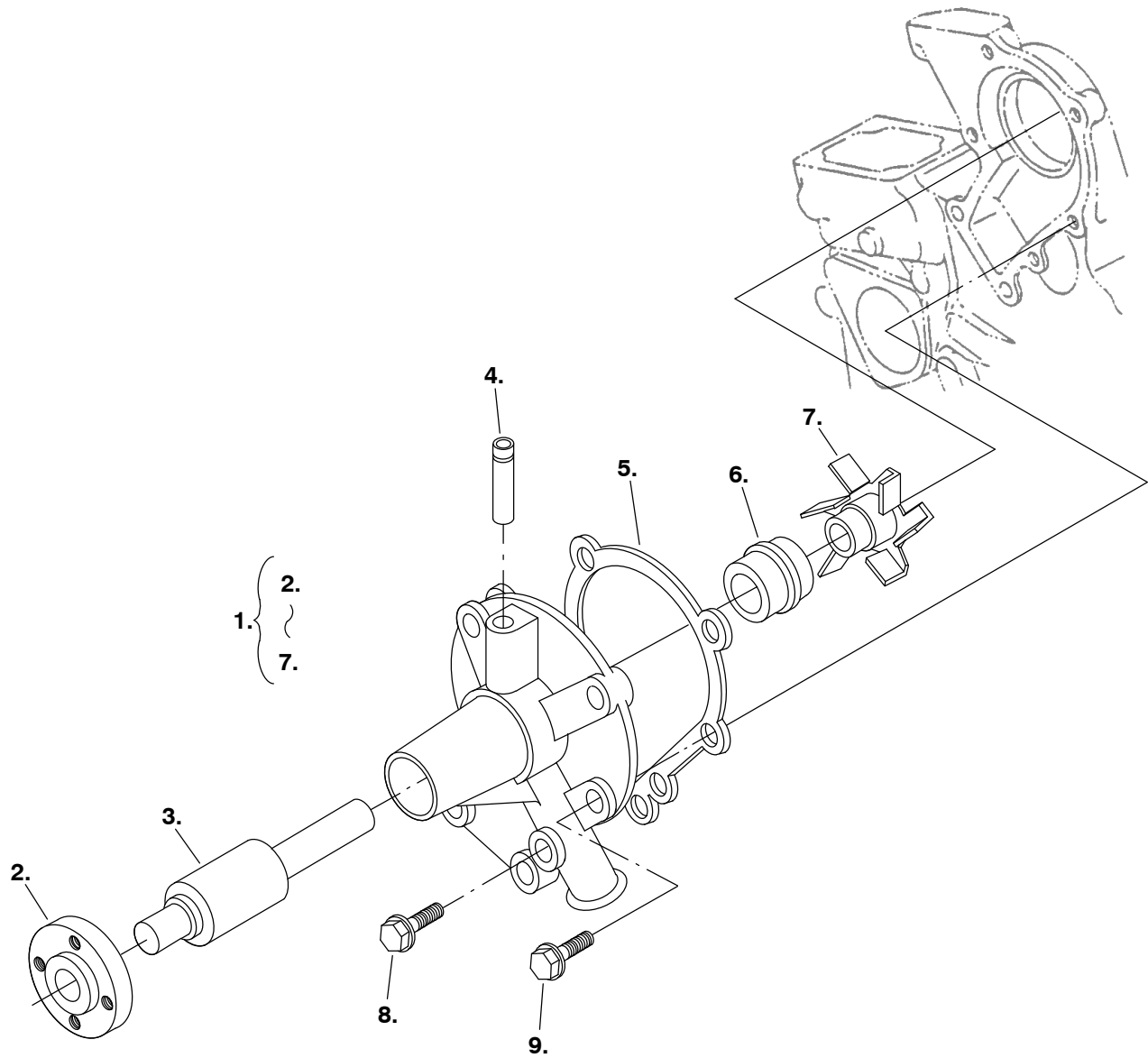
Gearcase



REF NO.	PART NO.	QTY USED	PART DESCRIPTION	REF NO.	PART NO.	QTY USED	PART DESCRIPTION
1.	103-0844	1	Gearcase Assy (Includes Pin and Plugs)				(M6 x 1 x 62mm)
2.	185-2234	8	Plug, Pipe	17.	185-2395	1	Bolt (M6 x 60mm)
3.	185-5506	1	Pin, Start Spring	18.	185-2379	1	Screw, Hex Head Cap (M6 x 70mm)
4.	122-0912	1	Cover	19.	185-5745	2	Bolt
5.	185-5742	1	Bolt	20.	185-5746	1	Screw, Hex Head Cap (M6 x 1 x 87mm)
6.	185-5743	1	O'Ring	21.	185-5410	1	Seal, Front Oil
7.	185-5744	1	O'Ring	22.	185-6257	1	Cover
8.	185-2124	1	Nipple, Hex Pipe	23.	181-9211	1	Gasket, Flange
9.	185-5509	1	Spring	24.	185-2389	3	Bolt (M6 x 18mm)
10.	185-5510	1	Seat, Valve	25.	185-5512	1	Cover
11.	185-5511	1	Ball	26.	185-5513	1	Gasket
12.	185-5727	1	Stud	27.	185-2105	3	Stud
13.	185-7382	1	Gasket, Gearcase	28.			Nut, Hex
14.			Screw, Hex Head Cap (M6 x 18mm)		185-4255	3	(Spec L-M)
	185-2389	1	(Spec L-M)		181-9014	3	(Spec N)
	A026E389	1	(Spec N)	29.	185-6759	3	*Washer, Spring Lock
15.			Screw, Hex Head Cap	30.	122-0833	1	Filter, Oil
	185-7069	7	(Spec L-M)				
	A046X152	7	(Spec N)				
16.	185-5507	3	Screw, Hex Head Cap				

* - Not used for Spec N.

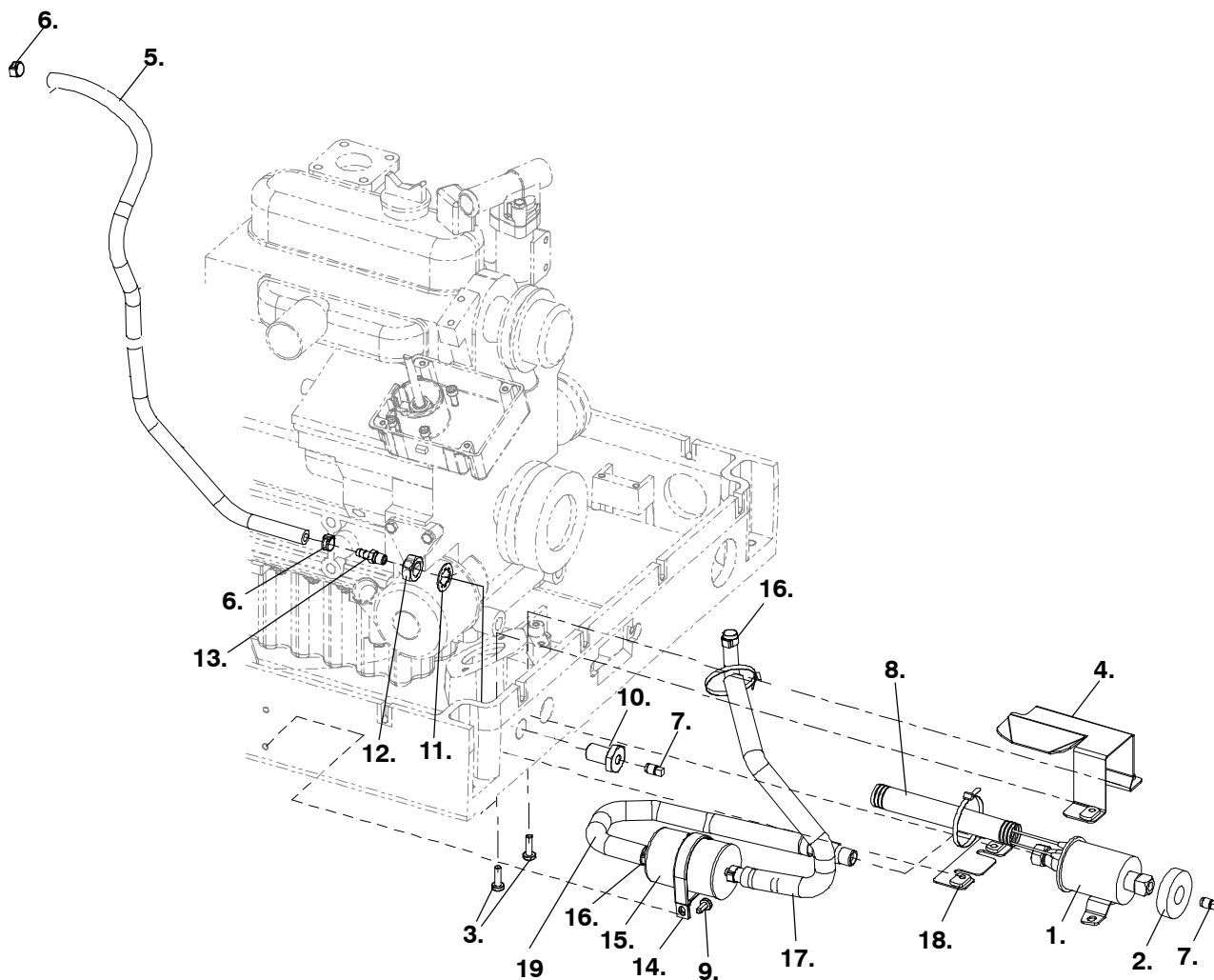
Water Pump Components



REF NO.	PART NO.	QTY USED	PART DESCRIPTION	REF NO.	PART NO.	QTY USED	PART DESCRIPTION
1.	132-0492	1	Pump, Water (Includes Parts Marked *)	7.	132-0493	1	*Impeller
2.	185-5712	1	*Flange, Water Pump	8.	185-5717	1	Bolt
3.	185-5713	1	*Bearing, Ball	9.	185-2559	4	Bolt
4.	185-5716	1	*Pipe, Return				
5.	132-0525	1	Gasket, Water Pump				
6.	185-5714	1	*Seal				

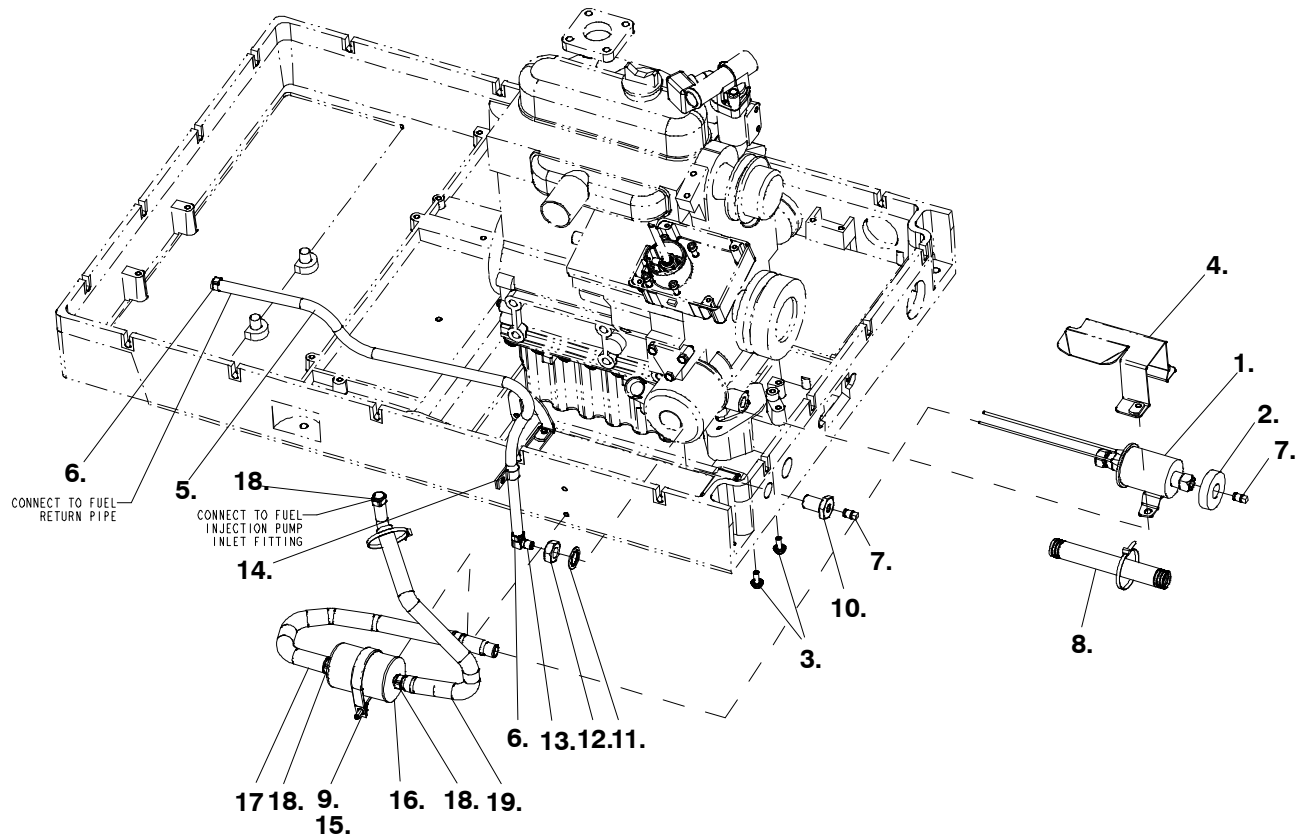
* - Parts Included in Water Pump.

Fuel System



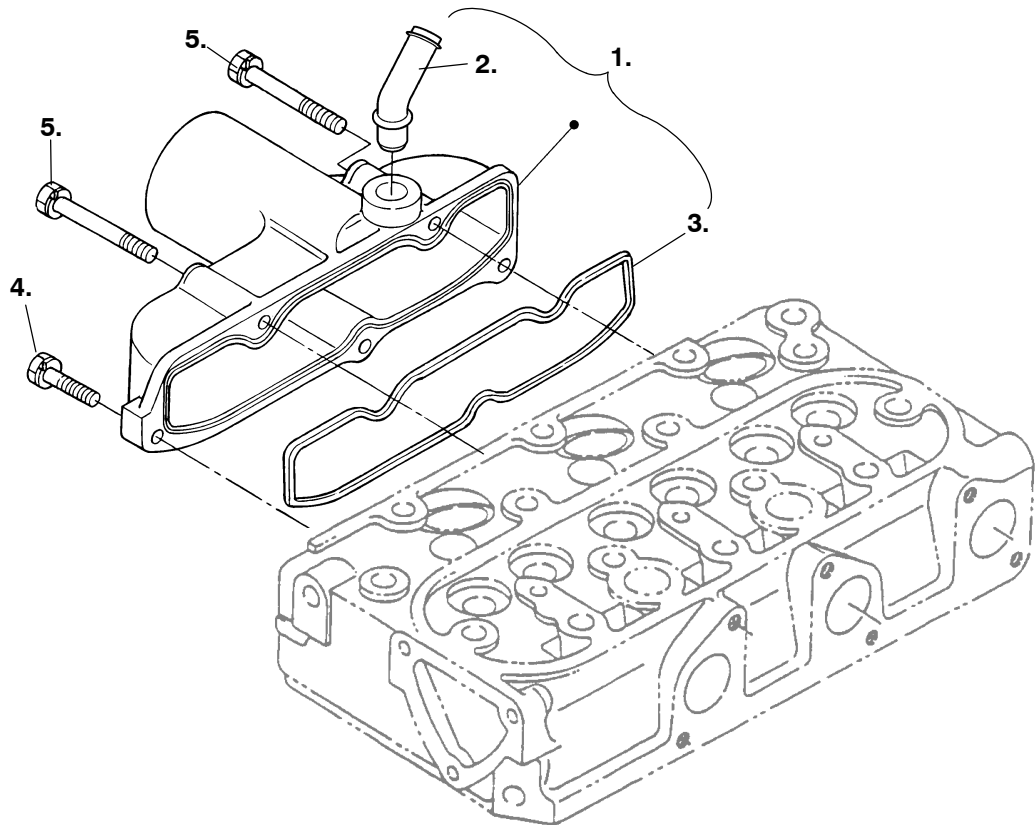
REF NO.	PART NO.	QTY USED	PART DESCRIPTION	REF NO.	PART NO.	QTY USED	PART DESCRIPTION
	541-1442	1	Kit, Filter (Includes Part Marked *)				(5/8ID 1.07OD)
1.	149-2790	1	Pump, Fuel	12.	868-0007	1	Nut, Hex Jam (5/8-18)
2.	403-3860	1	Seal, Fuel Pump	13.	502-0395	1	Connector, Hose
3.	821-2096-03	2	Screw, Pan Head Mach (Torx M6 x 1.0 x 20mm)	14.	518-0548-61	1	Clamp, Hose
4.	403-3863-02	1	Trough, Oil Drain	15.	147-0860	1	*Fuel, EFI Filter
5.	503-2895	1	Hose, Fuel	16.	503-1951-13	3	Clamp, Hose
6.	503-1951-09	2	Clamp, Hose	17.	501-0944	1	Hose, Fuel
7.	517-0273	2	Plug, Pipe	18.	149-2782-02	1	Bracket
+8.	898-1196-33	1	Sleeving, Convoluted				Line, Fuel (Includes parts marked +)
9.	823-0003-02	1	Screw, Pan Head Torx Thread Form (M6 x 1.00 x 14mm)	+19.	A029M042	1	Hose, Fuel
10.	502-1296-02	1	Fitting, Bulkhead				
11.	854-0028	1	Washer, IT Locking				

Fuel System Begin Spec M



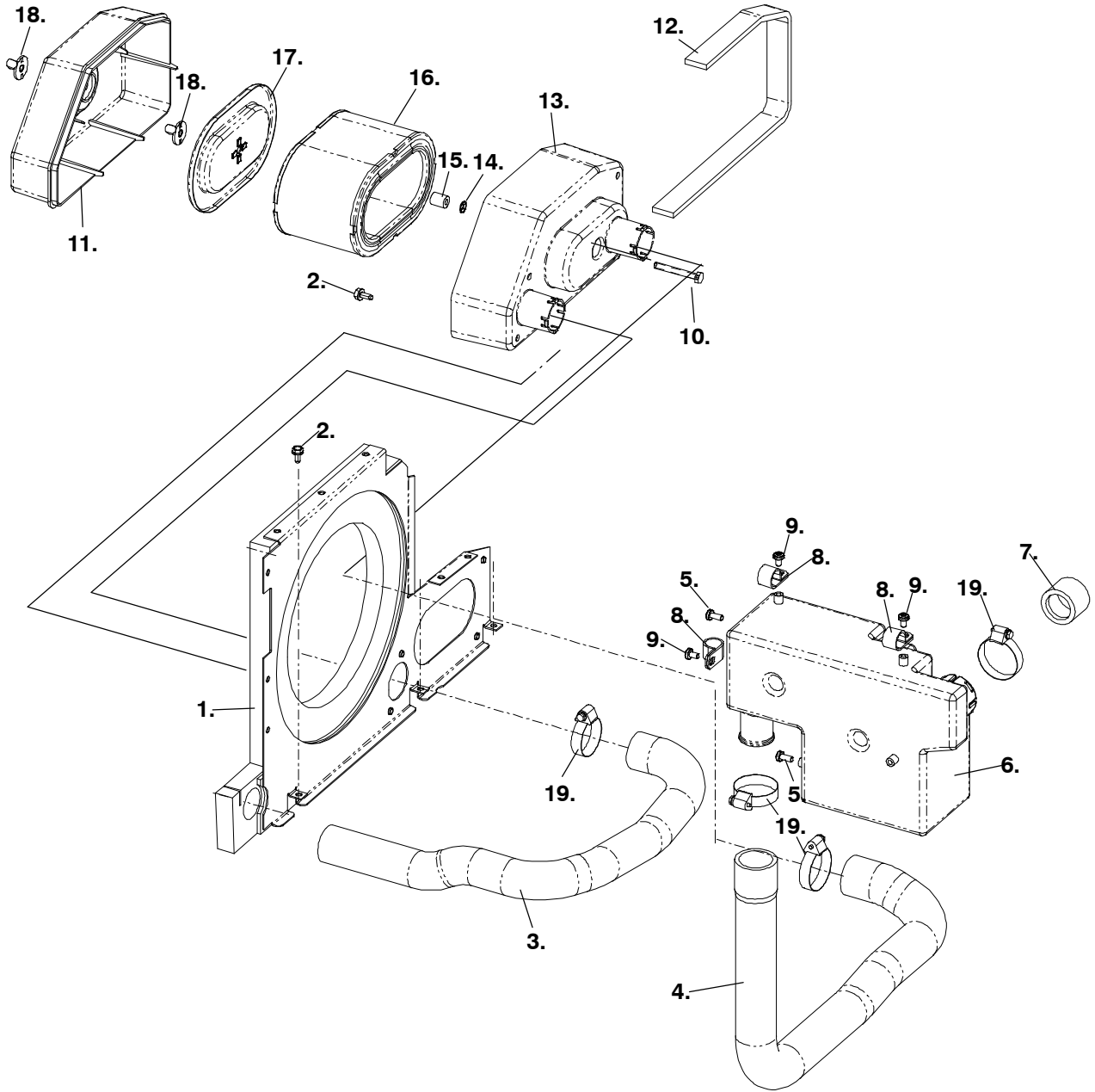
REF NO.	PART NO.	QTY USED	PART DESCRIPTION	REF NO.	PART NO.	QTY USED	PART DESCRIPTION
	541-1442	1	Kit, Filter (Includes Part Marked *)	10.	502-1296-02	1	Fitting, Bulkhead
1.	149-2790	1	Pump, Fuel	11.	854-0028	1	Washer, IT Locking (5/8ID 1.07OD)
2.	403-3860	1	Seal, Fuel Pump	12.	868-0007	1	Nut, Hex Jam (5/8-18)
3.	821-2096-03	2	Screw, Pan Head Mach (Torx M6 x 1.0 x 20mm)	13.	A029Z860	1	Hose, Elbow
4.	403-3863-02	1	Trough, Oil Drain	14.	332-1554	1	Clamp, Loop
5.	A029L892	1	Hose, Fuel	15.	518-0548-61	1	Clamp
6.	503-1951-09	2	Clamp, Hose	16.	147-0860	1	*Filter, Fuel
7.	517-0273	2	Plug, Pipe			1	Line, Fuel (Includes parts marked +)
+8.	898-1196-33	1	Sleeving, Convoluted	+17.	A029M042	1	Hose, Fuel
9.	823-0003-02	1	Screw, Pan Head Torx Thread Form (M6 x 1.00 x 14mm)	18.	503-1951-13	3	*Clamp
				19.	A029L914	1	Hose, Fuel

Inlet Manifold



REF NO.	PART NO.	QTY USED	PART DESCRIPTION	REF NO.	PART NO.	QTY USED	PART DESCRIPTION
1.	185-7087	1	Manifold Assy, Inlet (Includes Manifold and Gasket)	4.			Bolt
2.	181-9256	1	Pipe, Breather		181-9001	2	(Spec L-M)
3.	185-5832	1	Gasket, Manifold		A026E389	2	(Spec N)
				5.	185-5833	3	Bolt

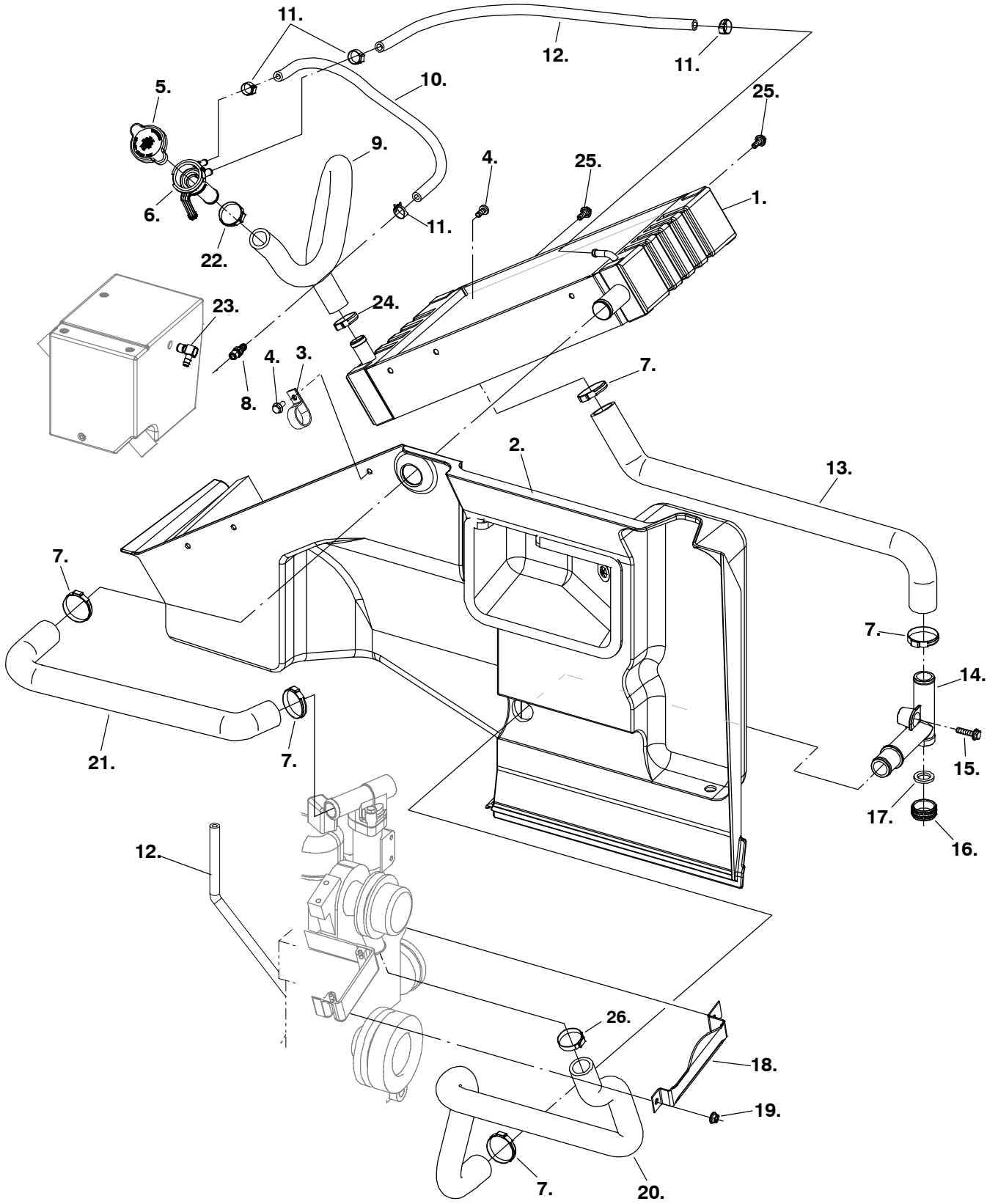
Air Intake



REF NO.	PART NO.	QTY USED	PART DESCRIPTION	REF NO.	PART NO.	QTY USED	PART DESCRIPTION
	140-3233	1	Kit, Air Cleaner (Includes Parts Marked*)	9.	823-1002-03	3	Screw, Pan Head Machine (M6 x 1 x 10mm)
1.	134-5063	1	Baffle Assy, Inlet (Includes Insulation)	10.	800-0603-01	1	Screw, Hex Head Machine (1/4-20 x 2)
2.	823-0003-02	7	Screw, Pan Head (M6 x 1 x 14mm)	11.	140-3232	1	*Cover, Air Cleaner
3.	503-1979	1	Hose, Intake (Dirty)	12.	140-4018	1	*Seal, Housing
4.	503-1985	1	Hose, Intake (Clean)	13.	140-3231	1	*Housing, Air Cleaner
5.	823-1002-04	2	Screw, Pan Head Machine (M6 x 1 x 14mm)	14.	870-0540-03	1	Nut, Push-On
6.	140-4273	1	Resonator, Intake	15.	140-2536-05	1	Seal, Air Cleaner Spacer
7.	140-2898	1	Sleeve, Air Intake	16.	140-2897	1	Element, Air Cleaner
8.	332-1356	3	Clamp, Loop (3/4")	17.	140-2961-02	1	Cover, Air Cleaner Element
				18.	865-0029	2	Nut, Wing (1/4-20)
				19.	503-0429	4	Clamp, Hose

This Page Intentionally Left Blank.

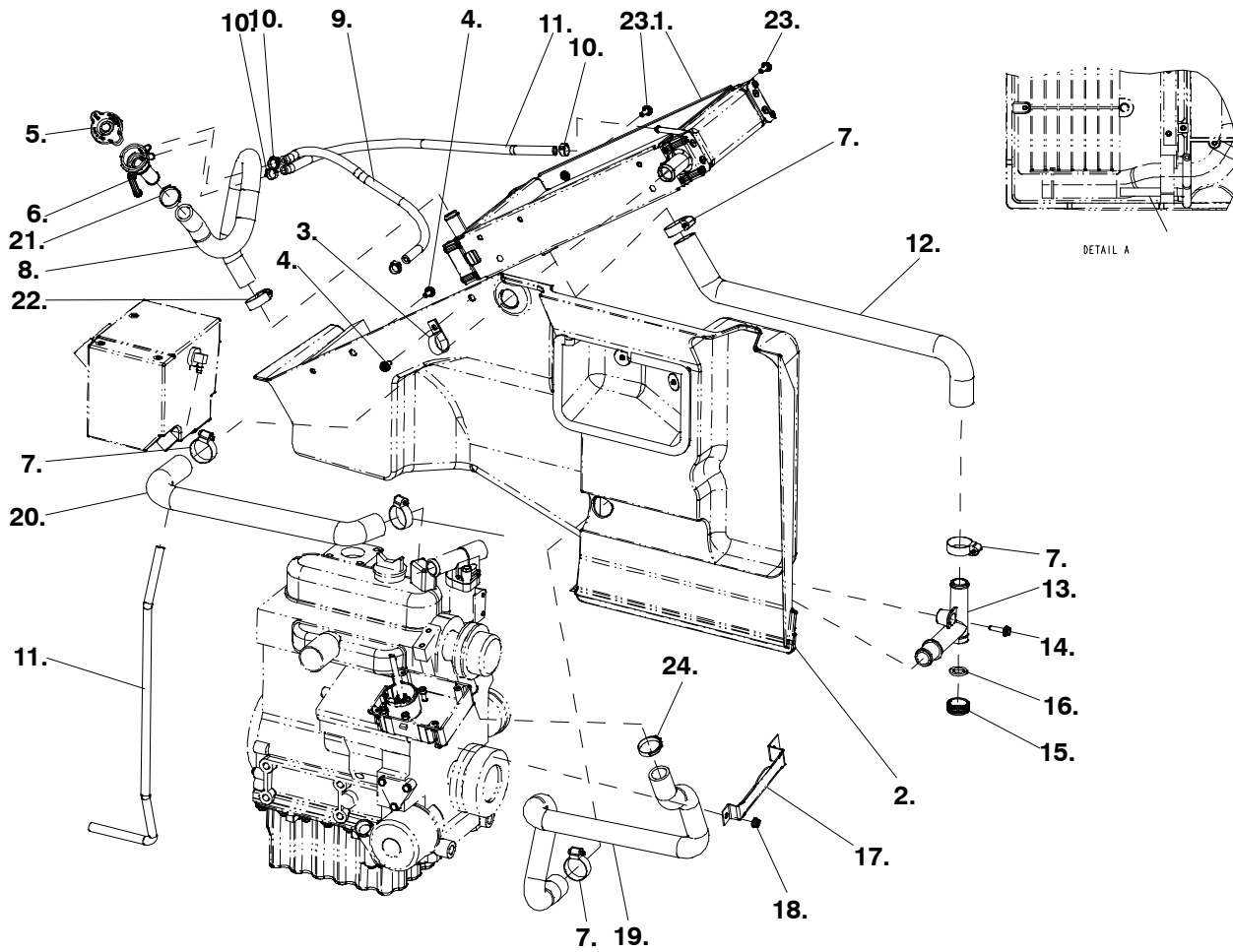
Cooling System



Cooling System

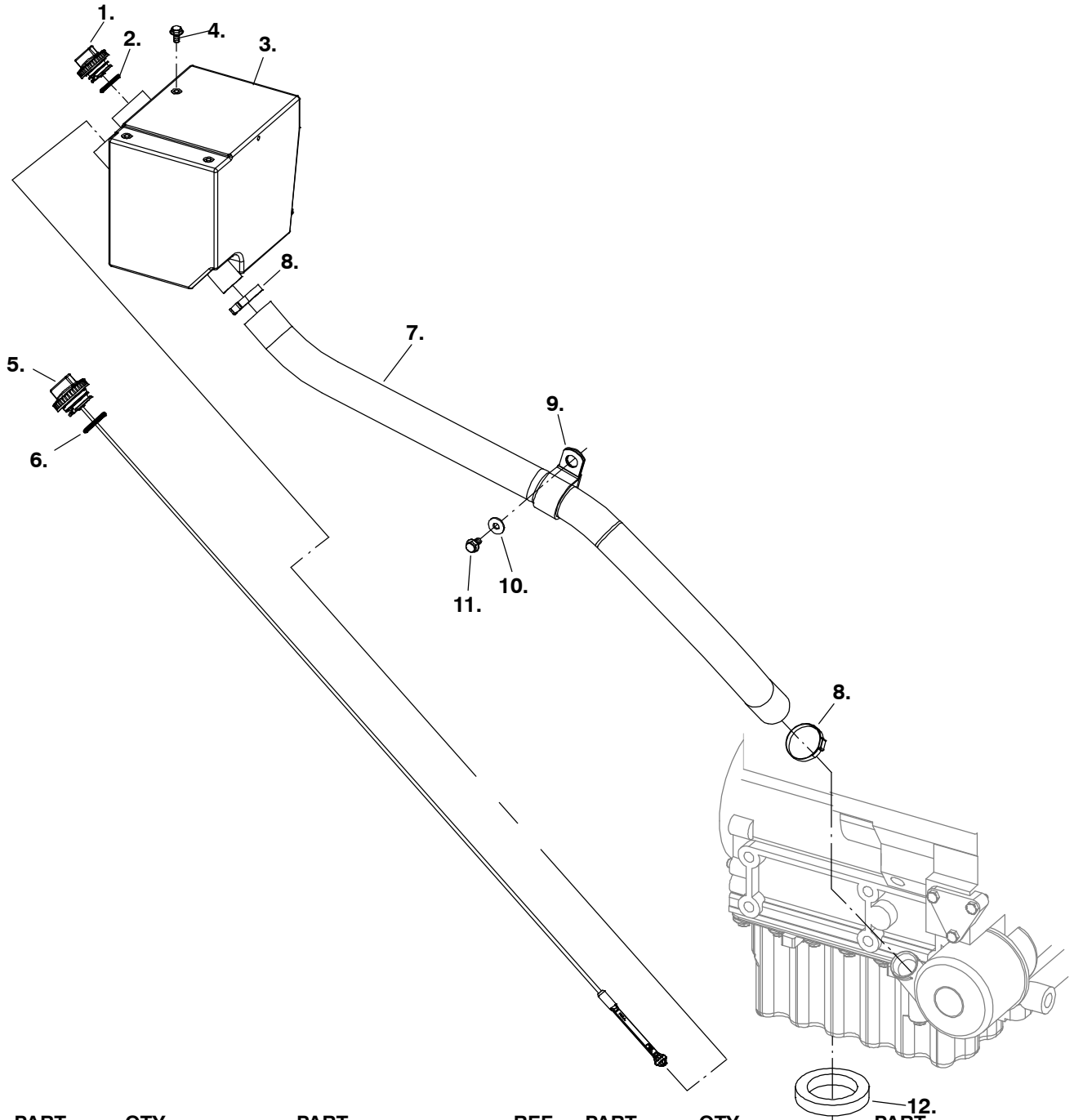
REF NO.	PART NO.	QTY USED	PART DESCRIPTION	REF NO.	PART NO.	QTY USED	PART DESCRIPTION
1.	130-6936	1	Radiator	15.	821-2035	1	Screw, Lock Flange (M6 x 1 x 25mm)
2.	404-0179	1	Panel, Air Baffle	16.	130-4392	1	Cap, Drain
3.	332-1553	1	Clamp, Loop	17.	130-4462	1	Seal, Coolant Hose
4.	815-0753	2	Screw, Hex Head Cap (M6 x 14mm Self Tapping)	18.	503-1970-02	1	Clamp, Hose Bracket
5.	130-7902	1	Cap, Coolant Fill	19.	870-2054	1	Nut, Lock Flange (M6 x 1)
6.	130-4321	1	Neck, Fill	20.	503-1921	1	Hose, Lower Engine
7.	503-1137	5	Clamp, Hose	21.	503-1920	1	Hose, Upper Radiator
8.	502-1367-01	1	Connector, Hose	22.	503-1951-35	2	Clamp, Hose
9.	503-1922	1	Hose, Fill Neck	23.	502-1529	1	Connector, Hose (90° Nylon 1/8 x 1/4" Hose)
10.	503-1923	1	Hose, Overflow	24.	503-1136	1	Clamp, Hose
11.	503-1951-12	4	Clamp, Hose	25.	821-2096-03	2	Screw, Lock Flange (M6 x 1 x 16mm)
12.	503-1959	2	Hose, Air Bleed	26.	503-1951-40	1	Clamp
13.	503-1954	1	Hose, Lower Radiator				
14.	130-4391	1	Fitting, "T" Hose				

Cooling System 8HDKAK-2010K



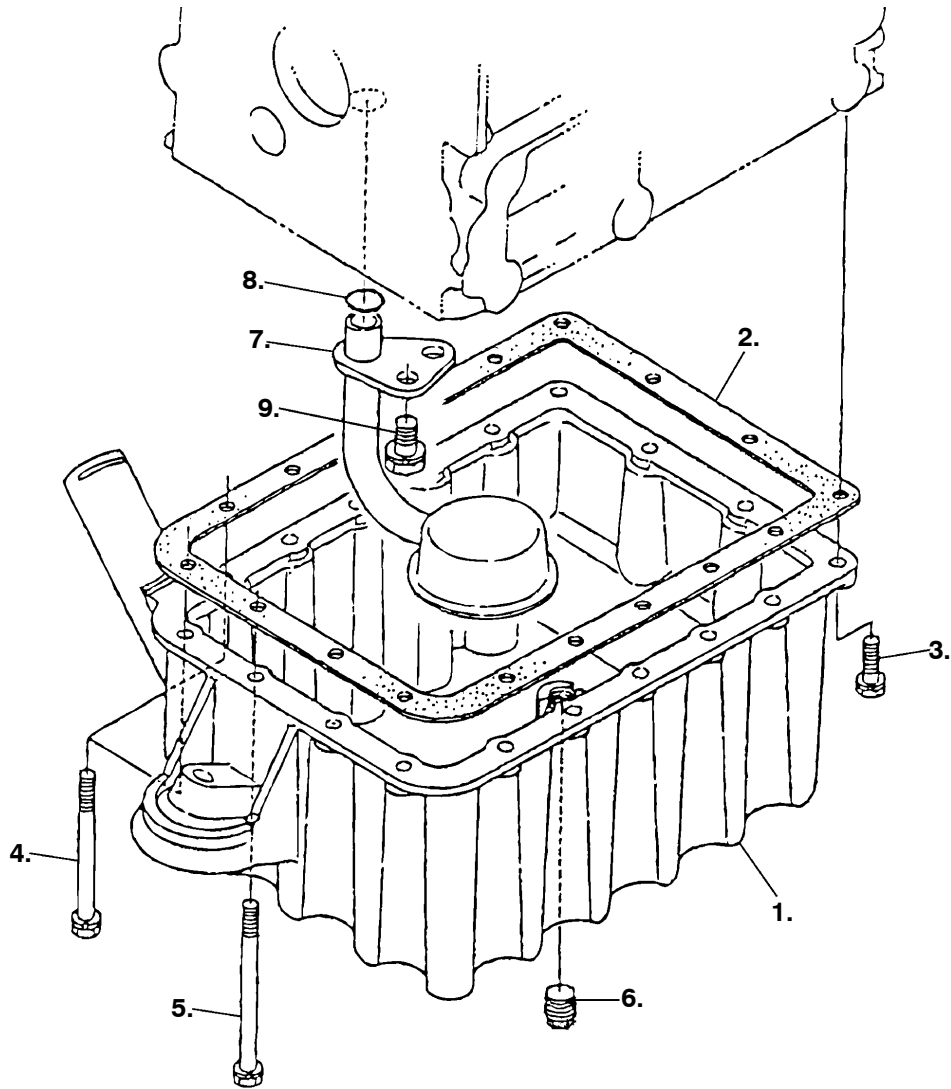
REF NO.	PART NO.	QTY USED	PART DESCRIPTION	REF NO.	PART NO.	QTY USED	PART DESCRIPTION
1.	130-6936	1	Radiator	14.	821-2035	1	Screw, Lock Flange (M6 x 1 x 25mm)
2.	404-0179	1	Panel, Air Baffle	15.	130-4392	1	Cap, Drain
3.	332-1553	1	Clamp, Loop	16.	130-4462	1	Seal, Coolant Hose
4.	815-0753	2	Screw, Hex Head Cap (M6 x 14mm Self Tapping)	17.	503-1970-02	1	Clamp, Hose Bracket
5.	130-7902	1	Cap, Coolant Fill	18.	870-2054	1	Nut, Lock Flange (M6 x 1)
6.	130-4321	1	Neck, Fill	19.	503-1921	1	Hose, Lower Engine
7.	503-1137	5	Clamp, Hose	20.	503-1920	1	Hose, Upper Radiator
8.	503-1922	1	Hose, Fill Neck	21.	503-1951-35	2	Clamp, Hose
9.	503-1923	1	Hose, Overflow	22.	503-1136	1	Clamp, Hose
10.	503-1951-12	4	Clamp, Hose	23.	821-2096-03	2	Screw, Lock Flange (M6 x 1 x 16mm)
11.	503-1959	2	Hose, Air Bleed	24.	503-1951-40	1	Clamp
12.	503-1954	1	Hose, Lower Radiator				
13.	130-4391	1	Fitting, "T" Hose				

Oil Stick and Cooling Tank



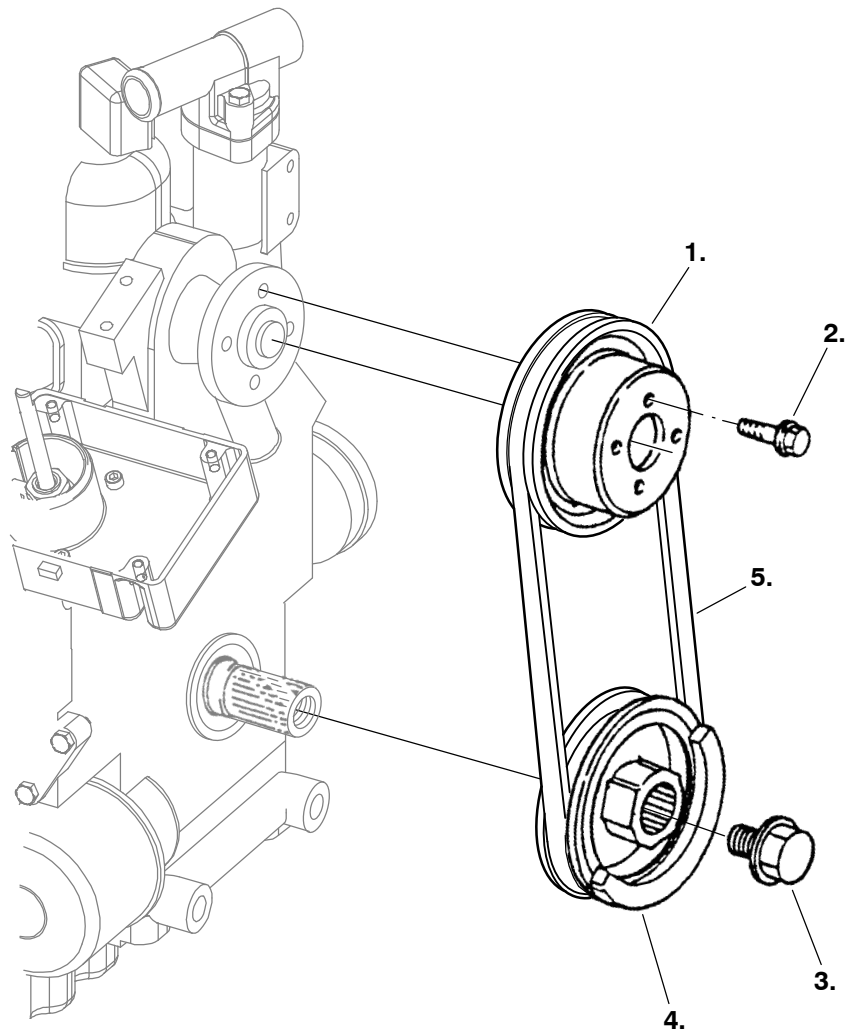
REF NO.	PART NO.	QTY USED	PART DESCRIPTION	REF NO.	PART NO.	QTY USED	PART DESCRIPTION
1.	130-4450-02	1	Cap, Coolant Recovery	8.	503-1951-46	2	Clamp, Hose
2.	509-0329	1	O'Ring	9.	332-2898	1	Clamp, Loop (1.44")
3.	130-4322	1	Tank, Coolant Recovery	10.	526-2083	1	Washer, Flat (M6)
4.	821-2096-02	3	Screw, Locking Flange (M6 x 1 x 12mm)	11.	821-2032	1	Screw, Lock Flange (M6 x 1 x 12mm)
5.	123-2051	1	Indicator, Oil Level (Includes O'Ring)	12.	403-3859	1	Seal, Oil Drain
6.	509-0329	1	O'Ring				
7.	123-2120	1	Hose, Oil Fill				

Oil Pan



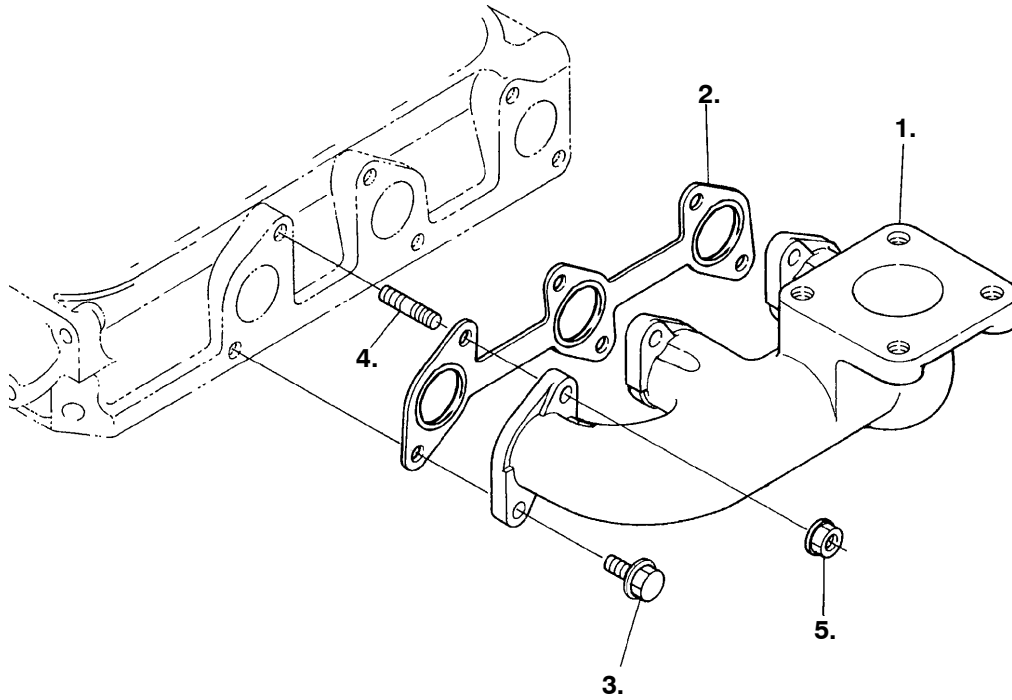
REF NO.	PART NO.	QTY USED	PART DESCRIPTION	REF NO.	PART NO.	QTY USED	PART DESCRIPTION
1.	185-6846	1	Pan, Oil	7.	181-9146	1	Tube, Oil Pickup
2.	181-9210	1	Gasket, Oil Pan	8.	185-7421	1	O'Ring
3.	185-2389	15	Bolt	9.	185-6956	1	Bolt (Spec L-M)
4.	181-9005	2	Bolt		A046W994	1	(Spec N)
5.	185-2398	1	Bolt				
6.	181-9227	1	Plug, Oil Drain				

Pulley



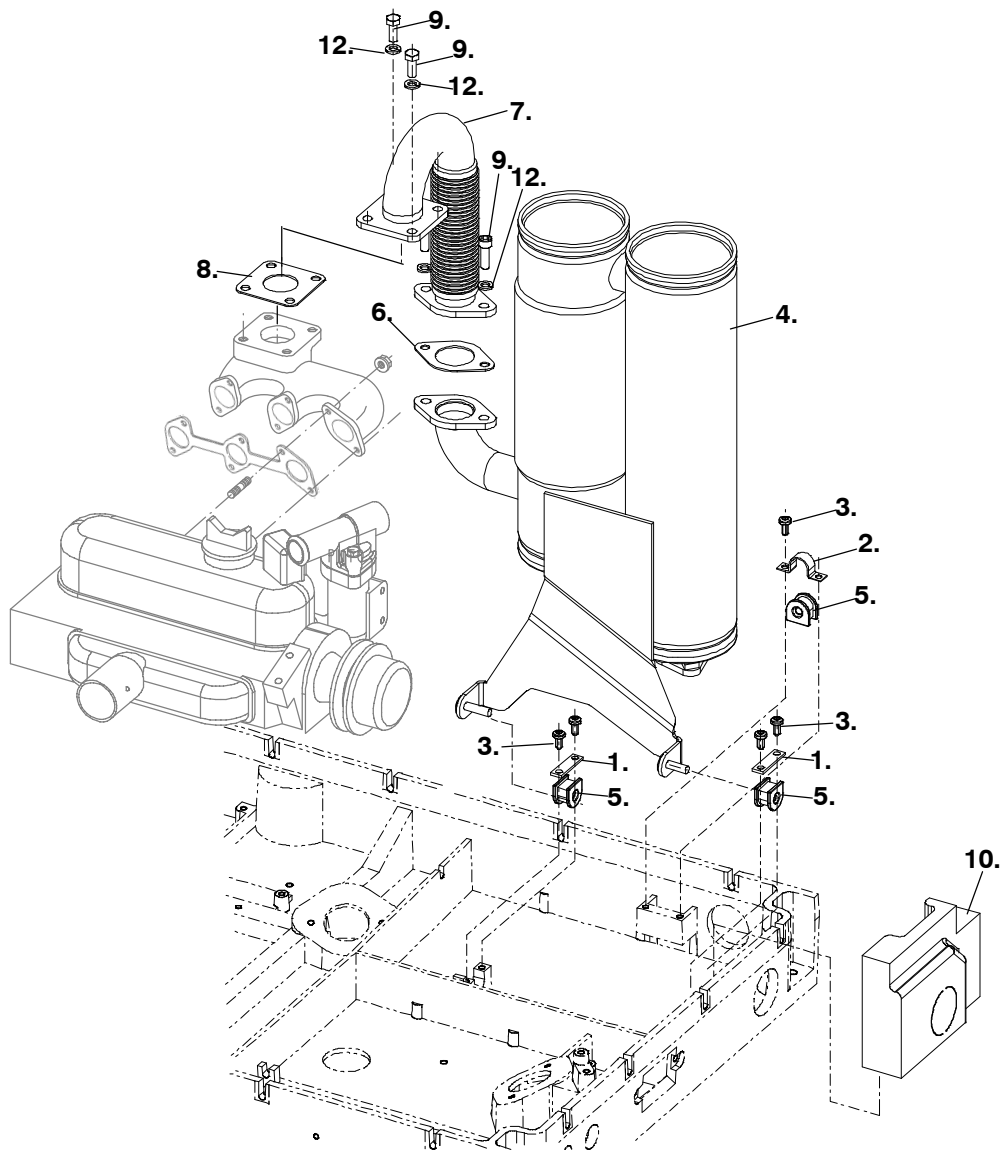
REF NO.	PART NO.	QTY USED	PART DESCRIPTION	REF NO.	PART NO.	QTY USED	PART DESCRIPTION
1.	185-5707	1	Pulley, Fan	4.	185-7083	1	Pulley, Drive
2.	185-2572	4	Screw, Hex Head Flange	5.	511-0235	1	Belt, Water Pump
3.	185-5709	1	Screw, Hex Head Cap				

Exhaust Manifold



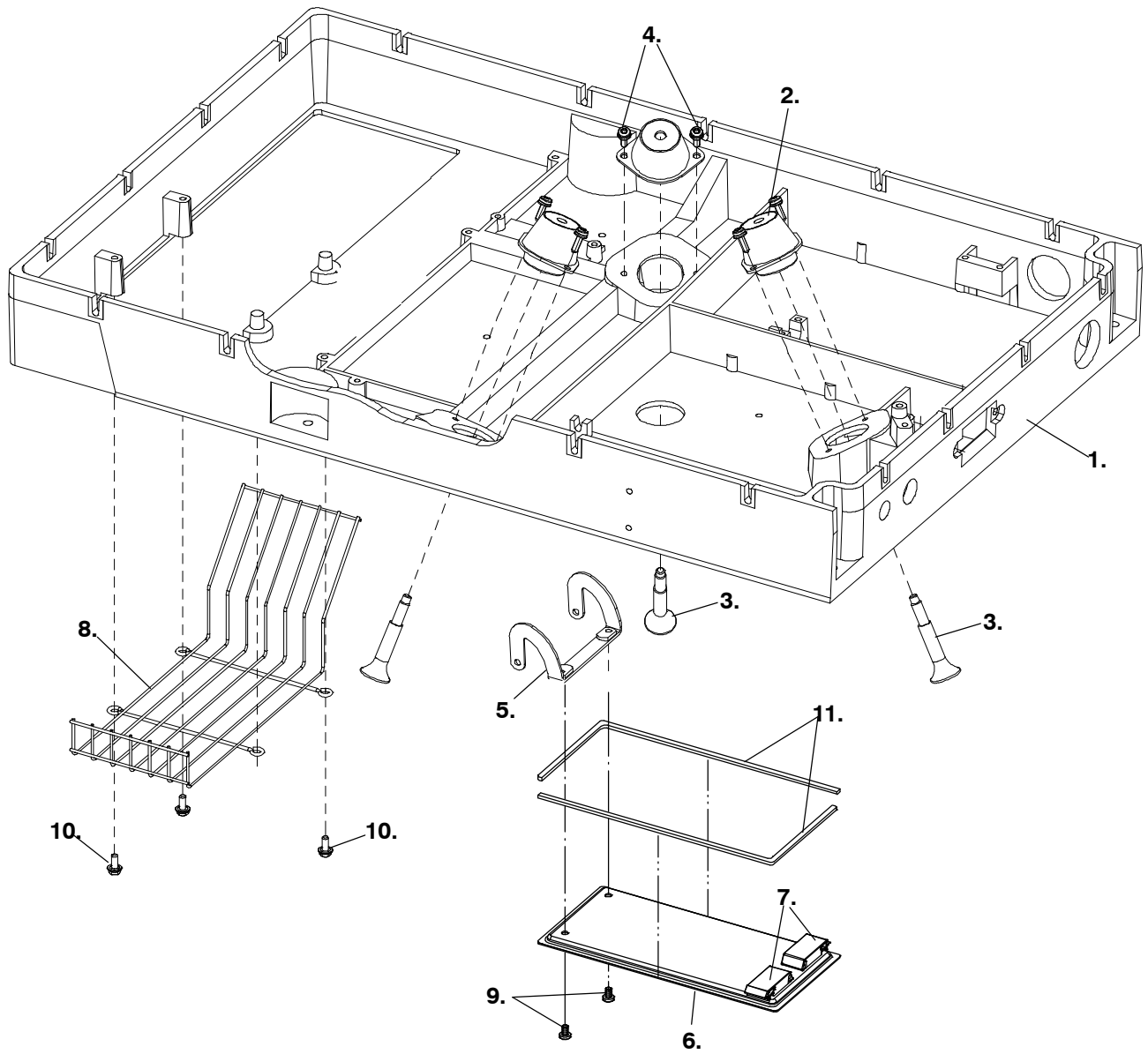
REF NO.	PART NO.	QTY USED	PART DESCRIPTION	REF NO.	PART NO.	QTY USED	PART DESCRIPTION
1.	181-9226	1	Manifold, Exhaust	4.			Stud
2.	154-3294	1	Gasket, Exhaust Manifold		A040P644	3	(Spec L-M)
3.			Bolt		A046X600	3	(Spec N)
	A040P209	3	(Spec L-M)	5.	185-5536	3	Nut
	A046X592	3	(Spec N)				

Exhaust System



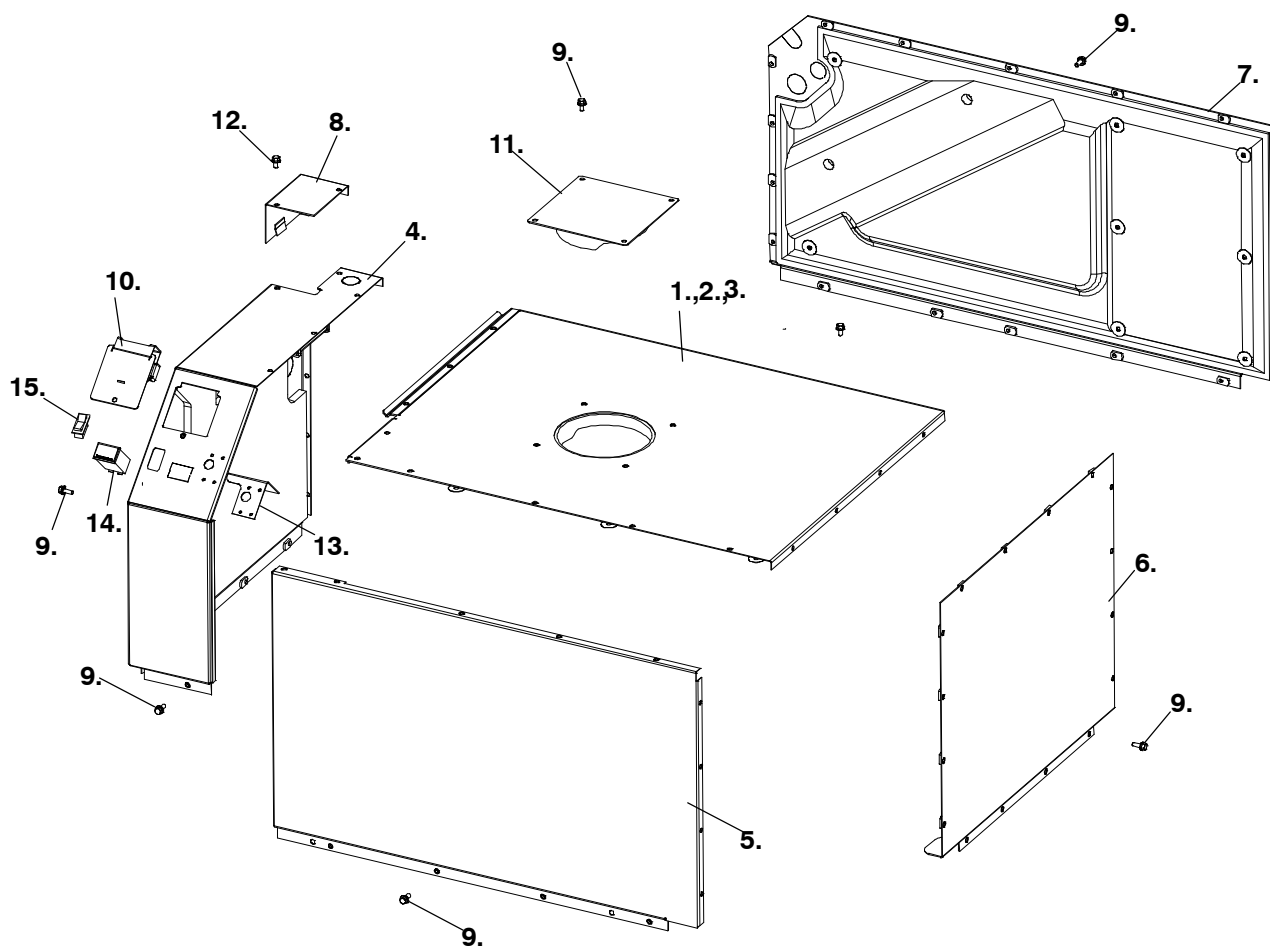
REF NO.	PART NO.	QTY USED	PART DESCRIPTION	REF NO.	PART NO.	QTY USED	PART DESCRIPTION
1.	402-0688-02	2	Clamp, Isolator	9.	725-1051	6	Screw, Socket Head Cap (M8 x 1.25 x 25mm)
2.	402-0695-02	1	Clamp, Isolator (U Shaped)	10.	405-5787	1	Block, Fiberglass
3.	823-0003-02	6	Screw, Pan Head Torx (M6 x 1 x 14mm)	11.	405-5755	1	Seal, Exhaust, Pipe (Not Shown)
4.	155-4661	1	Muffler, Exhaust	12.	850-2008	6	Washer, Split Lock (M8)
5.	402-0687-01	3	Isolator, Muffler				
6.	154-2800	1	Gasket, Exhaust Manifold				
7.	154-3018	1	Exhaust, (Flex Pipe) (Spec L)				
	154-3237	1	(Spec M)				
8.	185-6853	1	Gasket, Exhaust Manifold				

Mounting Base



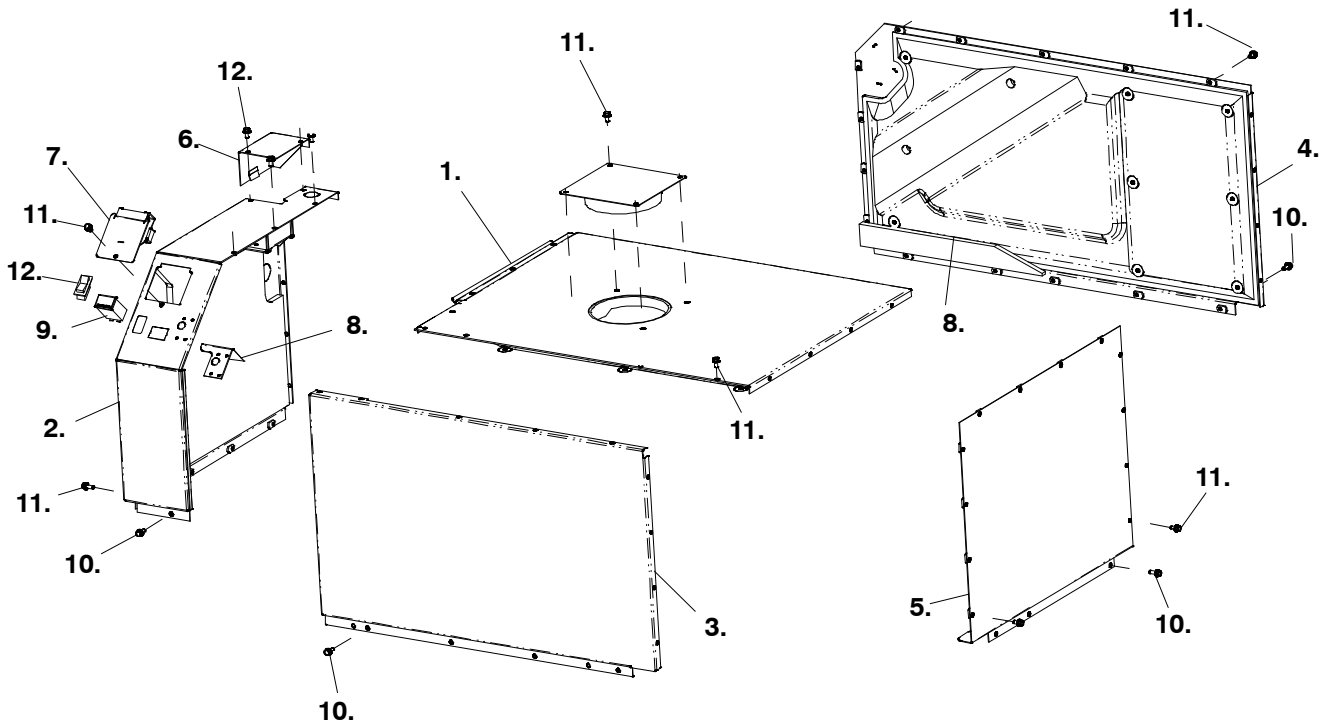
REF NO.	PART NO.	QTY USED	PART DESCRIPTION	REF NO.	PART NO.	QTY USED	PART DESCRIPTION
1.	403-3847-04	1	Base, Mounting	7.	406-0612	2	Latch, Service Panel
2.	402-0680-01	3	Isolator, Vibration	8.	130-4655	1	Guard, Fan
3.	815-0861	3	Screw, Mounting	9.	823-1002-03	2	Screw, Pan Head (M6 x 1 x 10mm)
4.	823-0003-03	6	Screw, Pan Head Torx (M6 x 1 x 20mm)	10.	815-0753	4	Screw, Hex Head (M6 x 1.00 x 14 Self Tap)
5.	402-0673-02	1	Hinge, Door	11.	403-3861	4	Seal, Door
6.	405-5818-S0	1	Door Assy, Maintenance (Includes Latch and Seal)				

Enclosure HDKAH and HDKAJ



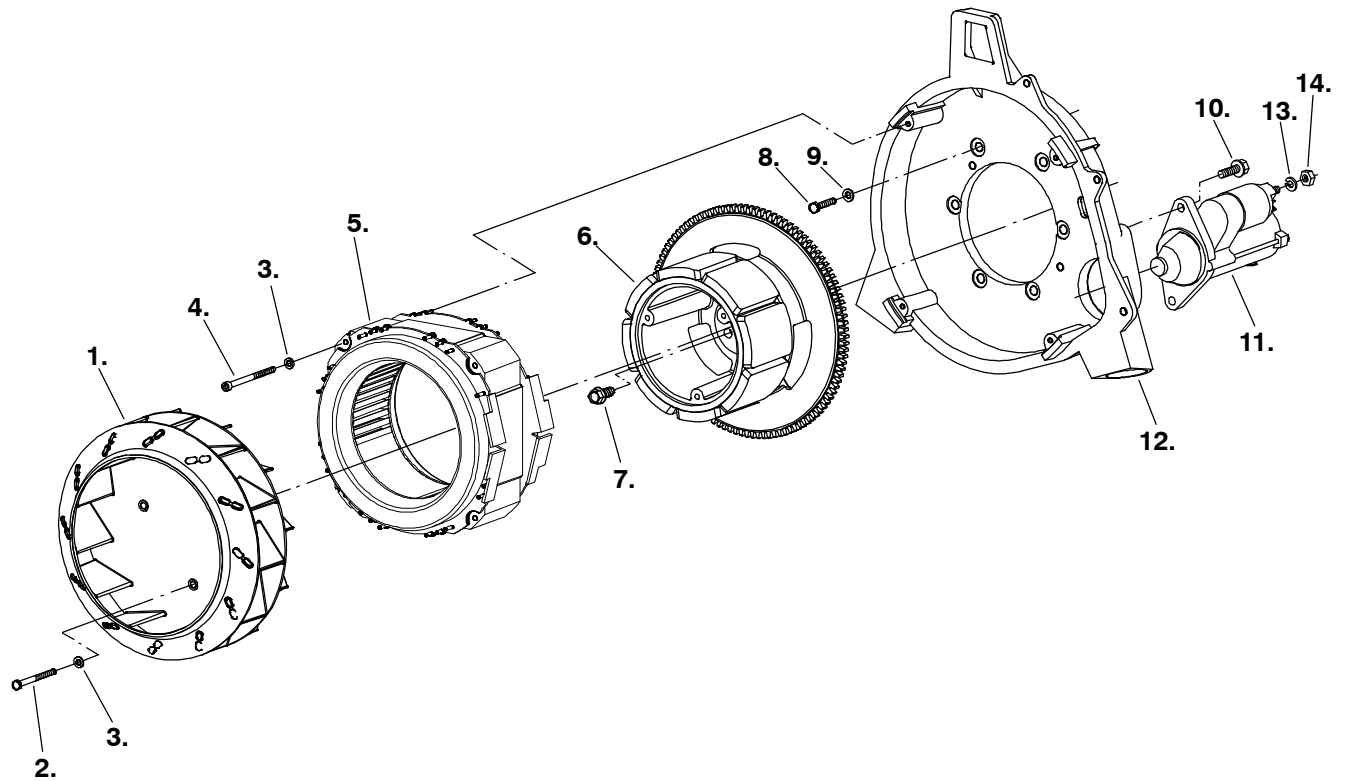
REF NO.	PART NO.	QTY USED	PART DESCRIPTION	REF NO.	PART NO.	QTY USED	PART DESCRIPTION
1.	404-0376-03	1	Panel, Enclosure		405-9605	1	Insulation, Rail
2.	405-9608	1	Insulation		518-0581	8	Nut, Push-On
3.	518-0581	7	Nut, Push-On	8.	405-5380-05	1	Cover, AC
4.	405-9068		Assy, Cap Panel (Includes Cap Insulation 405-5875)	9.	800-6497-02	18	Screw, Hex Head Flange (M6 x 1 x 16mm)
	405-6037-02	1	Standard	10.	405-5309-03	1	Cover, Access
	405-6037-03	1	Standard w/ Hourmeter	11.			Cover, Enclosure (Access) Included in Assembly
5.			Assy, Cover Enclosure (Curb) Included in Assembly		405-5545-02	1	Cover, Access
	405-5758-03	1	Panel, Curb		405-9609	1	Insulation, Cover
	405-9607	1	Insulation, Panel Curb		518-0581	1	Nut, Push-On
	518-0581	7	Nut, Push-On	12.	821-2096-03	34	Screw, Flange Head (M6 x 1 x 12mm)
6.			Assy, Cover Enclosure Included in Assembly	13.	320-1939-02	1	Guard, Circuit Breaker
	405-9833-03	1	Cover, Enclosure	14.	302-2002	1	Hourmeter (Standard Enclosure w/ Hourmeter)
	405-9606	1	Insulation, Panel	15.	308-1038	1	Switch, Rocker
	518-0581	5	Nut, Push-On				
7.			Assy, Cover Enclosure (Rail) Included in Assembly				
	405-5876-03	1	Panel, Rail				

Enclosure HDKAK



REF NO.	PART NO.	QTY USED	PART DESCRIPTION	REF NO.	PART NO.	QTY USED	PART DESCRIPTION
1.	404-0375	1	Panel, Cap Included in Assembly	4.			Cover, Enclosure Included in Assembly
	405-5875	1	Cap, Insulated		405-9606	1	Insulation, Panel
	405-5874-07	1	Panel, End Cap (Hour Meter)		518-0581	5	Nut, Push-On
2.			Cover, Enclosure Included in Assembly	5.			Cover, Enclosure Included in Assembly
	405-6037-03	1	Panel, Cap (Black with HR MTR)		405-9609	1	Insulation, Cover
	405-9607	1	Insulation, Panel Curb		518-0581	1	Nut, Push-On
3.			Cover, Enclosure Included in Assembly	6.	405-5380-05	1	Cover, Access
	405-9605	1	Insulation, Rail	7.	405-5309-03	1	Insulation, Enclosure
	518-0581	8	Nut, Push-On	8.	320-1939-02	1	Guard, Circuit Breaker
				9.	302-2002	1	Meter
				10.	800-6497-02	18	Screw, Hex Flange Head (M6 x 1 x 16mm)
				11.	800-6497-01	34	Screw, Hex Flange Head (M6 x 1 x 12mm)
				12.	308-1038	1	Switch, Rocker

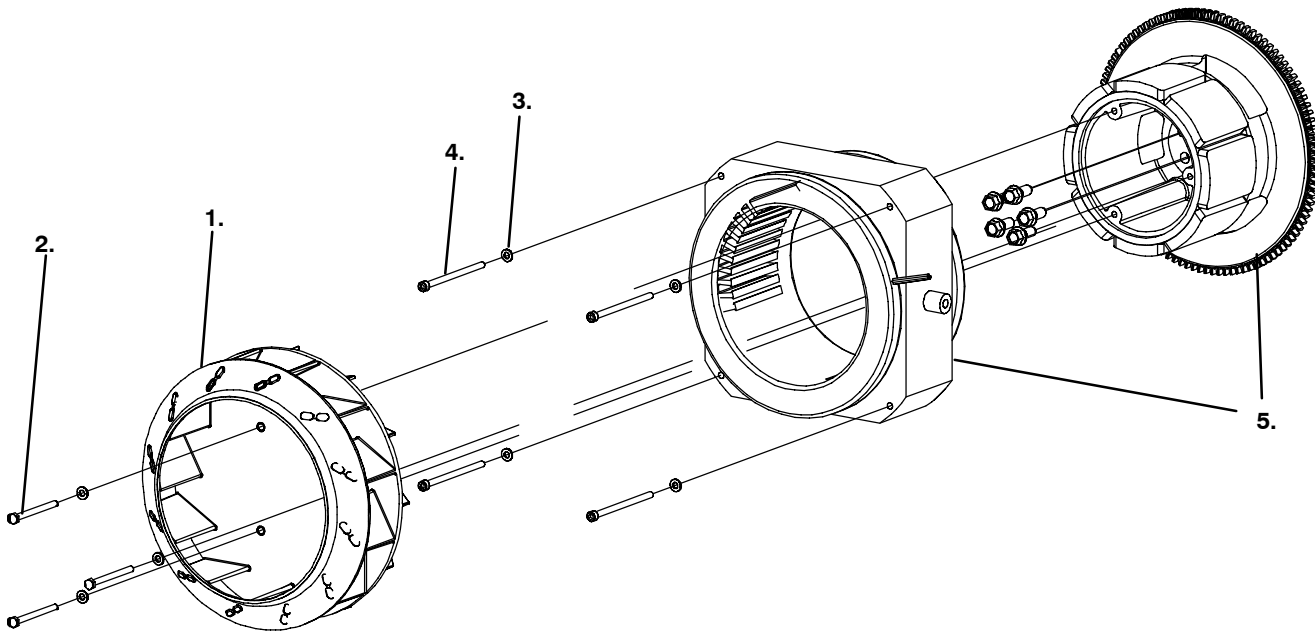
Generator Spec A-N



REF NO.	PART NO.	QTY USED	PART DESCRIPTION	REF NO.	PART NO.	QTY USED	PART DESCRIPTION
1.	205-0302	1	Fan, Generator	9.	526-2100	6	Washer, Flat (M8)
2.	800-2044	3	Screw, Hex Head Cap (M6 x 1 x 70mm)	10.	815-0781	2	Screw, Hex Washer Head (M8 x 1.25 x 30mm)
3.	526-2080	7	Washer, Flat (M6)	11.	191-2200	1	Starter (See Separate Page for Components)
4.	815-0936	4	Screw, Socket Head Cap (M6 x 1 x 100mm)	12.	104-1890	1	Housing, Flywheel
5.	220-4484-01	1	Stator	13.	850-2008	1	Washer, Lock (M8)
6.	201-3540-01	1	Rotor Assy (Includes Ring Gear)	14.	870-0557	1	Nut, Hex (M8 x 1.25)
7.	185-5587	5	Screw, Hex Head Cap				
8.	800-2058	6	Screw, Hex Head Cap (M8 X 1.25 X 25mm)				

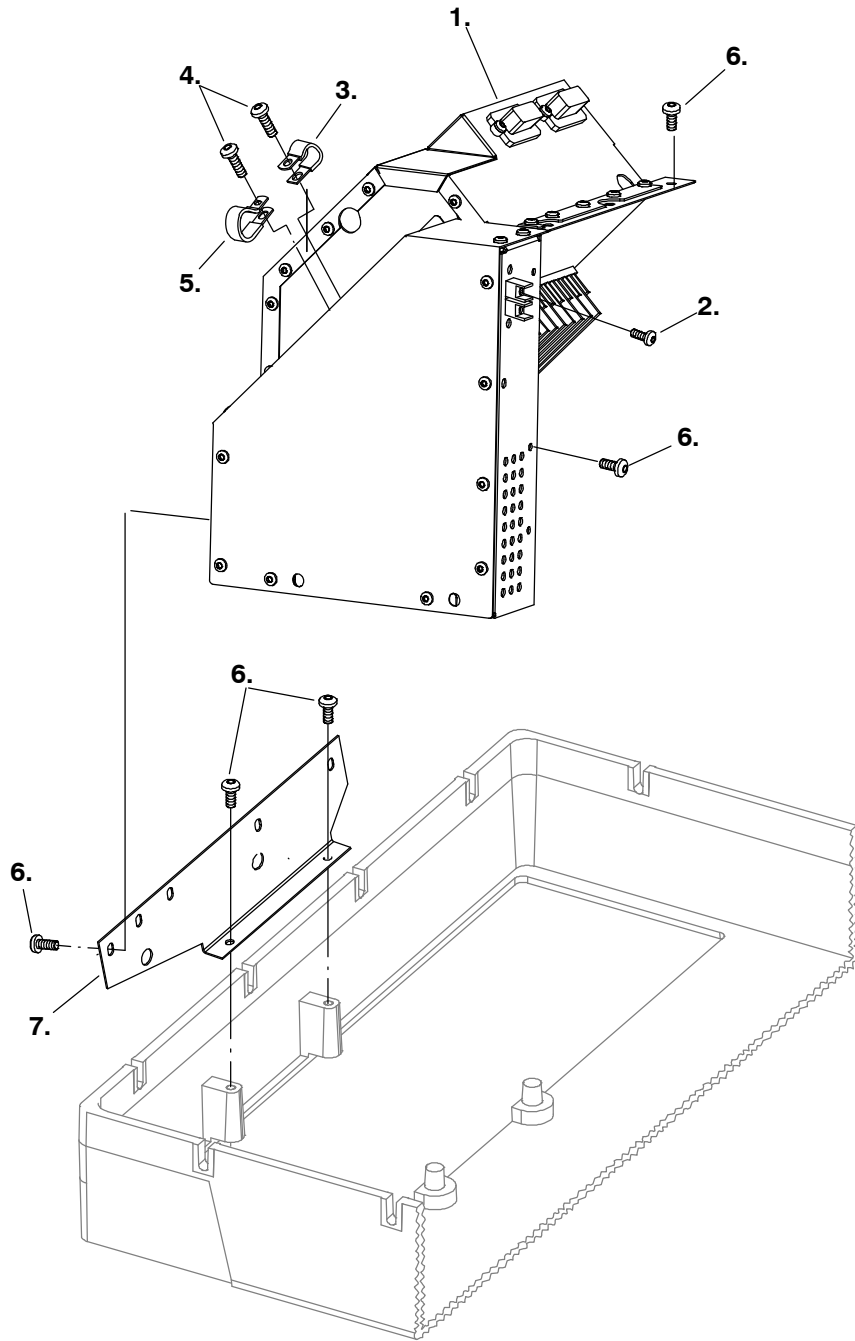
Note- Rotor and Stator parts for Spec A-N are now only available to order as combined generator part A053K355.

Generator Begin Spec P



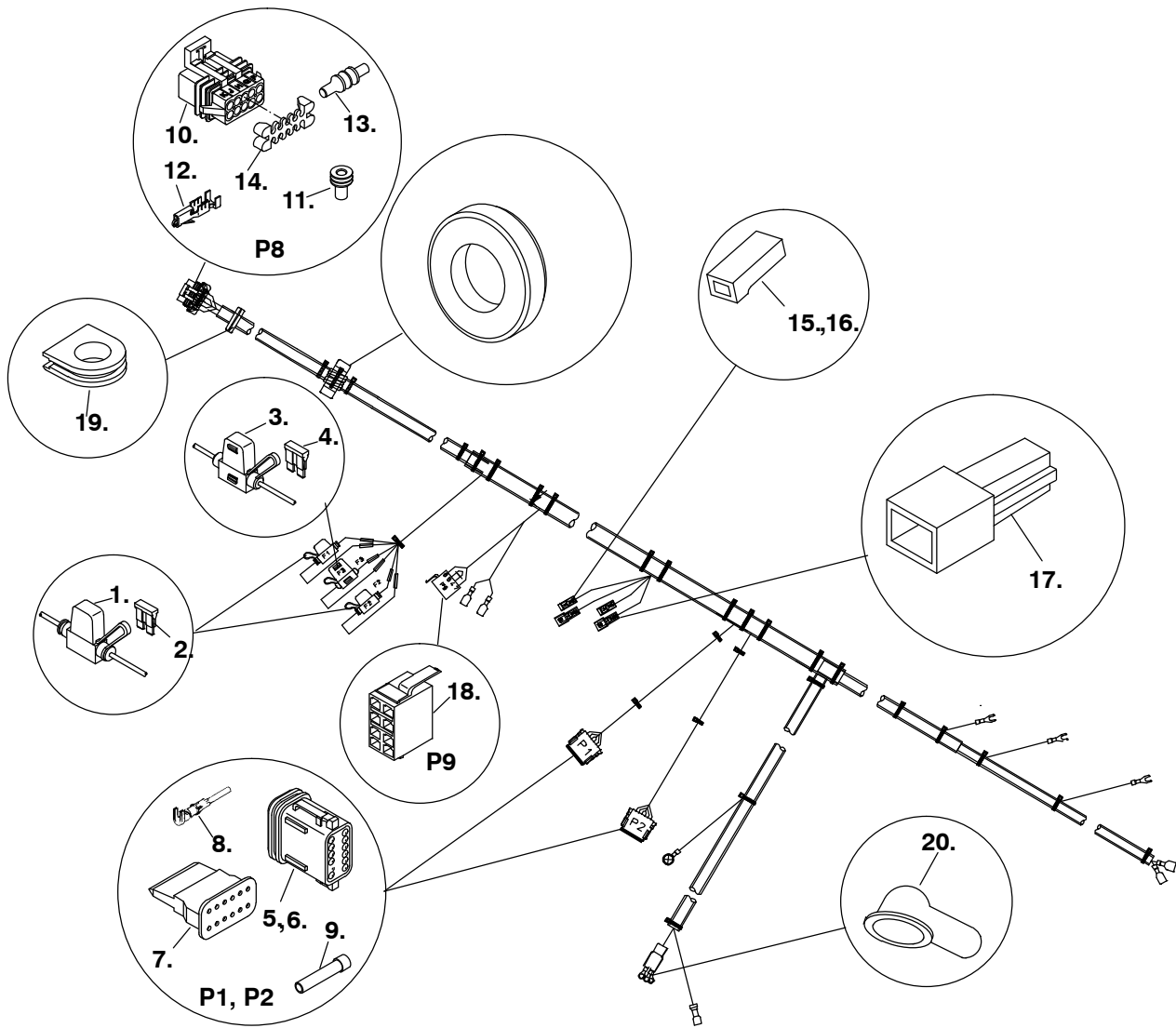
REF NO.	PART NO.	QTY USED	PART DESCRIPTION	REF NO.	PART NO.	QTY USED	PART DESCRIPTION
1.	205-0302	1	Fan, Generator	4.	815-0936	4	Screw, Socket Head Cap (M6 x 1 x 100mm)
2.	800-2044	3	Screw, Hex Head Cap (M6 x 1 x 70mm)	5.	A053K355	1	Generator
3.	526-2080	7	Washer, Flat (M6)				

Inverter Mount



REF NO.	PART NO.	QTY USED	PART DESCRIPTION	REF NO.	PART NO.	QTY USED	PART DESCRIPTION
1.	300-6058-02	1	Inverter	5.	332-1553	1	Clamp, Loop (1")
2.	815-0896-03	2	Screw, Pan Head Torx (8-32 x 3/8")	6.	823-0003-05	11	Screw, Pan Head (M6 x 1 x 14mm)
3.	518-0515	1	Clip, Loop	7.	319-3033-02	1	Bracket, Inverter
4.	823-1002-04	2	Screw, Pan Head Machine (M6 x 1 x 14mm)	8.	327-1461	1	Board, Control (Not Shown)

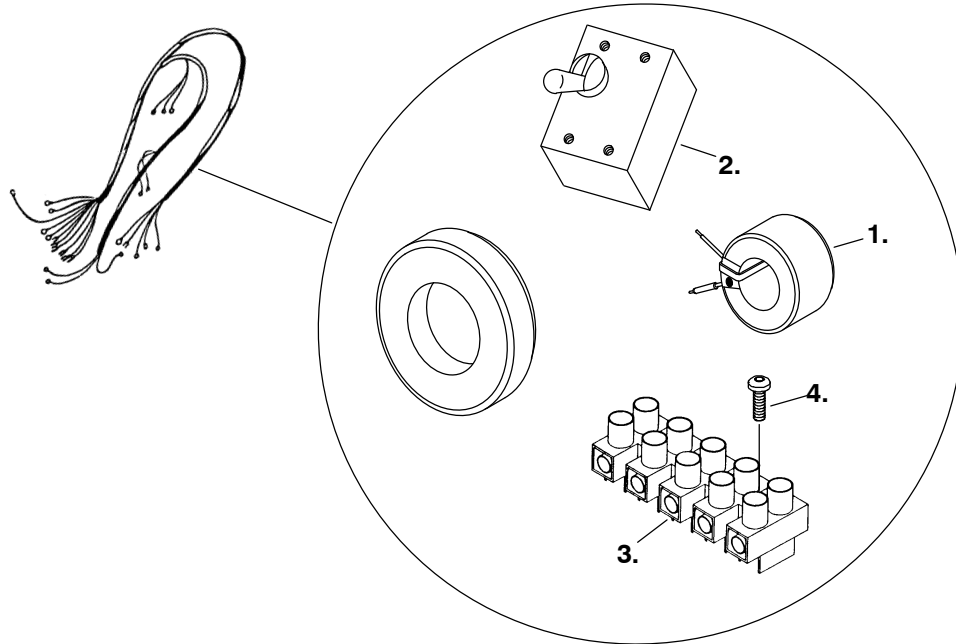
Engine Harness



REF NO.	PART NO.	QTY USED	PART DESCRIPTION	REF NO.	PART NO.	QTY USED	PART DESCRIPTION
	338-3822	1	*Harness, Engine	15.	332-0819	1	Housing, Receptacle Terminal (Natural) (A1-J7)
1.	321-0322	2	Holder, Fuse (1-1/2") (F1, F2)	16.	332-0819-02	1	Housing, Receptacle Terminal (Red) (A1-J5)
2.	321-0321-07	2	Fuse, Blue Blade (F1, F2) (15A)	17.	332-2298-01	1	Housing, Tab Terminal (Black) (A1-J8)
3.	321-0349	1	Holder, Fuse (1") (F3)	18.	308-1019	1	Connector, Switch (P9)
4.	321-0307-08	1	Fuse, Natural Blade (F3) (25A)	19.	508-1105	1	Grommet
5.	323-1582	1	Connector, Plug (12 Pin) (P1)	20.	332-2112	1	Insulator, Terminal
6.	323-1582-02	1	Connector, Plug (12 Pin) (P2)				
7.	323-1583	2	Wedge, Plug (12 Pin) (P1, P2)				
8.	323-1492	20	Terminal, Socket (P1, P2)				
9.	323-1591	4	Seal, Plug (P1, P2)				
10.	323-1711	1	Connector, Plug (10 Pin) (P8)				
11.	323-1708	9	Seal, Cable (P8)				
12.	323-1709	9	Terminal, Socket (P8)				
13.	323-1712	1	Plug, Cavity (P8)				
14.	323-1719	1	Lock, Housing (P8)				

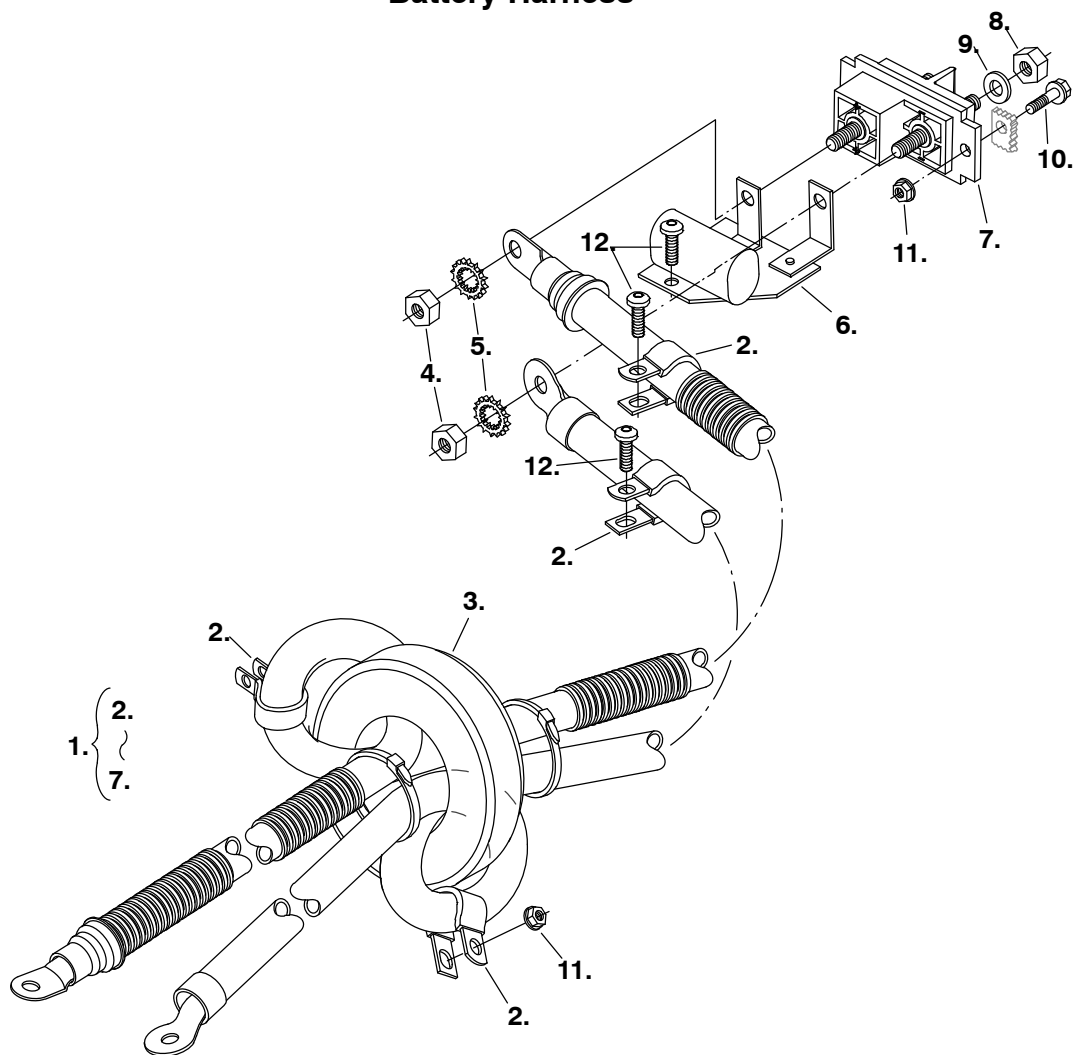
* - See Also the Mounting Base Page for Hardware Included with this Harness.

AC Harness



REF NO.	PART NO.	QTY USED	PART DESCRIPTION	REF NO.	PART NO.	QTY USED	PART DESCRIPTION
	338-3823-01	1	Harness, AC Wiring W/Battery Charger	2.	320-1875-01	1	Breaker, Circuit 35A (All Specs Except 11502)
	338-3824-01	1	W/O Battery Charger		320-1875-04	1	30A (Spec 11502 Only)
	338-3824-01	1	All Specs Except 11502	3.	332-3531-04	1	Block, AC Terminal
1.	315-0760	1	Transformer	4.	812-0070		Screw, Round Head Machine (6-32 x 1-1/4")

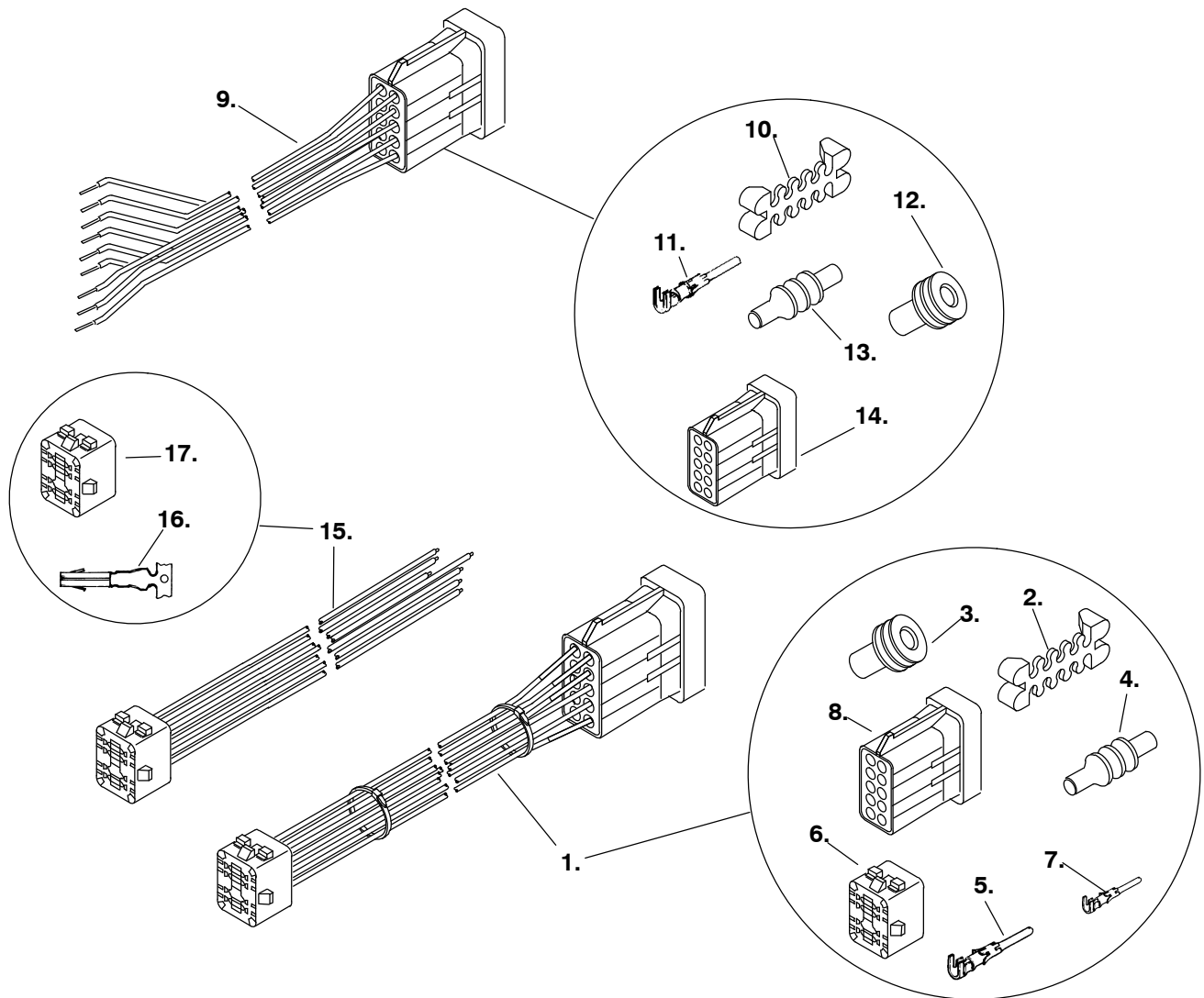
Battery Harness



REF NO.	PART NO.	QTY USED	PART DESCRIPTION	REF NO.	PART NO.	QTY USED	PART DESCRIPTION
1.	338-3841	1	Harness, Battery (Includes Parts Marked *)	9.	526-0054	2	Washer, Flat (5/16")
2.	332-1554	4	*Clamp, Insulated Loop	10.	821-2096-03	2	Screw, Lock Flange (M6 x 1 x 20mm)
3.	315-0770	1	*Core, Ferrite (Not Included with	11.	870-2054	3	Nut, Lock Flange (M6 x 1)
4.	862-0015	2	*Nut, Hex (5/16-18)	12.	823-0003-05	3	Screw, Pan Head (M6 x 1 x 14mm)
5.	856-0008	2	*Washer, EIT Lock (5/16")				
6.	300-4884	1	*PCB Assy, Filter DC				
7.	332-3408	1	*Block, Terminal				
8.	871-0025	2	Nut, Hex Brass (5/16-18)				

* - Parts Included in Battery Harness.

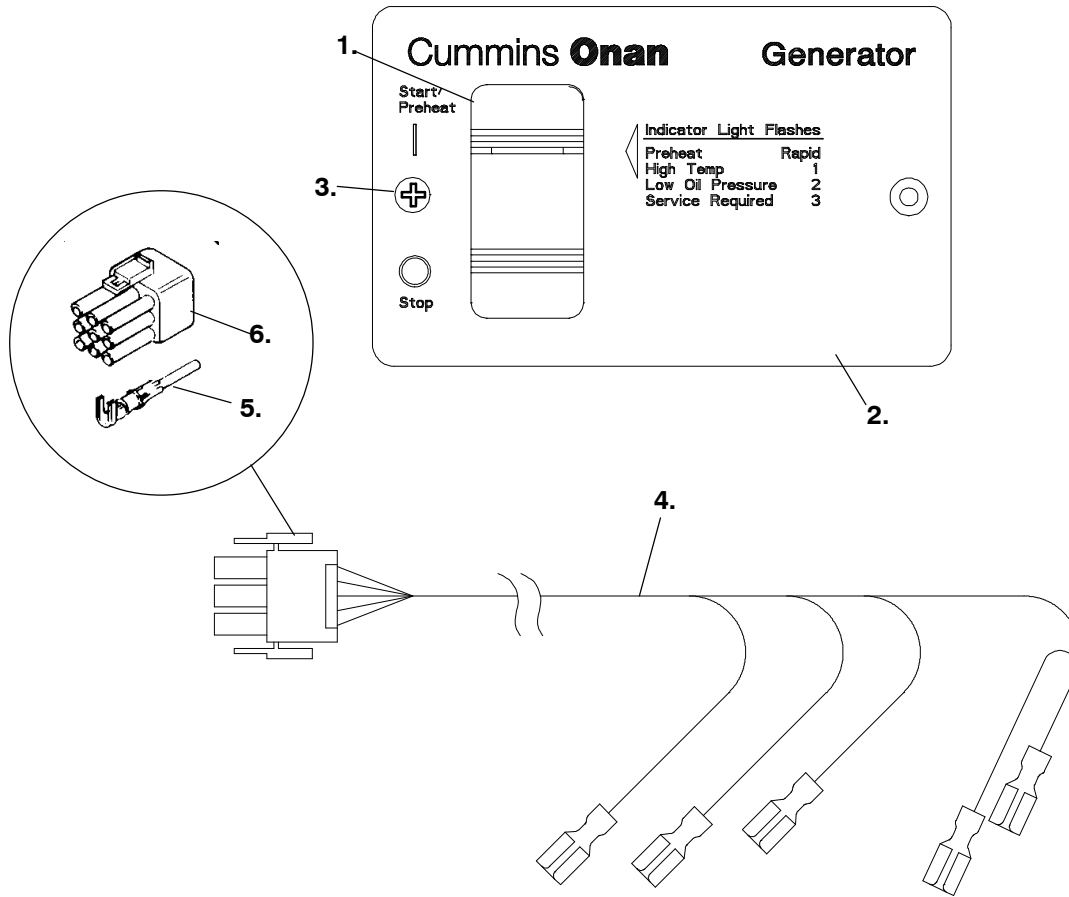
Harnesses



REF NO.	PART NO.	QTY USED	PART DESCRIPTION	REF NO.	PART NO.	QTY USED	PART DESCRIPTION
1.			Harness, Extension (Reaches From DC Control Harness to Remote Panel) (Includes Parts Marked +)	10.	323-1719	1	°Housing, Lock
	338-3490-01	1	10 Feet	11.	323-1707	8	°Pin, Contact
	338-3490-02	1	30 Feet	12.	323-1708	8	°Seal, Cable
2.	323-1719	1	+Housing, Lock	13.	323-1712	2	°Plug, Cavity
3.	323-1708	8	+Seal, Cable	14.	323-1710	1	°Connector, Receptacle (10 Pin)
4.	323-1712	2	+Plug, Cavity	15.	338-3573	1	Harness, Customer Interface Pigtail 6" (Reaches From Remote Panel to Customer Interface) (Includes Sockets and Cap)
5.	323-1200	AR	+Socket, Contact	16.	323-1200	8	Socket, Contact
6.	323-1325	1	+Cap, Connector	17.	323-1325	1	Cap, Connector
7.	323-1707	AR	+Pin, Contact				
8.	323-1710	1	+Connector, Receptacle (10 Pin)				
9.	300-4947	1	Harness, Remote Connector (Customer Interface Pigtail 6") (Reaches From DC Control Harness to Customer Interface) (Includes Parts Marked °)				

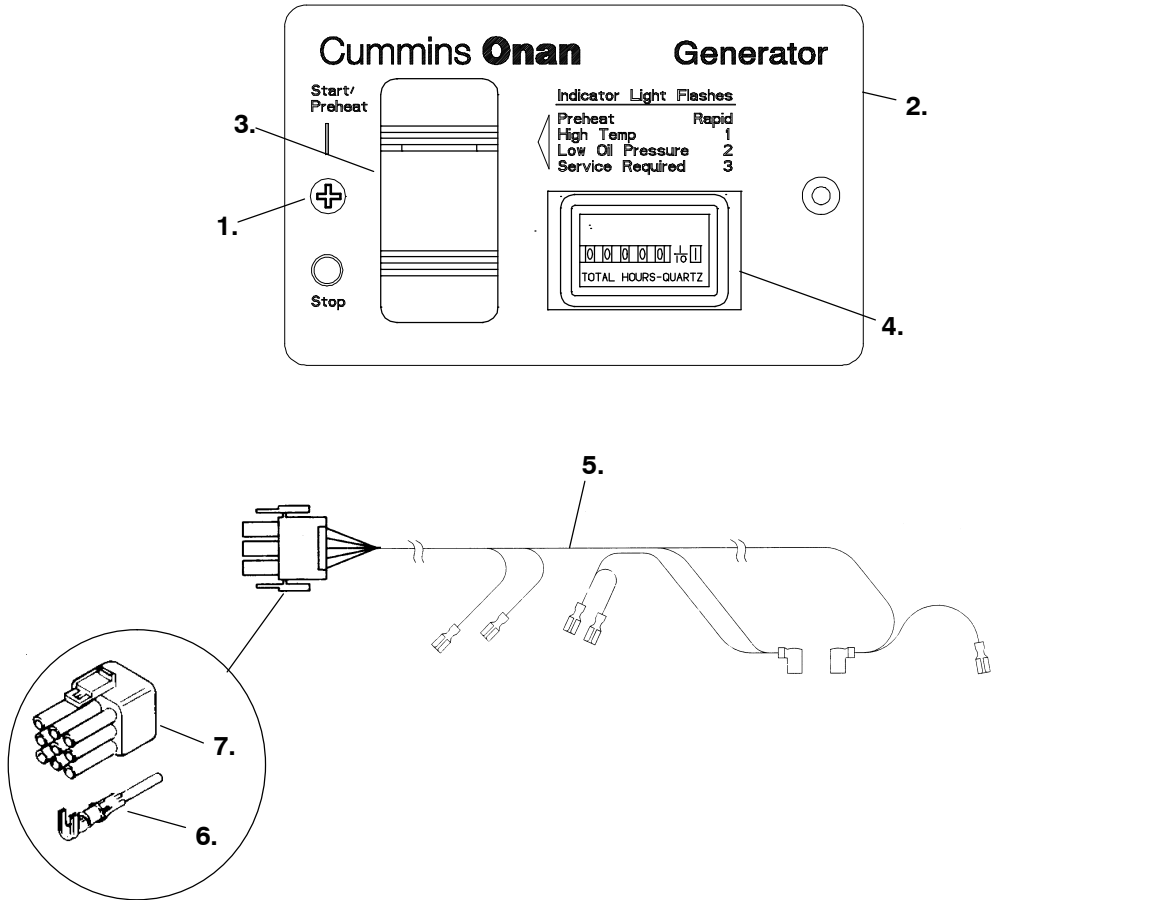
+ - Parts Included in Extension Harness.
 ° - Parts Included in Remote Connector Harness.

Remote Control Panel



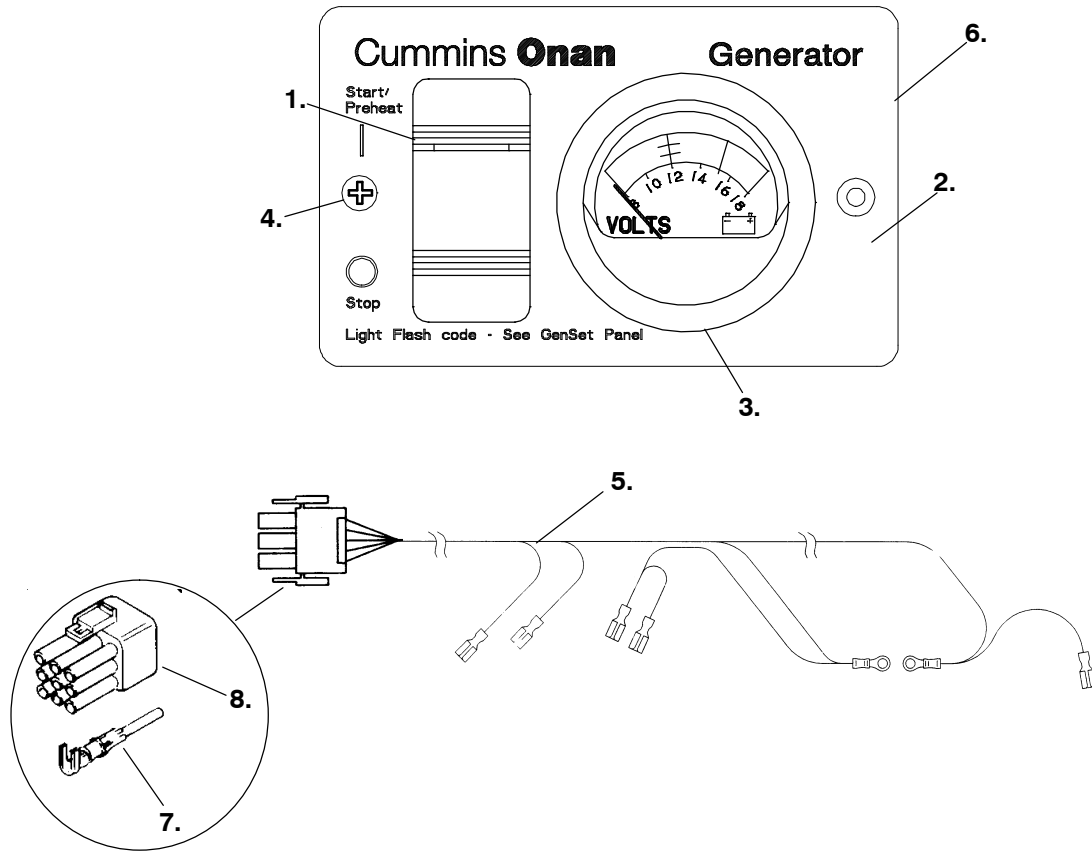
REF NO.	PART NO.	QTY USED	PART DESCRIPTION	REF NO.	PART NO.	QTY USED	PART DESCRIPTION
	300-4942	1	Kit, Remote Panel	4.	338-3812	1	Harness, Remote Panel
1.	308-1062	1	Switch, Rocker (S11)	5.	323-1199	4	Pin, Contact
2.	319-6988-01	1	Panel, Remote (Includes Label)	6.	323-1291	1	Plug (9 Pin)
3.	815-0910	2	Screw, Wood (#6 x 1)				

Remote Switch/Hourmeter Panel



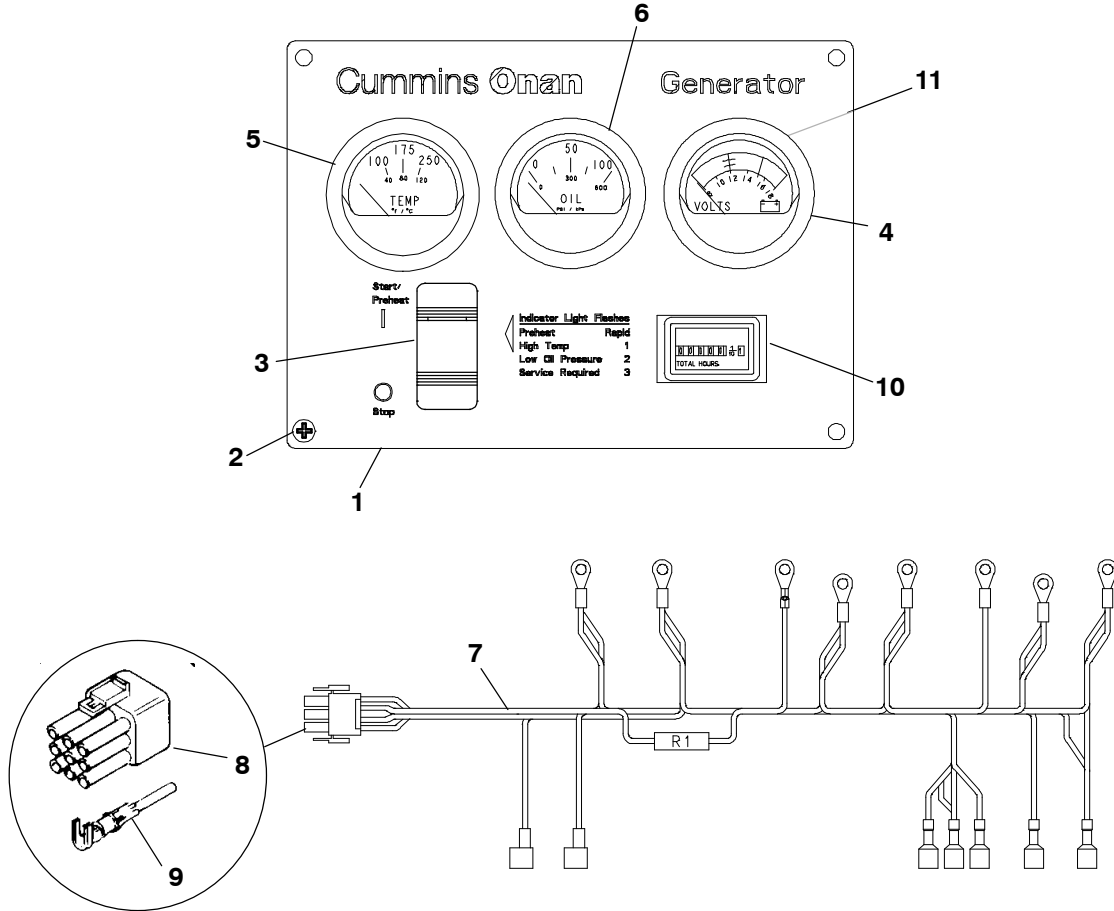
REF NO.	PART NO.	QTY USED	PART DESCRIPTION	REF NO.	PART NO.	QTY USED	PART DESCRIPTION
	300-4943	1	Kit, Switch/Hourmeter Remote Panel	4.	302-2002	1	Hourmeter
1.	815-0910	2	Screw, Wood Mounting (#6 x 1)	5.	338-3475	1	Harness, Remote Panel (Includes Pins and Plug)
2.	319-6988-02	1	Panel, Printed	6.	323-1199	4	Pin, Contact
3.	308-1062	1	Switch, Rocker	7.	323-1291	1	Plug (9 Pin)

Remote Switch/Voltmeter Panel



REF NO.	PART NO.	QTY USED	PART DESCRIPTION	REF NO.	PART NO.	QTY USED	PART DESCRIPTION
	300-4944	1	Kit, Remote Switch/Voltmeter Panel	6.			Hardware, Meter Mounting
1.	308-1062	1	Switch, Rocker		526-0409	2	Washer, Nylon (3/16")
2.	319-6989-03	1	Panel, Printed		526-0049	4	Washer, Flat (#10)
3.	302-1641	1	Meter, Voltage		871-0010	4	Nut, Hex Brass Machine (#10-32)
4.	815-0910	2	Screw, Wood Mounting (#6 x 1)		850-0030	2	Washer, Lock (#10)
5.	338-3509	1	Harness, Remote Panel (Includes Pins and Plug)	7.	323-1199	4	Pin, Contact
				8.	323-1291	1	Plug (9 Pin)

Remote Gauge Panel



REF NO.	PART NO.	QTY USED	PART DESCRIPTION	REF NO.	PART NO.	QTY USED	PART DESCRIPTION
	300-5027	1	Kit, Remote Gauge Panel	8	323-1291	1	Plug (9 Pin)
1	319-6993	1	Panel, w /Decal	9	323-1199	8	Pin, Contact
2	808-0023	4	Screw, Pan Head Sheet Metal Mounting (#8 x 1/2")	10	302-2002	1	Hourmeter
3	308-1062	1	Switch, Rocker (SPDT)	11			Hardware, Meter Mounting
4	302-1641	1	Meter, Voltage		526-0409	8	Washer, Nylon (3/16")
5	193-0351	1	Gauge, Water Temperature		526-0049	16	Washer, Flat (#10)
6	193-0352	1	Gauge, Oil Pressure		871-0010	16	Nut, Hex Brass Machine (#10-32)
7	338-3637	1	Harness, Remote Panel (Includes Plug and Pins)		850-0030	8	Washer, Lock (#10)

Labels

REF NO.	PART NO.	QTY USED	PART DESCRIPTION	REF NO.	PART NO.	QTY USED	PART DESCRIPTION
098-7244		1	Package, Label (Includes Parts Marked *)	098-6876-01		2	Label, Model Ident (7500 HDKAJ)
098-6877		1	*Label, Coolant Level	098-6876-02		2	Label, Model Ident (8000 HDKAK)
098-6878		1	*Label, Fuel Attachment	098-6876-04		1	Label, Model Ident (6000 HDKAH)
098-7127		1	*Label, Warning (Hazardous Voltage)	098-8816		1	Label, Certification
098-7128		2	*Label, Warning (Voltage/ Rotating Parts/Operation Service Risk)	098-7125-01		1	Label, Control Panel (35Amp 2 Pole w/ Hourmeter)
098-7130		1	*Label, Warning (Overheat)	098-7125-05		1	Label, Control Panel (30Amp 2 Pole w/ Hourmeter)
098-7131		1	*Label, Warning (Voltage/ Rotating Fan)				
098-7196		1	*Label, Cool/Oil Fill				
098-7197		1	*Label, Patent				
098-7199		1	*Label, Service Info				
098-7497-02		1	*Label, Warning Install				
098-7368		1	Label, GenVerter				

Numerical Index

<u>Part No.</u>	<u>Page</u>	<u>Part No.</u>	<u>Page</u>	<u>Part No.</u>	<u>Page</u>	<u>Part No.</u>	<u>Page</u>
0100-4111, 9		130-7902, 35 , 36		181-9063, 23		185-2163, 17	
098-6876-04, 56		132-0492, 28		181-9075, 17		185-2180, 15	
098-6877, 56		132-0493, 28		181-9146, 38		185-2188, 9	
098-6878, 56		132-0525, 28		181-9159, 12		185-2233, 9	
098-7125-01, 56		134-5063, 32		181-9162, 11		185-2234, 9 , 27	
098-7125-05, 56		134-5395, 26		181-9165, 9		185-2238, 25	
098-7127, 56		134-5396, 26		181-9169, 14		185-2284, 15 , 19	
098-7128, 56		140-2536-05, 32		181-9176, 11		185-2338, 15	
098-7130, 56		140-2897, 32		181-9179, 11		185-2345, 19	
098-7131, 56		140-2898, 32		181-9182, 17		185-2351, 22	
098-7196, 56		140-2961-02, 32		181-9185, 25		185-2353, 11 , 17	
098-7197, 56		140-3231, 32		181-9202, 19		185-2357, 17	
098-7199, 56		140-3232, 32		181-9203, 14		185-2379, 27	
098-7244, 56		140-3233, 32		181-9205, 23		185-2380, 12	
098-7368, 56		140-4018, 32		181-9210, 38		185-2384, 26	
098-7497-02, 56		140-4273, 32		181-9211, 27		185-2385, 19	
098-8816, 56		147-0860, 29 , 30		181-9226, 40		185-2386, 17 , 22 , 25	
101-0872, 13		147-0970, 16		181-9227, 38		185-2389, 9 , 27 , 38	
103-0844, 27		147-0971, 16		181-9238, 26		185-2393, 14	
104-1890, 45		149-2782-02, 29		181-9241, 26		185-2395, 27	
104-2174, 11		149-2790, 29 , 30		181-9249, 26		185-2398, 38	
105-0777, 17		150-2630, 24		181-9251, 22		185-2411, 18	
105-0778, 12		150-2639, 24		181-9253, 26		185-2413, 18	
110-3990, 22		150-2641, 23 , 24		181-9256, 31		185-2414, 18	
110-3991, 22		150-2643-S0, 23 , 24		184-0013, 23		185-2559, 13 , 28	
110-4125, 9		150-2724, 24		184-0017, 23		185-2572, 39	
110-4128, 18		150-2996, 14		184-0019, 23		185-4255, 23 , 27	
112-0332, 11		154-2800, 41		184-0053, 23		185-5348, 22	
122-0833, 27		154-3018, 41		184-0054, 14		185-5350, 11	
122-0912, 27		154-3237, 41		184-0056, 23		185-5356, 11	
123-2051, 37		154-3294, 40		184-0059, 23		185-5357, 11	
123-2120, 37		155-4661, 41		185-2016, 11		185-5360, 11	
123-2428, 26		181-9001, 31		185-2022, 11		185-5361, 11	
130-4321, 35 , 36		181-9005, 38		185-2028, 11		185-5363, 21	
130-4322, 37		181-9014, 27		185-2029, 11		185-5364, 21	
130-4391, 35 , 36		181-9022, 9		185-2031, 11		185-5365, 21	
130-4392, 35 , 36		181-9024, 26		185-2033, 11		185-5366, 21	
130-4450-02, 37		181-9039, 14		185-2094, 9		185-5367, 21	
130-4462, 35 , 36		181-9057, 15		185-2105, 27		185-5368, 21	
130-4655, 42		181-9059, 25		185-2115, 9		185-5369, 21	
130-6936, 35 , 36		181-9062, 9		185-2124, 27		185-5370, 21	

Numerical Index

<u>Part No.</u>	<u>Page</u>	<u>Part No.</u>	<u>Page</u>	<u>Part No.</u>	<u>Page</u>	<u>Part No.</u>	<u>Page</u>
185-5371, 21		185-5425, 16		185-5568, 11		185-5696, 14 , 23	
185-5372, 21		185-5438, 13		185-5570, 11		185-5701, 14	
185-5373, 21		185-5458, 25		185-5571, 11		185-5702, 14	
185-5374, 21		185-5482, 9		185-5572, 11		185-5703, 14	
185-5375, 21		185-5483, 9		185-5573, 11		185-5707, 39	
185-5376, 21		185-5484, 9		185-5575, 11		185-5709, 39	
185-5377, 21		185-5485, 9		185-5576, 11		185-5712, 28	
185-5378, 21		185-5486, 9		185-5577, 11		185-5713, 28	
185-5379, 21		185-5487, 9		185-5578, 11		185-5714, 28	
185-5380, 21		185-5488, 9		185-5579, 11		185-5716, 28	
185-5381, 21		185-5489, 9		185-5580, 11 , 13		185-5717, 28	
185-5382, 21		185-5492, 9		185-5581, 11 , 13		185-5722, 25	
185-5383, 21		185-5500, 18		185-5583, 11		185-5727, 27	
185-5384, 21		185-5501, 18		185-5587, 45		185-5742, 27	
185-5385, 21		185-5502, 18		185-5612, 19		185-5743, 27	
185-5386, 21		185-5503, 18		185-5614, 19		185-5744, 27	
185-5387, 21		185-5506, 27		185-5615, 19		185-5745, 27	
185-5388, 21		185-5507, 27		185-5616, 21		185-5746, 27	
185-5389, 21		185-5509, 27		185-5617, 21		185-5792, 25	
185-5390, 21		185-5510, 27		185-5618, 21		185-5793, 22	
185-5391, 21		185-5511, 27		185-5619, 21		185-5798, 9	
185-5392, 21		185-5512, 27		185-5621, 21		185-5820, 16	
185-5393, 21		185-5513, 27		185-5622, 21		185-5827, 22	
185-5394, 21		185-5515, 13		185-5623, 16		185-5832, 31	
185-5395, 21		185-5516, 13		185-5624, 16		185-5833, 31	
185-5396, 21		185-5519, 13		185-5625, 16		185-5924, 12	
185-5397, 21		185-5536, 40		185-5626, 16		185-6120, 18	
185-5398, 21		185-5539, 22		185-5629, 17		185-6257, 27	
185-5399, 21		185-5540, 22		185-5631, 17		185-6445, 25 , 26	
185-5400, 21		185-5541, 22		185-5632, 17		185-6667, 25	
185-5401, 21		185-5550, 22		185-5633, 17		185-6677, 25	
185-5402, 21		185-5551, 22		185-5634, 17		185-6738, 19	
185-5403, 21		185-5552, 22		185-5635, 17		185-6739, 16	
185-5404, 21		185-5553, 22		185-5660, 16		185-6759, 23 , 27	
185-5405, 21		185-5555, 12		185-5661, 16		185-6762, 18	
185-5406, 21		185-5560, 12		185-5662, 16		185-6825, 21	
185-5410, 27		185-5561, 12		185-5663, 16		185-6845, 16	
185-5413, 9		185-5562, 12		185-5679, 15		185-6846, 38	
185-5415, 9		185-5563, 12		185-5680, 15		185-6853, 41	
185-5416, 9		185-5564, 12		185-5681, 15		185-6883, 16	
185-5421, 19		185-5565, 12		185-5682, 15		185-6888, 16	

Numerical Index

<u>Part No.</u>	<u>Page</u>	<u>Part No.</u>	<u>Page</u>	<u>Part No.</u>	<u>Page</u>	<u>Part No.</u>	<u>Page</u>
185-6919,	9	308-1062,	52 , 53 , 54 , 55	332-3408,	50	501-1128,	19
185-6931,	15	315-0760,	49	332-3531-04,	49	501-1130,	19
185-6956,	38	315-0770,	50	338-3475,	53	501-1131,	19
185-6999,	14	319-3033-02,	47	338-3490-01,	51	502-0395,	29
185-7069,	27	319-6988-01,	52	338-3490-02,	51	502-1296-02,	29 , 30
185-7073,	13	319-6988-02,	53	338-3509,	54	502-1367-01,	35
185-7076,	11	319-6989-03,	54	338-3573,	51	502-1529,	35
185-7080,	23	319-6993,	55	338-3637,	55	503-0429,	32
185-7082,	19	320-1875-01,	49	338-3812,	52	503-1136,	35 , 36
185-7083,	39	320-1875-04,	49	338-3822,	48	503-1137,	35 , 36
185-7086,	22	320-1939-02,	43 , 44	338-3823-01,	49	503-1920,	35 , 36
185-7087,	31	321-0307-08,	48	338-3824-01,	49	503-1921,	35 , 36
185-7313,	15	321-0321-07,	48	338-3841,	50	503-1922,	35 , 36
185-7382,	27	321-0322,	48	402-0673-02,	42	503-1923,	35 , 36
185-7385,	12	321-0349,	48	402-0680-01,	42	503-1951-09,	29 , 30
185-7386,	11	323-1199,	53 , 54 , 55	402-0688-02,	41	503-1951-12,	29 , 35 , 36
185-7395,	22	323-1200,	51	402-0695-02,	41	503-1951-13,	29 , 30
185-7407,	11	323-1291,	53 , 54 , 55	403-3847-04,	42	503-1951-35,	35 , 36
185-7421,	38	323-1325,	51	403-3859,	37	503-1951-40,	35 , 36
185-7426,	26	323-1492,	48 , 52	403-3860,	29 , 30	503-1951-46,	37
191-2200,	45	323-1541,	52	403-3861,	42	503-1954,	35 , 36
193-0318,	25	323-1582,	48	403-3863-02,	29 , 30	503-1959,	35 , 36
193-0351,	55	323-1582-02,	48	404-0179,	35 , 36	503-1970-02,	35 , 36
193-0352,	55	323-1583,	48	404-0375,	44	503-1979,	32
201-3540-01,	45	323-1591,	48	404-0376-03,	43	503-1985,	32
205-0302,	45 , 46	323-1707,	51	405-5309-03,	43 , 44	503-2895,	29
220-4484-01,	45	323-1708,	48 , 51	405-5380-05,	43 , 44	508-1105,	48
232-4192,	13	323-1709,	48	405-5545-02,	43	508-1255,	11
232-4193,	13	323-1710,	51	405-5755,	41	509-0329,	37
300-4884,	50	323-1711,	48	405-5787,	41	509-0380,	11
300-4942,	52	323-1712,	48 , 51	405-5818-S0,	42	509-0549,	9
300-4943,	53	323-1719,	48 , 51	405-5876-03,	43	510-0184,	24
300-4944,	54	327-1461,	47	405-6037-02,	43	511-0235,	39
300-4947,	51	332-0819,	48	405-6037-03,	43 , 44	517-0273,	29 , 30
300-5027,	55	332-0819-02,	48	405-9068,	43	518-0515,	47
300-6058-02,	47	332-1356,	32	405-9605,	44	518-0548-61,	29 , 30
302-1641,	54 , 55	332-1553,	35 , 36 , 47	405-9606,	43 , 44	518-0581,	43 , 44
302-2002,	43 , 44 , 53 , 55	332-1554,	30 , 50	405-9607,	43 , 44	518-0672,	23 , 24
308-1019,	48	332-2112,	48	405-9609,	43 , 44	526-0049,	54 , 55
308-1038,	43 , 44	332-2298-01,	48	405-9833-03,	43	526-0054,	50
		332-2898,	37	406-0612,	42	526-0409,	54 , 55

Numerical Index

<u>Part No.</u>	<u>Page</u>	<u>Part No.</u>	<u>Page</u>	<u>Part No.</u>	<u>Page</u>	<u>Part No.</u>	<u>Page</u>
526-2080,	45 , 46	870-2054,	35 , 36 , 50	A046X266,	11		
526-2083,	37	871-0010,	54 , 55	A046X269,	11		
526-2100,	45	871-0025,	50	A046X274,	11		
541-1442,	29 , 30	898-1196-33,	29 , 30	A046X323,	11		
725-1051,	41	A026E389,	27 , 31	A046X327,	11		
740-1002,	24	A029L892,	30	A046X479,	17		
800-0603-01,	32	A029L914,	30	A046X490,	17		
800-2044,	45 , 46	A029M042,	29 , 30	A046X492,	23		
800-2058,	45	A029Z860,	30	A046X495,	23		
800-6330,	26	A040P209,	40	A046X497,	19		
800-6497-01,	44	A040P211,	12	A046X501,	19 , 21		
800-6497-02,	43 , 44	A040P219,	25	A046X504,	19		
800-6549,	16	A040P227,	13	A046X510,	19 , 21		
808-0023,	55	A040P435,	16	A046X513,	19		
812-0070,	49	A040P644,	40	A046X525,	21		
815-0753,	35 , 36 , 42	A040P650,	21	A046X534,	21		
815-0781,	45	A040P671,	22	A046X545,	21		
815-0861,	42	A040P910,	12	A046X547,	21		
815-0877,	24	A040P914,	17	A046X554,	21		
815-0896-03,	47	A040P916,	9	A046X561,	21		
815-0910,	52 , 53 , 54	A040P972,	14	A046X565,	21		
815-0936,	45 , 46	A040R285,	9	A046X568,	19 , 21		
821-2032,	37	A040R304,	13	A046X574,	14		
821-2035,	35 , 36	A044B674,	9	A046X581,	14		
821-2096-02,	37	A046W974,	9	A046X592,	40		
821-2096-03,	29 , 30 , 35	A046W994,	38	A046X600,	40		
, 36 , 43 , 50		A046W997,	18	A053K355,	46		
823-0003-02,	29 , 30 , 32	A046X144,	18				
, 41		A046X148,	18				
823-0003-03,	42	A046X152,	25 , 27				
823-0003-05,	47 , 50	A046X165,	26				
823-1002-03,	32 , 42	A046X183,	13				
823-1002-04,	32 , 47	A046X193,	13				
850-0030,	54 , 55	A046X195,	13				
850-2008,	41 , 45	A046X199,	13				
850-2083,	16	A046X204,	13				
856-0008,	50	A046X207,	13				
862-0015,	50	A046X244,	12				
865-0029,	32	A046X251,	12				
868-0007,	29 , 30	A046X254,	12				
870-0540-03,	32	A046X258,	11				
870-0557,	45						

power.cummins.com

Copyright © 2016 Cummins Inc. All rights reserved.

Cummins, Onan, the "C" logo, and "Performance you rely on." are trademarks of Cummins Inc.

Other company, product, or service names may be trademarks or service marks of others.

Specifications are subject to change without notice.

