



**LCI FLEX GUARD
OEM INSTALLATION MANUAL**

**L I P P E R T
C O M P O N E N T S[®]**

TABLE OF CONTENTS

System Information	2
Features.....	2
Weight Ratings.....	2
Safety Information	2
Resources Required	3
Installation	3
Notes	5

System Information

The Flex Guard straightens during extension and bends in an arc as it contracts. This unique design prevents sagging during slide-out operation as well as unnatural bends that can lead to breakage.

Lippert Components, Inc. recommends that the following inspections, troubleshooting, component replacement, and verifications be completed only by certified RV technicians.

Features

- Can be installed on any slide-out system that uses a 1/4" steel rod or swing arm for the same application.
- Single, double and triple applications.
- All kits come with 8" or 10" mounting post with star washer and five Flex Guard clips.

Weight Ratings

Short Flex Guard rating:

- Single - 2 pounds
- Double - 6 pounds
- Triple - 12 pounds

Long Flex Guard rating:

- Single - 1 pound
- Double - 3 pounds
- Triple - 6 pounds

NOTE: The length of the Flex Guard, short or long application, is determined by which mounting holes are used. If needed, cut the Flex Guard to create a short Flex Guard.

Safety Information

WARNING

Failure to follow instructions provided in this manual may result in death, serious personal injury, severe vehicle damage or voiding of the component warranty.

WARNING

The unit MUST be supported per manufacturer's recommendations before working underneath. Failure to do so may result in death, serious personal injury, severe product or property damage.

CAUTION

Always wear eye protection when performing service or maintenance to the unit. Other safety equipment to consider would be hearing protection, gloves and possibly a full face shield, depending on the nature of the service.

CAUTION

Moving parts can pinch, crush or cut. Keep clear and use caution.

Resources Required

- Cordless or electric drill or screw gun
- Appropriate drive bits
- #10 x 1" self-tapping screws or #10 x 1" wood screws

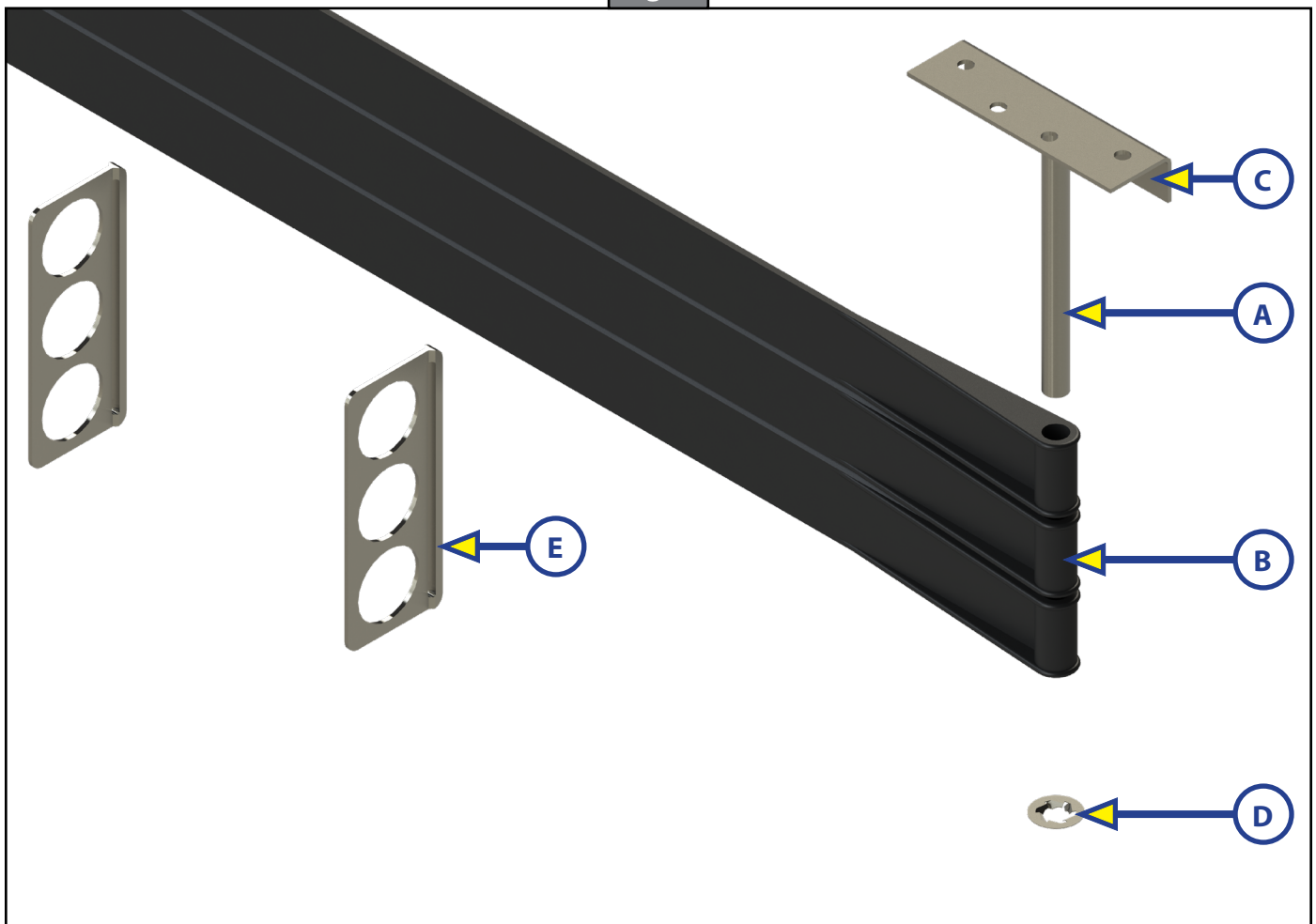
NOTE: Flex Guard and Flex Guard clips are available in single, double and triple (Fig. 1B) belt heights.

Installation

NOTE: Variations from the install, unless otherwise approved by LCI Engineering, will not be covered under warranty.

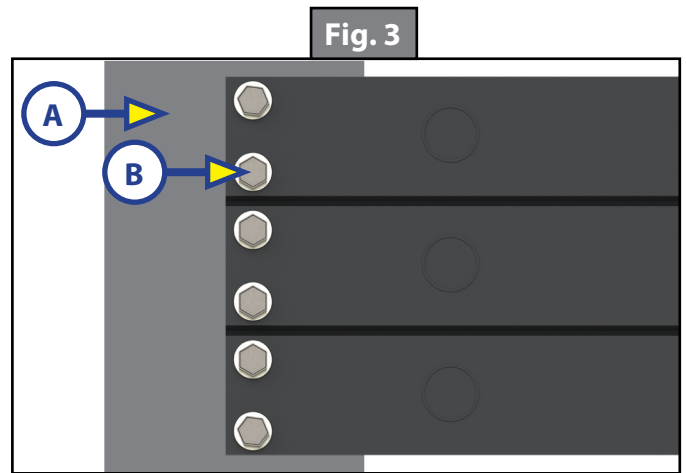
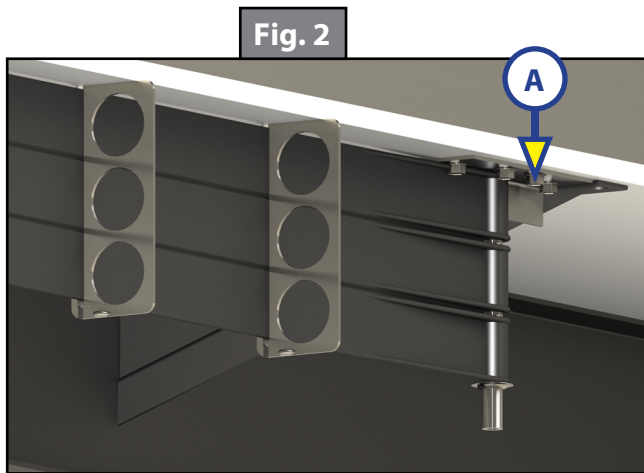
1. Position Flex Guard under the slide-out room where the wiring or hoses to be protected are located.
2. Insert the aluminum pin (Fig. 1A) into the Flex Guard (Fig. 1B) with the mounting bracket (Fig. 1C) facing up. Slide the star washer (Fig. 1D) over the end of the pin at the bottom of the Flex Guard and push in place.
3. Slide the Flex Guard clips (Fig. 1E) onto the end of the Flex Guard with the holes in the clips facing the direction of the hoses and wiring to hold them in place. Space all clips evenly throughout the length of the Flex Guard.

Fig. 1



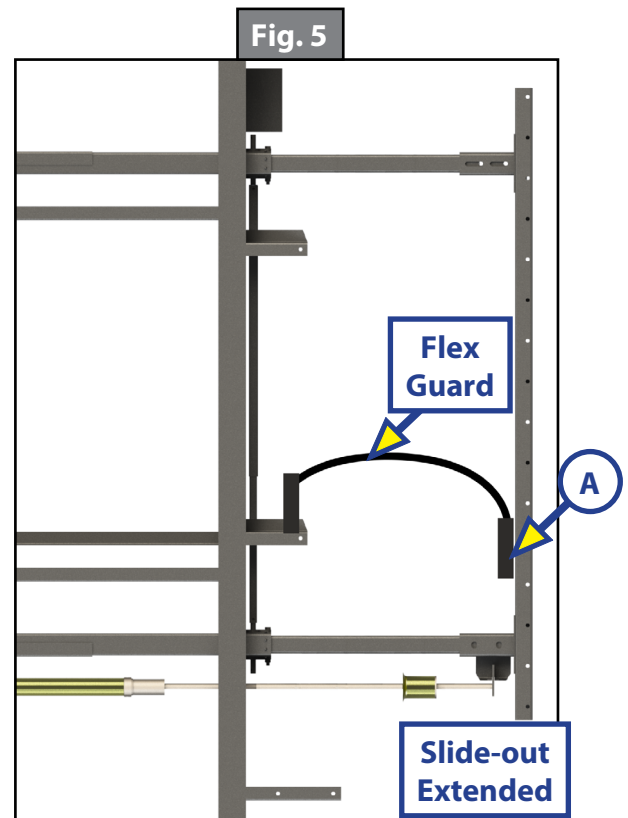
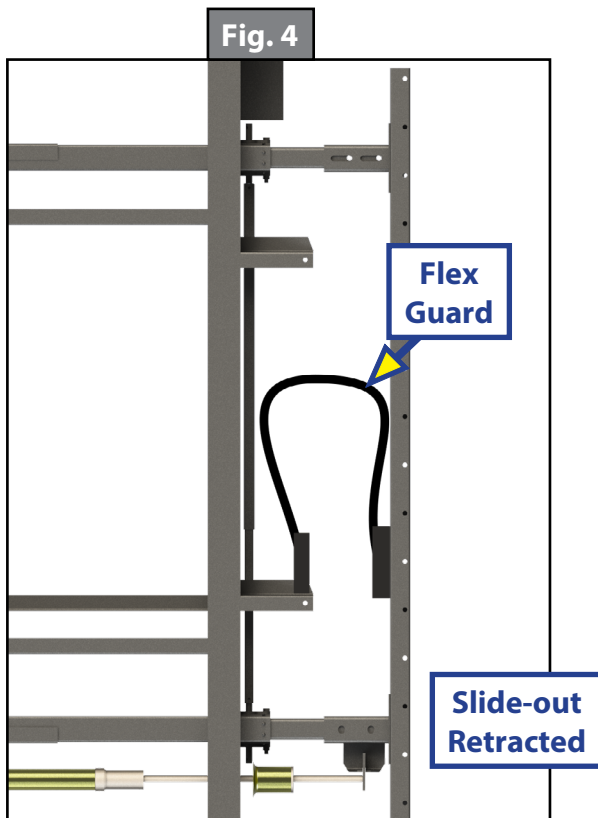
NOTE: Quantity of clips varies with application.

4. Install Flex Guard mounting bracket (Fig. 1C) to the bottom of the unit floor, perpendicular to the outrigger and furthest away from the I-beam or room bar, using four #10 x 1" self-tapping screws or #10 x 1" wood screws (Fig. 2A).



5. Mount the flat end of the Flex Guard to the LCI-supplied mounting plate (Fig. 3A) mounted offset to the aluminum pin (Fig. 1A) at the opposite end using two #10 x 1" self-tapping screws (Fig. 3B) per belt section. Install the LCI-supplied mounting plate to the bottom side of the slide-out room.
6. Slide any hoses and wiring through the holes in the Flex Guard clips when installing in order to protect hoses and wiring with the Flex Guard.
7. Flex Guard should be kept parallel to the slide room floor.
8. Make sure the flat end of the Flex Guard is mounted several inches away from the direction of the bend of the retracted Flex Guard (Fig. 4).

NOTE: Over extended Flex Guard may create a crease at the flat mounting end attachment point (Fig. 5A).





L I P P E R T C O M P O N E N T S[®]

The contents of this manual are proprietary and copyright protected by Lippert Components, Inc. ("LCI"). LCI prohibits the copying or dissemination of portions of this manual unless prior written consent from an authorized LCI representative has been provided. Any unauthorized use shall void any applicable warranty. The information contained in this manual is subject to change without notice and at the sole discretion of LCI.

Revised editions are available for free download from lci1.com.

Please recycle all obsolete materials.

For all concerns or questions, please contact
Lippert Components, Inc.

Ph: (574) 537-8900 | Web: lci1.com | Email: customerservice@lci1.com