

Fisher & Paykel

DishDrawer®
DD24SCTX7 FP US CA
Product Code: 84680-B

Parts Manual

US CA

Brand:	Fisher & Paykel
Voltage:	120V, 60H
Model:	DD24SCTX7 FP US CA
Product Code:	84680-B

Model

- The model covered by this manual is listed on the front cover.
- The information detailed in this manual is subject to change without notice. The latest version is indicated by the reprint date and replaces any earlier editions.

Kit Parts

Kit components are shown in *italics*. Where a part number is shown against the descriptions for these kit components, they are also available as separate items. In addition, some parts may be supplied with these kits that are not available as separate items, and are therefore either not listed, or a part number is not shown against the part description in this manual.

Parts List Key

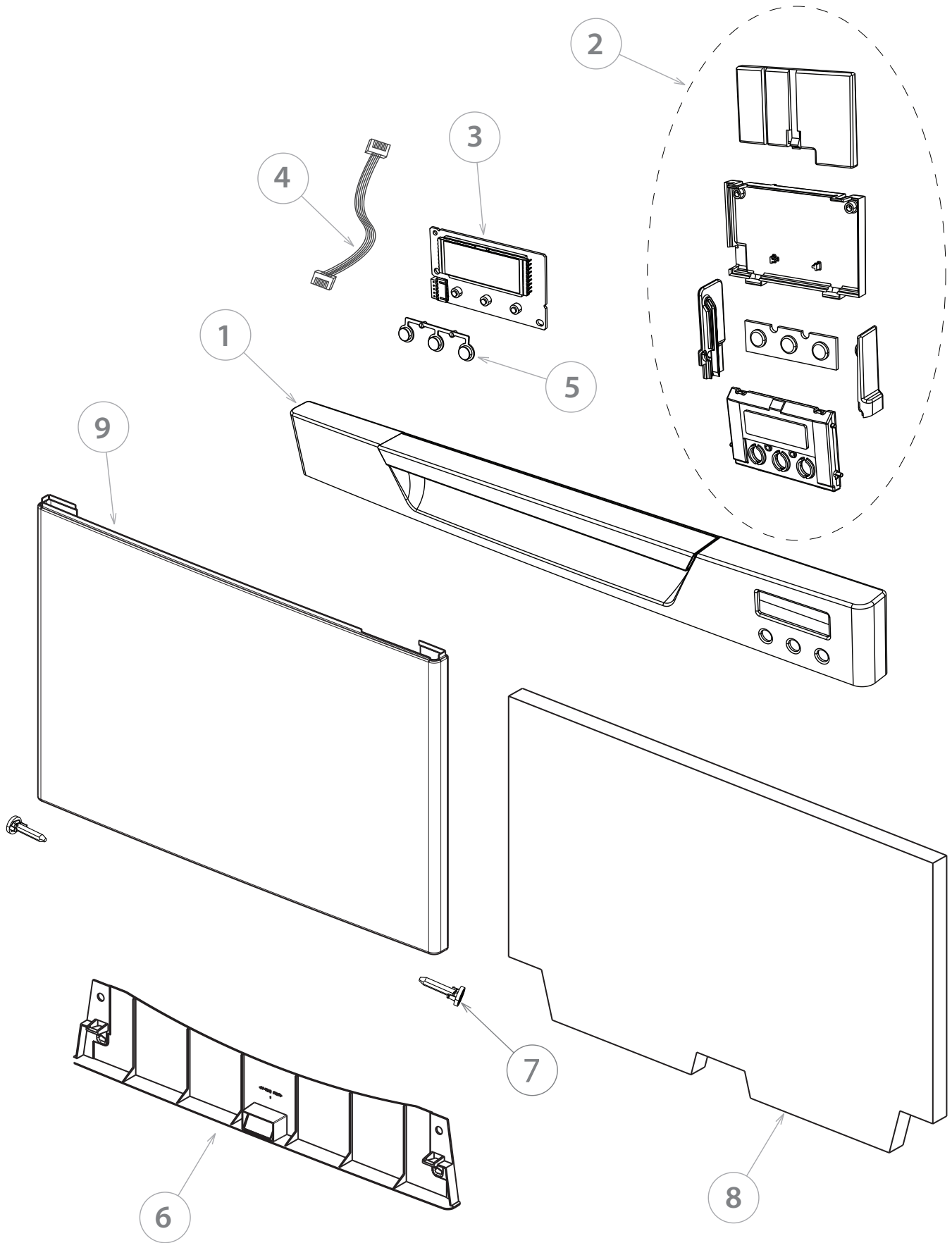
<i>italics</i>	Kit components or parts included are shown in italics. Refer to above notes: Kit Parts.
NI	As a part reference, indicates the part is not illustrated on the diagram.
NOT USED	As a part number, indicates the diagram part reference is not used in this manual.

FRONT PANELS/CONTROLS	3
CABINET ASSEMBLY	5
LID & LINK ASSEMBLY	9
TUB & COMPONENTS	11
BASKET & RACKS	15
INSTALLATION COMPONENTS	17

Fisher & Paykel Appliances Inc.
5900 Skylab Road
Huntington Beach
CA 92647

toll free: 1.888.9.FNP.USA (1.888.936.7872)
fax: 949.790.8913
email: customer.care@fisherpaykel.com

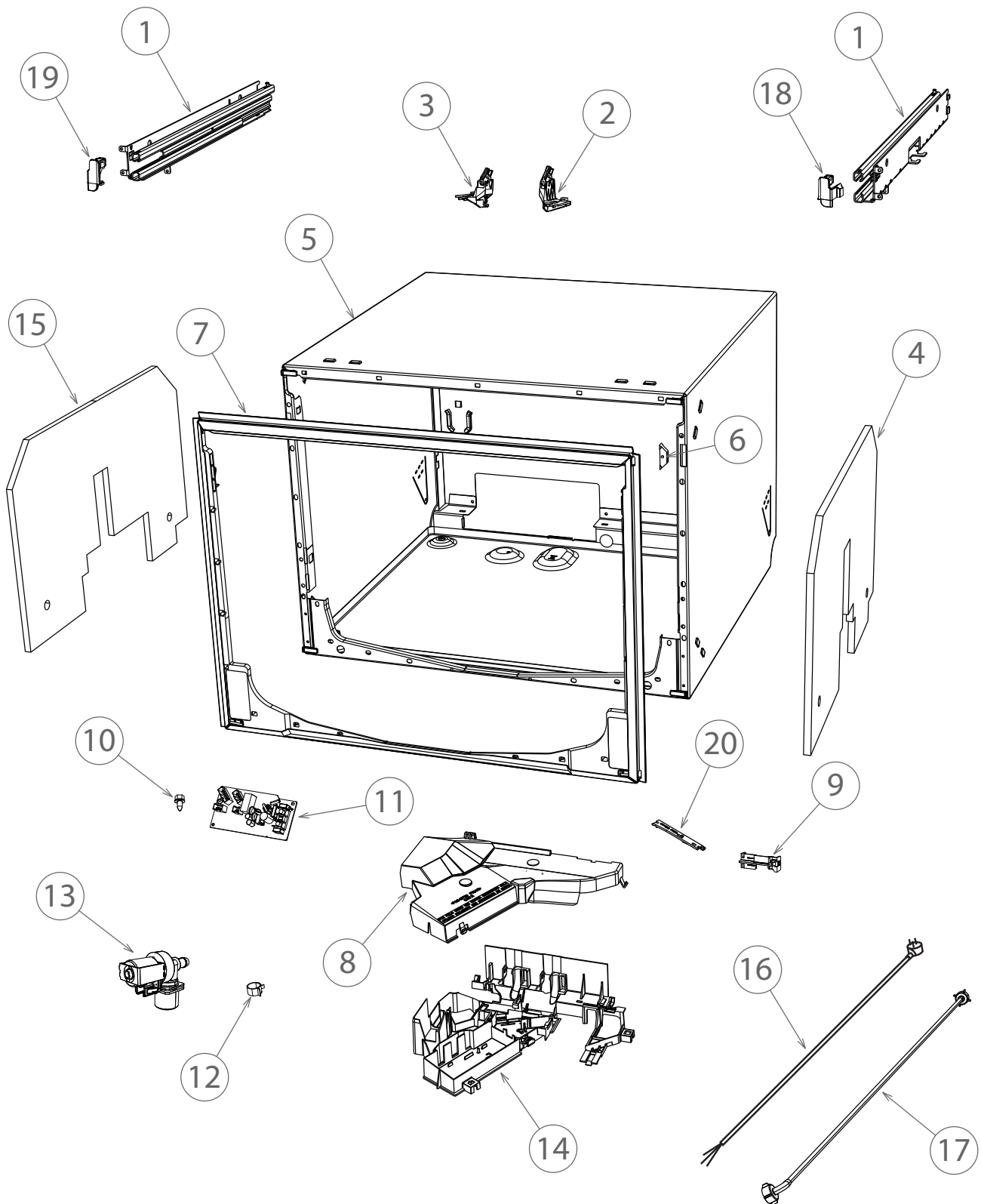
3 FRONT PANELS/CONTROLS



REF.	PART NUMBER	PART DESCRIPTION
1	510695	KIT HANDLE ASSY PH7 V2 SS
	<i>Includes</i>	<i>HANDLE SCRBOSS CLSC 607 SILVER</i>
	<i>Includes</i>	<i>HANDLE GRIP SCRBOSS CLSC 608V</i>
	<i>Includes</i>	<i>ANCHOR HANDLE CLASSIC 606</i>
	<i>Includes</i>	<i>COVER GRIP CLSC 608V SS</i>
2	522899	KIT LCD HOUSING DD 606
	<i>Includes</i>	<i>SEAL BUTTONS LCD CLASSIC</i>
	<i>Includes</i>	<i>HOUSING LCD BACK CLASSIC 606</i>
	<i>Includes</i>	<i>GUIDE LCD ASSY CLASSIC LH</i>
	<i>Includes</i>	<i>GUIDE LCD ASSY CLASSIC RH</i>
	<i>Includes</i>	<i>WEDGE HOUSING LCD CLASSIC</i>
	<i>Includes</i>	<i>LENSE LCD CLASSIC 606</i>
3	522452	MODULE LCD 525CLASSIC BL NROHS
4	529854	HARNESS BADGE ISOLATOR 605
5	510593	BUTTONS LCD CLASSIC V2 SS
6	522469P	KIT INSERT DOOR 606 CLSC
7	524781	PIN DOOR MID GREY
8	522616	INSUL DOOR 606 CLSC 820 UPPER
9	522909	KIT DOOR ASSY UPPER TALL SX
	<i>Includes</i>	<i>DOOR UPR TALL 606 CLASSIC SX</i>
	<i>Includes 522469</i>	<i>INSERT DOOR 6060 CLASSIC</i>
	<i>Includes</i>	<i>BRACKET INT SHIELD RH ROHS</i>
	<i>Includes</i>	<i>BRACKET INT SHIELD LH ROHS</i>
	<i>Includes 546692</i>	<i>SCREW ST 8X12MM TAB MTS</i>
NI	524177P	DEFLECTOR DRYING DD60 SPARE



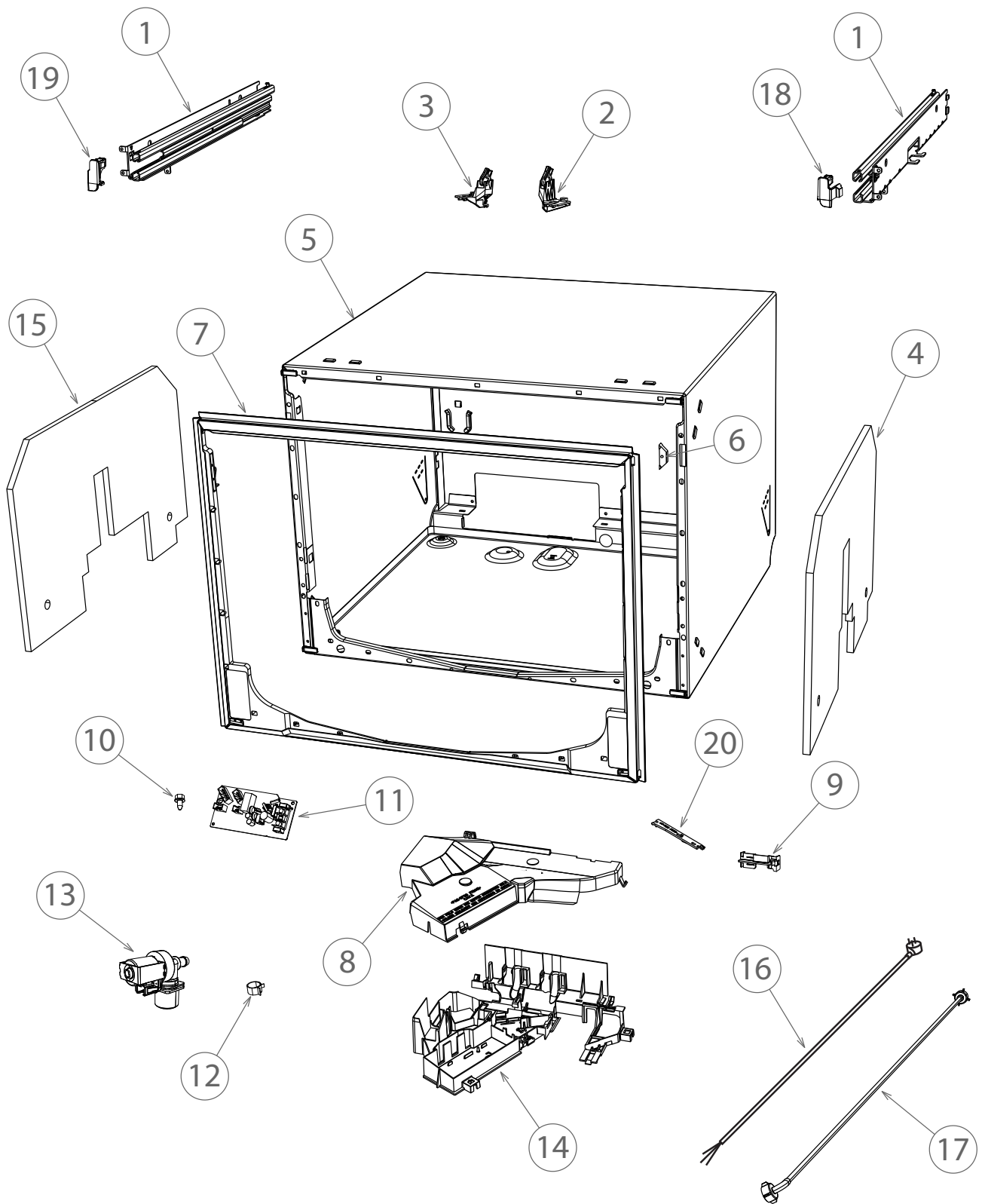
5 CABINET ASSEMBLY



REF.	PART NUMBER	PART DESCRIPTION
1	524116P	KIT BRACKET SLIDE RH & LH ASSY
	<i>Includes</i>	<i>BRACKET SLIDE RH ASSY X 1</i>
	<i>Includes</i>	<i>BRACKET SLIDE LH ASSY X 1</i>
	<i>Includes 556607</i>	<i>SCREW MC M5X10 TAPTITE X 6</i>
	<i>Includes</i>	<i>INSTR SHT SLIDE BRACKET SPARE KIT</i>
NI	556607P	SCREW MC M5X10 TAPTITE (PKT 10)
2	522584	LATCH ASSY RH DD 606
3	522585	LATCH ASSY LH DD 606
4	522443	INSULATION CHASSIS TOP TALL
5	522917	KIT REPLACE CHASSIS DD60ST6
	<i>Includes</i>	<i>CHASSIS SINGLE ASSY GALV</i>
	<i>Includes</i>	<i>INSTR SHT CHASSIS REPLACE PH3/5/6</i>
	<i>Includes</i>	<i>TAB TOP (2)</i>
	<i>Includes</i>	<i>INSTALL TAB TTA (2)</i>
	<i>Includes</i>	<i>INSTALL TAB TTB (2)</i>
	<i>Includes 522179</i>	<i>TRIM DDTALL COMOULD</i>
	<i>Includes 523277</i>	<i>PRISM TUB HOME 2MM LOW</i>
	<i>Includes</i>	<i>CORNER PLUG TRIM DD60T6 TALL</i>
6	523277	PRISM TUB HOME 2MM LOW
7	522994	KIT TRIMSEAL DD60ST
	<i>Includes 522179</i>	<i>TRIM DDTALL COMOULD</i>
	<i>Includes 523277</i>	<i>PRISM TUB HOME 2MM LOW</i>
	<i>Includes</i>	<i>CORNER PLUG TRIM DD60T6 TALL</i>
8	527732	COVER MAINS FILTER
9	526250	RETAINER LINK
10	556082P	SCREW ST M4X12 XTITE HXW (PKT 10)
11	523247P	MOD CHAS 525 P5-1 SGL 120V
12	525466	CLAMP HOSE HERBIE TYPE E
13	529827	VALVE INLET SINGLE 605
14	522143	KIT HOUSING MAINS FILTER ASSY 605
	<i>Includes</i>	<i>HOUSING MAINS FILTER 605</i>
	<i>Includes 527727</i>	<i>GROMMET 605 CHASSIS MODULE</i>
	<i>Includes 526250</i>	<i>RETAINER LINK (2)</i>
NI	556607P	SCREW MC M5X10 TAPTITE PKT10
15	528822	INSULATION CHASSIS SINGLE
16	529695	FLEX MAINS 605 US



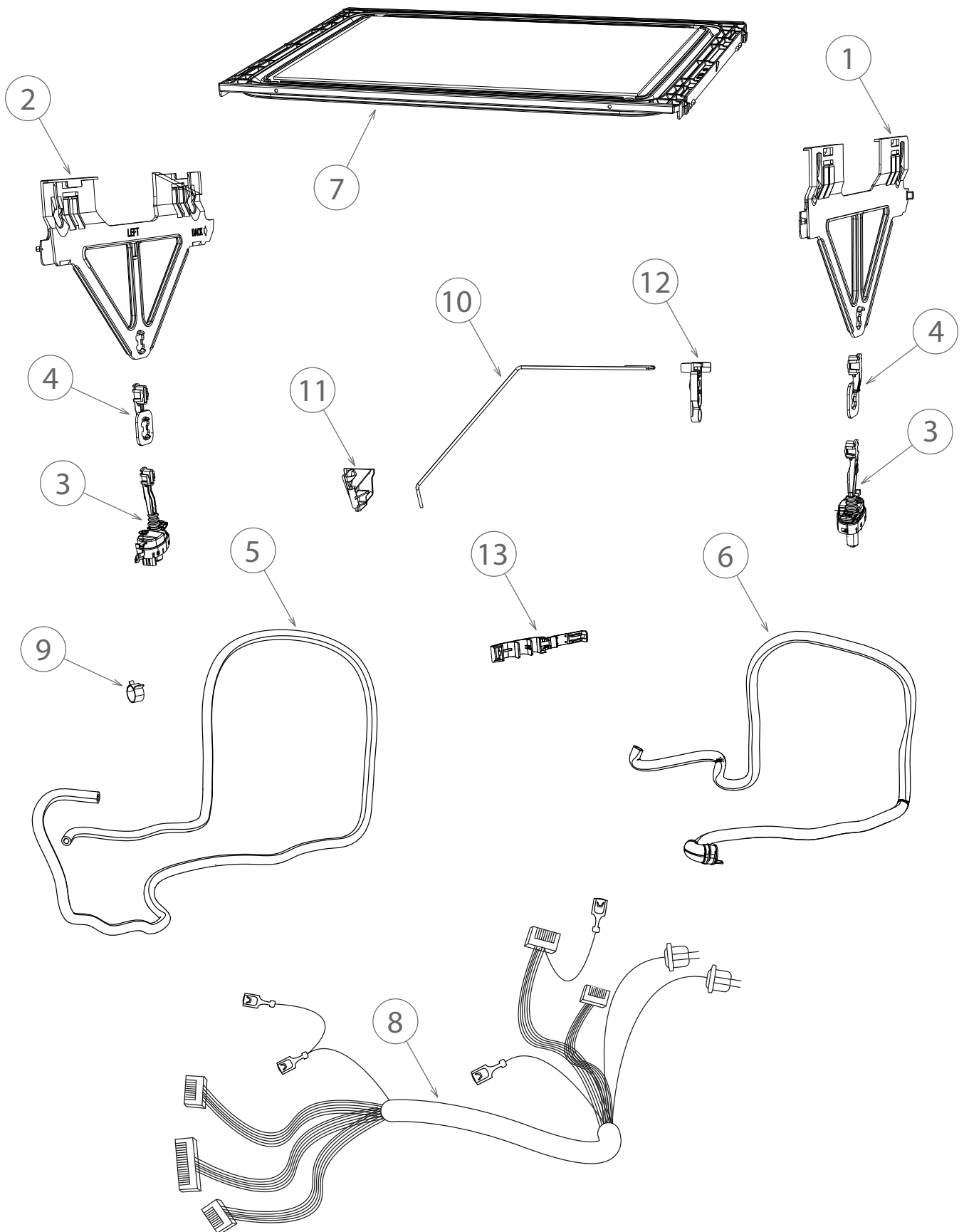
7 CABINET ASSEMBLY



REF.	PART NUMBER	PART DESCRIPTION
NI	532017	TERM STRIP SADDLE NIPL
NI	556607P	SCREW MC M5X10 TAPTITE (PKT 10)
17	525970	HOSE INLET WIRSBO US
NI	525938P	WASHER WIRSBO US (PKT 10)
NI	526161	ADAPTOR HOSE INLET US
18	524783	CLIP TUB RELEASE RH MID GREY
19	524782	CLIP TUB RELEASE LH MID GREY
20	527727	GROMMET 605 CHASSIS MODULE



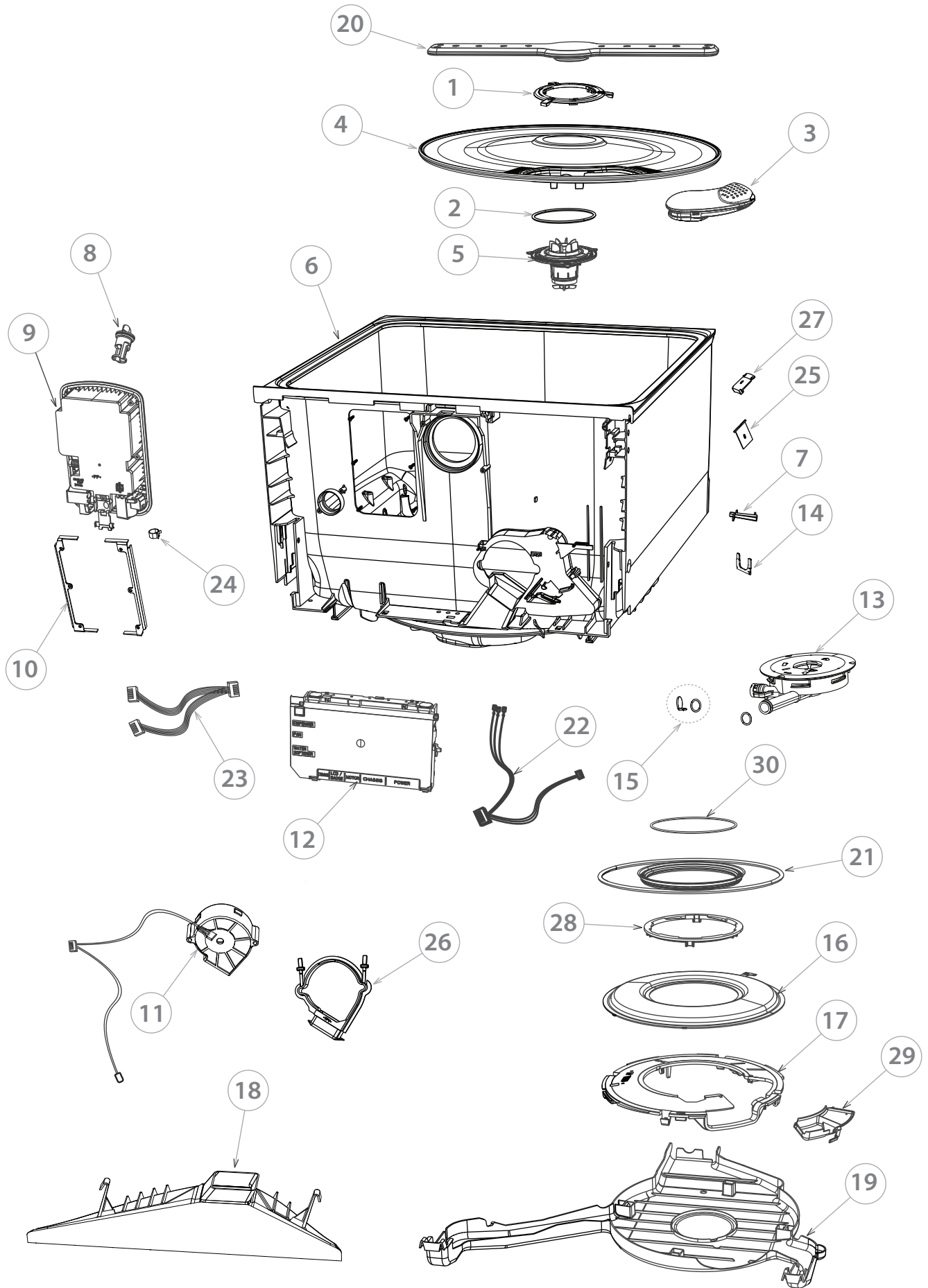
9 LID & LINK ASSEMBLY



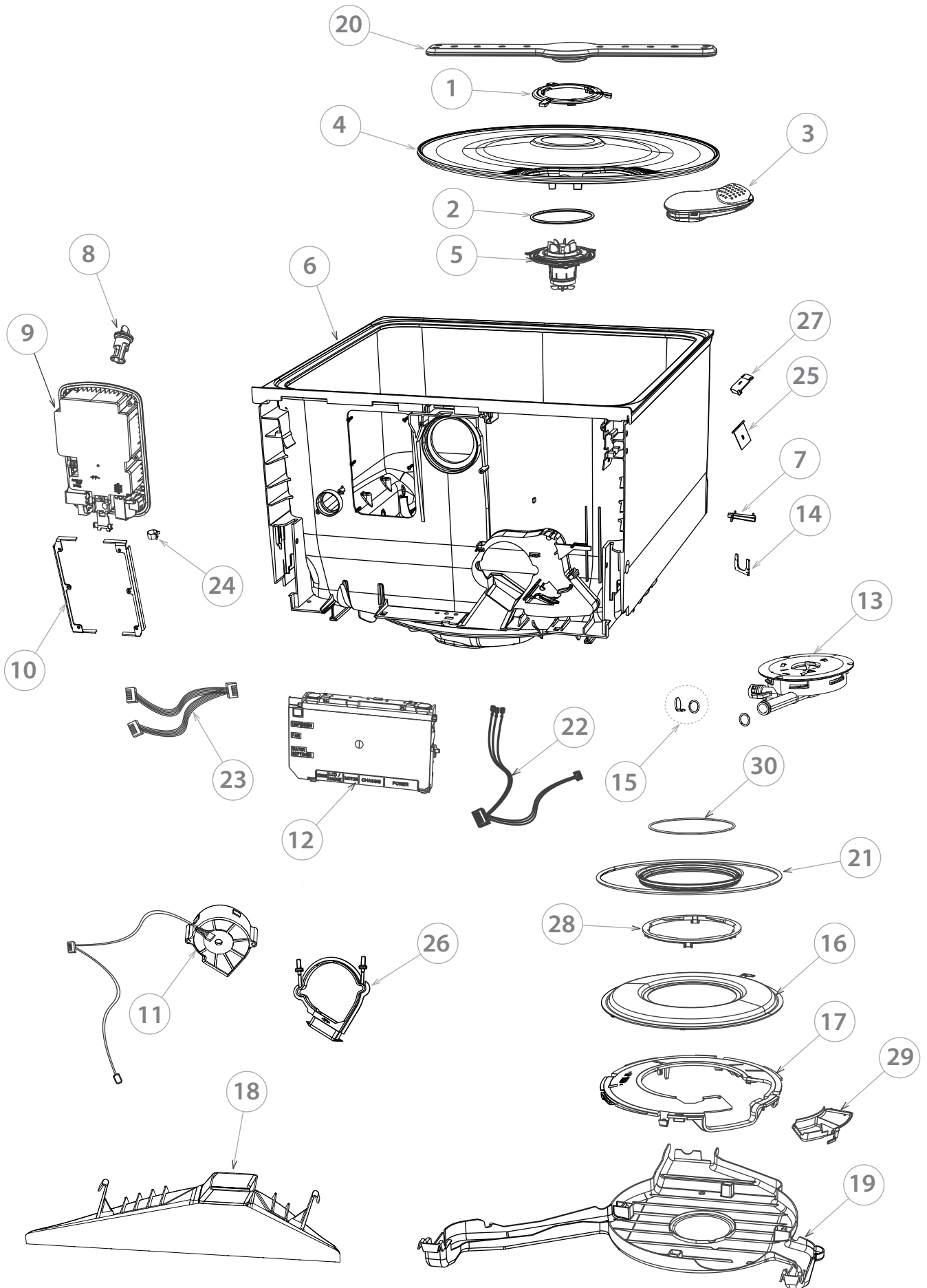
REF.	PART NUMBER	PART DESCRIPTION
1	529969	LID YOKE RIGHT
2	529970	LID YOKE LEFT
3	522085	KIT LID ACTUATORS 605 (PKT 2)
4	522296P	KIT ADAPTOR LID YOKE TALL TUB (PKT 2)
5	526837	HOSE FILL LOWER
6	522086	KIT DRAIN HOSE 605
	<i>Includes</i>	<i>O RING CUFF SOCKET UL REC</i>
	<i>Includes</i>	<i>HOSE DRAIN UPPER ASSY 605</i>
	<i>Includes</i>	<i>FLAP VALVE DRAIN 605</i>
NI	525798	KIT DRAIN HOSE EXTENSION 3.6M
	<i>Includes</i>	<i>DRAIN HOSE EXTENSION (2)</i>
	<i>Includes 525482</i>	<i>CLIP WIRE DRAIN (4)</i>
	<i>Includes</i>	<i>DRAIN HOSE JOINER (2)</i>
NI	527394	KIT DRAIN HOSE JOINER
	<i>Includes 525482</i>	<i>CLIP WIRE DRAIN (2)</i>
	<i>Includes</i>	<i>DRAIN HOSE JOINER</i>
7	529964P	LID ASSY PH5
8	522536	HARNESS CHASSIS LOWER DD60
9	528674	CLAMP HOSE TYPE 12232-17-4
10	528095	ROD LINK SUPPORT
11	528101	BRACKET LINK SUPPORT
12	528162	CLIP LINK SUPPORT
13	528537P	CLIP LINK TUB SIDE (PKT 10)



11 TUB & COMPONENTS



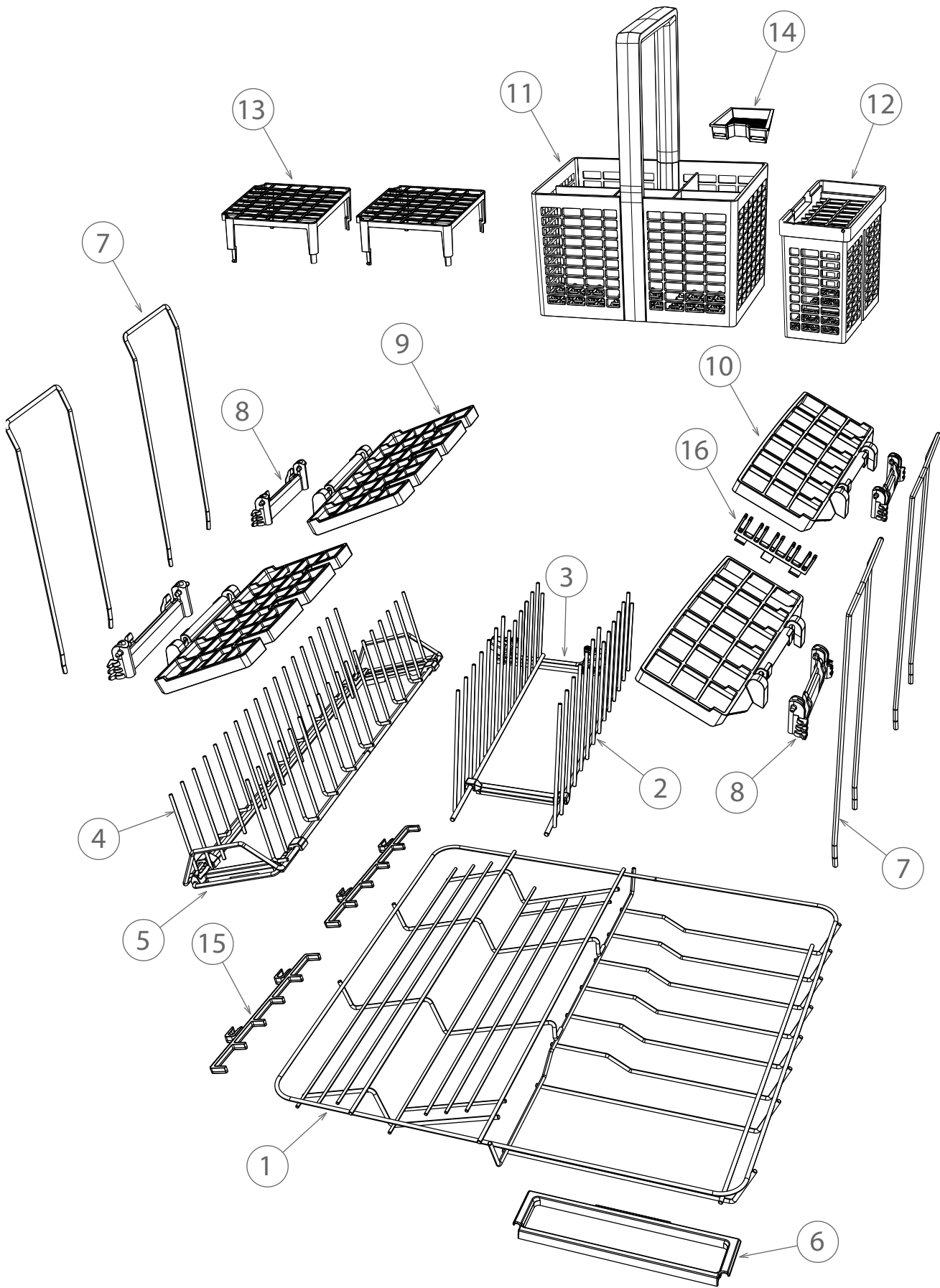
REF.	PART NUMBER	PART DESCRIPTION
1	524845	LOCKNUT FPLATE MID GREY
2	523049	O RING 238 SILICONE 40
3	524828	DRAIN FILTER ASSY FPOM 607 V2
4	524888	KIT FILTER PLATE OMOLD 60 MID
	<i>Includes</i>	<i>FILTER PLATE OVERMOULD ASSY</i>
	<i>Includes 524845</i>	<i>LOCK NUT FPLATE MID GREY</i>
5	528136P	MOTOR ROTOR ASSY 605 SP
6	524763P	KIT TUB TALL W/A 60T7 TXT ECO
7	528276	LIGHT PIPE TUB HOME 605
8	524837	BUNG ASSY DISPENSER R/AID MID GREY
9	524887	KIT DISPENSER MID GREY
	<i>Includes</i>	<i>DISPENSER DISHDRAWER MID GREY</i>
	<i>Includes 526789</i>	<i>BRACKET DISPENSER SHORT (2)</i>
NI	556155P	SCREW M3.5X14 PANTX K35 (PKT 10)
10	526789	BRACKET DISPENSER SHORT
11	522006	HARNESS & FAN ASSY
12	523725USP	MOD CTRL 525 P7 DD60 120V
NI	529041	PANEL CONTROLLER 605
13	522088	KIT MOTOR ASSY PH5
	<i>Includes</i>	<i>MOTOR ASSY COMP PH5</i>
	<i>Includes 525058</i>	<i>SEAL HEATER PLATE/TUB</i>
	<i>Includes 525940</i>	<i>O RING CUFF SOCKET UL REC</i>
	<i>Includes 522178</i>	<i>O RING 208 DRAIN INLET</i>
	<i>Includes 529169</i>	<i>SEAL ELEMENT INNER 605</i>
	<i>Includes 529194</i>	<i>FLAP VALVE DRAIN 605</i>
	<i>Includes 522154</i>	<i>SHIM MOTOR ASSY 605</i>
	<i>Includes</i>	<i>INSTRUCTIONS SHIM MOTOR ASSY</i>
14	528785P	HALL SENSOR PCB ASSY 605 ROHS
15	522150	KIT FLAP VALVE/O RING 605 (PKT 2)
	<i>Includes</i>	<i>FLAP VALVE DRAIN 605 (2)</i>
	<i>Includes</i>	<i>O RING CUFF SOCKET UL REC (2)</i>
16	522091	KIT HEATER PLATE 605 110V
	<i>Includes</i>	<i>HEATER PLATE 605 110V</i>
	<i>Includes 525058</i>	<i>SEAL HEATER PLATE/TUB</i>
	<i>Includes 525940</i>	<i>O RING CUFF SOCKET UL REC</i>
	<i>Includes 522178</i>	<i>O RING 208 DRAIN INLET</i>



REF.	PART NUMBER	PART DESCRIPTION
	<i>Includes 529169</i>	SEAL ELEMENT INNER 605
	<i>Includes 529194</i>	FLAP VALVE DRAIN 605
	<i>Includes 522154</i>	SHIM MOTOR ASSY 605
	<i>Includes</i>	INSTRUCTIONS SHIM MOTOR ASSY
17	529151	LOCKNUT OUTER 605
18	522578	EXIT DUCT ASSY
19	529152	COVER WIRING CO-MOULD 605
20	524786	SPRAY ARM ASSY 607 V2
21	522089	KIT SEAL WASH 605
	<i>Includes 525058</i>	SEAL HEATER PLATE/TUB
	<i>Includes 525940</i>	O RING CUFF SOCKET UL REC
	<i>Includes 522178</i>	O RING 208 DRAIN INLET
	<i>Includes 529169</i>	SEAL ELEMENT INNER 605
	<i>Includes 529194</i>	FLAP VALVE DRAIN 605
	<i>Includes 522154</i>	SHIM MOTOR ASSY 605
	<i>Includes</i>	INSTRUCTIONS SHIM MOTOR ASSY
22	529683	HARNESS MOTOR PH5
23	526263	HARNESS DISPENSER PH3
24	528674	CLAMP HOSE TYPE 12232-17-4
25	528063	FLAP VALVE FAN HOUSING 605
26	529039	ISOLATION DRYING FAN 605
27	528064	RETAINER FLAP FAN HOUSING 605
28	522163	KIT LOCKNUT INNER
	<i>Includes</i>	LOCK NUT INNER 605
	<i>Includes 522154</i>	SHIM MOTOR ASSY 605
	<i>Includes</i>	INSTRUCTIONS SHIM MOTOR ASSY
29	529157	COVER CONNECTOR ELEMENT 605
30	522154P	SHIM MOTOR ASSY 605



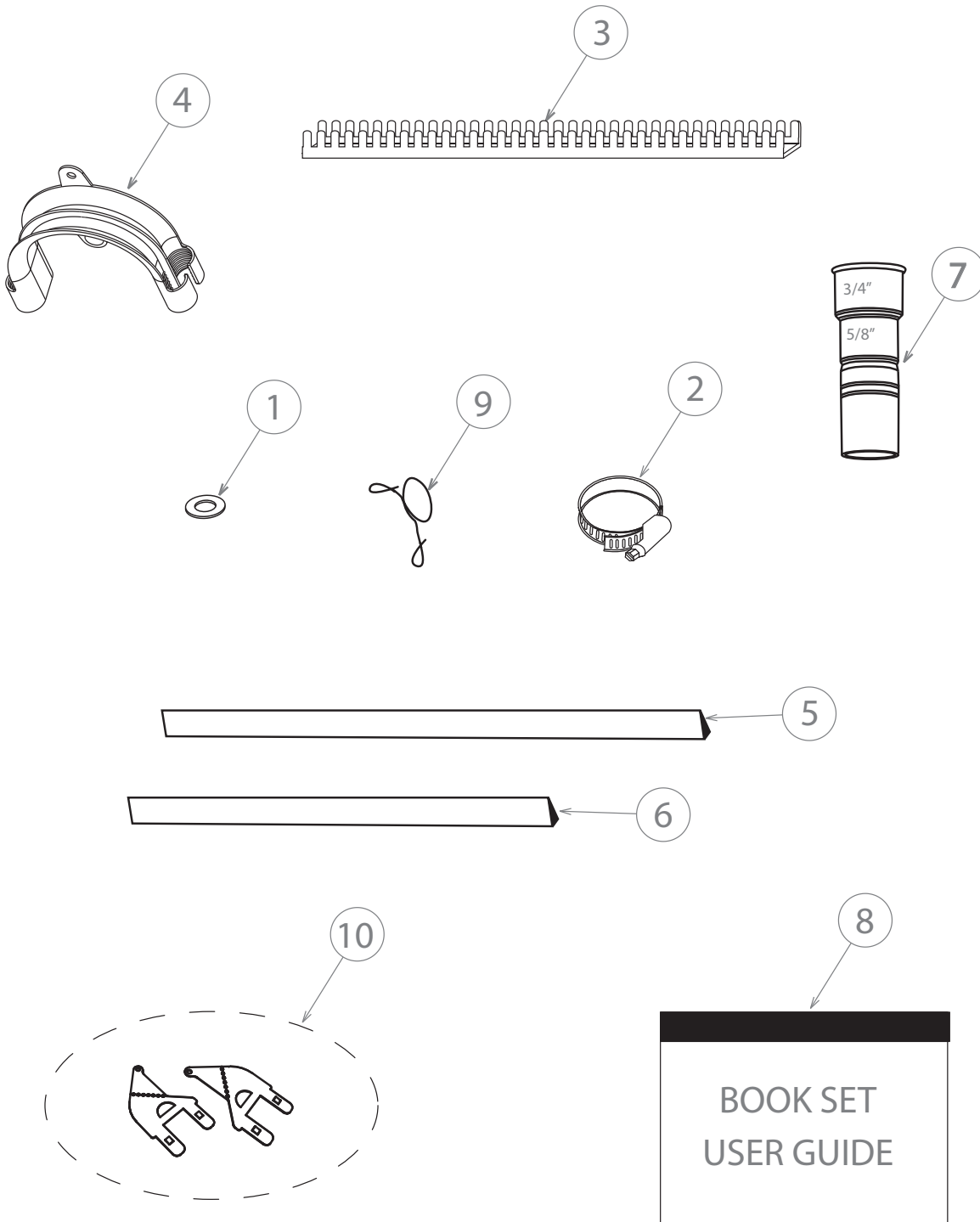
15 BASKET & RACKS



REF.	PART NUMBER	PART DESCRIPTION
1	522657	BASE RACK ASSY 606
2	523627	CROCK INSERT MP 7PS
	<i>Includes</i>	<i>COMB LHS MP 7PS CTD</i>
	<i>Includes</i>	<i>COMB RHS MP 7PS CTD</i>
	<i>Includes</i>	<i>CLIP FRONT FOLDDOWN 94</i>
	<i>Includes</i>	<i>CLIP LOCKED FOLDDOWN</i>
3	524146	KIT CLIP FRONT/BACK FD PH7
	<i>Includes</i>	<i>CLIP LOCKED FOLDDOWN</i>
	<i>Includes</i>	<i>CLIP FRONT FOLDDOWN 94</i>
4	523649	CROCK INS PA 60 ASSY
	<i>Includes</i>	<i>COMB PA FIXED 60 CTD</i>
	<i>Includes</i>	<i>COMB PA MOVING 60 CTD</i>
	<i>Includes</i>	<i>CLIP PA FRONT 60</i>
	<i>Includes</i>	<i>CLIP PA BACK 60</i>
5	524147	KIT CLIP FRONT/BACK PA
	<i>Includes</i>	<i>CLIP PA FRONT 60</i>
	<i>Includes</i>	<i>CLIP PA BACK 60</i>
6	523665	TRAP DOOR 48MM PHASE 7
7	522682	WIRE SUPPORT CUP RACK TALL
8	522694P	CLIP CUPRACK SEMIFLEX (PKT 4)
9	524179	RACK CUP LH DD60 100MM ASSY
	<i>Includes 522694</i>	<i>CLIP CUPRACK SEMIFLEX</i>
10	524180	RACK CUP RH DD60 80MM ASSY
	<i>Includes 522694</i>	<i>CLIP CUPRACK SEMIFLEX</i>
11	523404	CUTLERY BASKET 60 ASSY
12	522687	CONTAINER CUTLERY BASKET ASSY
	<i>Includes</i>	<i>CONTAINER CB901</i>
	<i>Includes</i>	<i>CONTAINER LID CB 901</i>
13	523488	ST INSERT C BASKET 60
14	523447	TABLET INSERT C 60
15	522691P	SUPPORT GLASS CLIPON (PKT 2)
16	523326	DD KNIFE CLIP COMBINED



INSTALLATION COMPONENTS



REF.	PART NUMBER	PART DESCRIPTION
1	525938P	WASHER WIRSBO US (PKT 10)
2	528690	CLAMP HOSE DIA 32-14
3	525935	EDGE 160MM 22PKG020 UHMWPE US
4	525477	SUPPORT DRAIN HOSE
5	526772	TRIM CAVITY SIDE SGL CHARCL US
6	526773	TRIM CAVITY TOP CHARCL US
7	529075	DRAIN HOSE JOINER SGL US
8	590211	BOOK SET USER PH7 DES TXT US FP
	<i>Includes</i>	<i>QUICK START PH7 DES TXT AA US</i>
	<i>Includes</i>	<i>QUICK START PH7 DES TEXT CA FR</i>
	<i>Includes</i>	<i>BOOK USER DISHDRAWER PH7 (EN)</i>
	<i>Includes</i>	<i>BOOK USER DISHDRAWER PH7 (FR)</i>
	<i>Includes</i>	<i>BOOK SERVICE & WARR'TY FP/EL</i>
9	525482P	CLIP WIRE DRAIN (PKT 2)
10	524171	KIT INSTALL TAB SGL DISHDRAWER
	<i>Includes</i>	<i>INSTALL TAB TTA (2)</i>
	<i>Includes</i>	<i>INSTALL TAB TTB (2)</i>
	<i>Includes</i>	<i>SCREW WS 8X5/8TWINFST MTSPH ZP (6)</i>
NI	522865	KIT INSTAL DBL/SGL PH5/PH6 US
	<i>Includes 525477</i>	<i>SUPPORT DRAIN HOSE</i>
	<i>Includes 525482</i>	<i>CLIP WIRE DRAIN (2)</i>
	<i>Includes 529872</i>	<i>DRAIN HOSE JOINER DBL US</i>
	<i>Includes 529075</i>	<i>DRAIN HOSE JOINER SGL US</i>
	<i>Includes 525938</i>	<i>WASHER WIRSBO US</i>
	<i>Includes 528690</i>	<i>CLAMP HOSE DIA 32-14</i>
	<i>Includes</i>	<i>SCREW WS 8X5/8 TWIN FAST (7)</i>
	<i>Includes 525935</i>	<i>EDGE 160MM 22PKG020 UHMWPE US</i>
	<i>Includes 526797</i>	<i>TAB TOP (2)</i>
	<i>Includes</i>	<i>FOOT TOOL 605</i>
	<i>Includes</i>	<i>FOOT TOOL 45MM 605</i>
	<i>Includes</i>	<i>INSTALL TAB TTA (2)</i>
	<i>Includes</i>	<i>INSTALL TAB TTB (2)</i>
	<i>Includes</i>	<i>CORNER PLUG TRIM DDTALL (4)</i>
	<i>Includes 527228</i>	<i>KIT TAPE UNDERBENCH</i>
NI	590397	BOOK SET INSTL DD24 PH7 US CA
NI	522794	CARTON SLEEVE DD REPACK DD60S6
NI	524085	KIT BRACKET CAVITY PH7



www.fisherpaykel.com

Fisher & Paykel

Copyright © Fisher & Paykel 2014. All rights reserved.
The product specifications in this manual apply to the specific model described at the date of issue. Under our policy of continuous product improvement, these specifications may change at any time. Only use this manual if the product code on the front matches the product code on the serial label of the product.